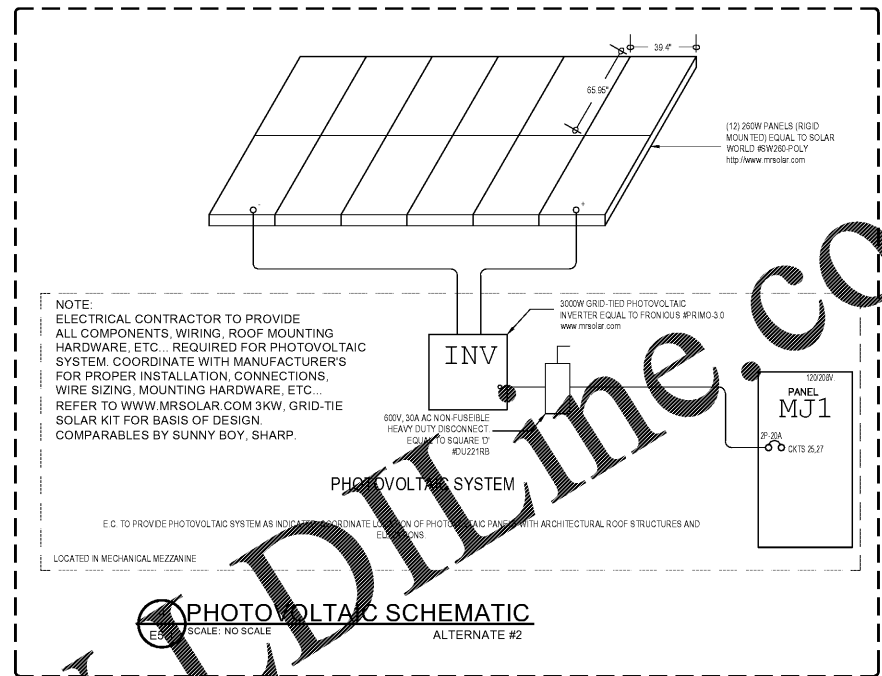


NOTE: THIS IS A TYPICAL DETAIL AND DOES NOT SHOW EACH AND EVERY DEVICE THAT MAY BE INCLUDED OR REQUIRED BY CODE. REFER TO THE FLOOR PLAN DRAWINGS, SPECIFICATIONS AND OTHER DETAILS WHICH MAY MORE ACCURATELY DEPICT FIELD CONDITIONS AND LAYOUT. THESE ARE GENERAL LOCATIONS AND MOUNTING HEIGHTS MEANT TO AID THE CONTRACTOR. IT DOES NOT RELIEVE THE CONTRACTOR FROM COORDINATING WITH LOCAL AND NATIONAL CODES, ACTUAL PROJECT PLANS, ARCHITECTURAL FURNITURE AND EQUIPMENT HEIGHT PLANS, NOR OWNER'S STANDARDS, TYPICAL.

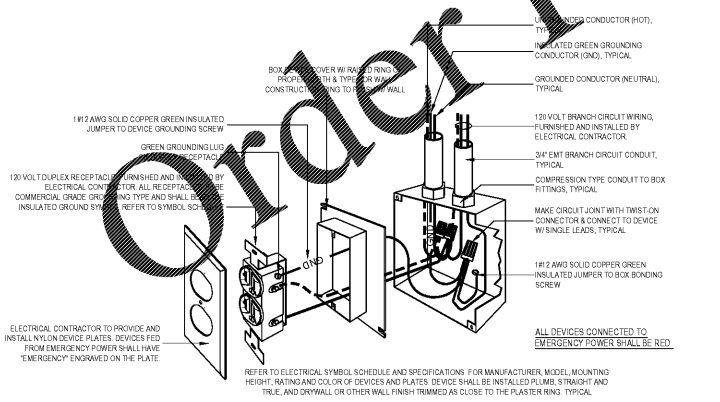
- 1 TYPICAL OVERHEAD CABINET. REFER TO CASEWORK DRAWINGS AND DETAILS
- 2 TYPICAL BASE CABINET WITH SINK. REFER TO CASEWORK DRAWINGS AND DETAILS
- 3 TYPICAL GFCI RECEPTACLE MOUNTED 2" ABOVE TOP OF BACK SPLASH TO THE BOTTOM OF BOX. COORDINATE WITH BASE CABINET WITH SINK. PROVIDE PHENOLIC CIRCUIT LABEL.
- 4 TYPICAL SWITCH LOCATION FOR UC LIGHT MOUNT IN ALIGNMENT WITH RECEPTABLES
- 5 TYPICAL UNDER CABINET LIGHTING. VERIFY LENGTH, CONNECTION AND MOUNTING PRIOR TO RELEASING FIXTURE ORDER. SEE FIXTURE SCHEDULE
- 6 TYPICAL A.D.A. WALL SCONCE MOUNTED AT 6'-6" AFF UNLESS OTHER WISE NOTED ON THE DWGS. SEE FIXTURE SCHEDULE
- 7 TYPICAL RECEPTACLE MOUNTED 18" AFF AND WITHIN 6" OF BASIN MUST BE GFCI EXCEPT FOR ISOLATED POWER APPLICATIONS. PROVIDE PHENOLIC CIRCUIT LABEL.
- 8 TYPICAL TELEPHONE ONLY OUTLET MOUNTED 18" AFF TO TOP
- 9 TYPICAL DATA/TELEPHONE OUTLET MOUNTED 18" AFF TO TOP
- 10 TYPICAL DATA ONLY OUTLET MOUNTED 18" AFF TO TOP
- 11 TYPICAL DUPLEX RECEPTACLE ON NORMAL POWER. OUTLET MOUNTED 18" AFF TO TOP. PROVIDE PHENOLIC CIRCUIT LABEL.
- 12 TYPICAL OVER THE MIRROR LIGHT MOUNTED 6" ABOVE MIRROR UNLESS OTHER WISE NOTED ON THE DWGS. SEE FIXTURE SCHEDULE
- 13 TYPICAL POWER GFCI RECEPTACLE MOUNTED 42" AFF WITHIN 12" OF LAVATORY. PROVIDE PHENOLIC CIRCUIT LABEL.
- 14 TYPICAL CEILING MOUNTED AREA TYPE ADDRESSABLE SMOKE DETECTOR. CENTERED IN CEILING TILE 15" FROM END OF CORRIDOR AND 30" ON CENTER MAXIMUM. CONNECT TO FIRE ALARM SYSTEM COMPLETE.
- 15 TYPICAL WALL MOUNTED, AREA TYPE ADDRESSABLE SMOKE DETECTOR. MOUNTED WITHIN 12" OF CEILING AND 30" FROM END OF CORRIDOR. CONNECT TO FIRE ALARM SYSTEM COMPLETE.
- 16 TYPICAL WALL MOUNTED, FIRE ALARM VISUAL DEVICE. MOUNTED 6'-6" AFF MINIMUM TO 8'-0" MAXIMUM TO TOP, WHICH EVER IS LOWER. CONNECT TO FIRE ALARM SYSTEM COMPLETE.
- 17 TYPICAL WALL MOUNTED, FIRE ALARM AUDIO-VISUAL DEVICE. MOUNTED MOUNTED 5'-0" AFF MINIMUM TO 8'-0" MAXIMUM WHICH EVER IS LOWER TO TOP. CONNECT TO FIRE ALARM SYSTEM COMPLETE.
- 18 TYPICAL FIRE ALARM ADDRESSABLE PULL STATION MOUNTED AT 48" AFF TO TOP. REFER CONNECT TO FIRE ALARM SYSTEM COMPLETE.
- 19 TYPICAL NORMAL POWER LIGHT SWITCH LOCATION. WHERE MOUNTED ALONE, MOUNT 48" AFF AND 2" OFF STRIKE SIDE OF DOOR JAMB. THREE AND FOUR WAY SWITCH MOUNTING SIMILAR. PROVIDE PHENOLIC CIRCUIT LABEL.
- 20 TYPICAL ELECTRICAL PANELBOARD. MOUNTED AT 6'-6" AFF TO TOP OF PANEL OR MAIN BREAKER. PANEL TO BE MOUNTED WITH A MINIMUM OF 1/4" AIR SPACE BEHIND PANELBOARD. ALL PANELBOARDS SHALL BE "BUNGED COVER" TYPE. PROVIDE OWNER WITH 2 COPIES OF CORRECTED PANEL SCHEDULES FOR HIS USE. PROVIDE PHENOLIC LABELS PER OWNER'S CRITERIA INDICATING PANEL NAME, VOLTAGE PHASE, AND ORIGIN OF POWER FEEDING PANEL.
- 21 TYPICAL ELECTRIC SAFETY/DISCONNECT SWITCH. GENERALLY NEMA 1 ENCLOSURE, OR NEMA 3R WHERE EXPOSED TO WEATHER. PROVIDE PHENOLIC LABELS PER OWNER'S CRITERIA INDICATING LOAD NAME, VOLTAGE PHASE, AND ORIGIN OF POWER FEEDING DISCONNECT. WHERE FEEDING MOTOR OR VIBRATING EQUIPMENT, CONNECT EQUIPMENT WITH FLEXIBLE CONDUIT WITH PROPER SUPPORT.
- 22 TYPICAL CEILING MOUNTED AREA TYPE SMOKE DETECTOR LOCATED IN EACH ELECTRICAL ROOM AND NEAR ELECTRICAL EQUIPMENT. CONNECT TO FIRE ALARM SYSTEM COMPLETE.
- 23 PROVIDE AND INSTALL PHENOLIC LABELS FOR ALL ELECTRICAL EQUIPMENT. SEE DETAIL.

11 TYPICAL DEVICE MOUNTING HEIGHT DETAIL
E5.1 SCALE: NO SCALE

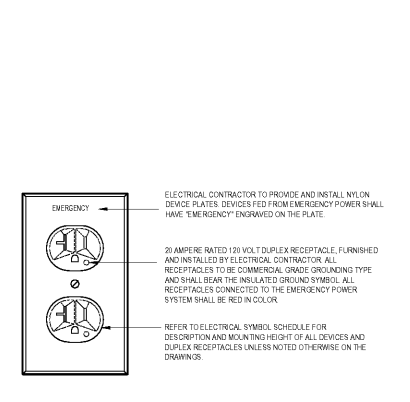


NOTE: ELECTRICAL CONTRACTOR TO PROVIDE ALL COMPONENTS, WIRING, ROOF MOUNTING HARDWARE, ETC., REQUIRED FOR PHOTOVOLTAIC SYSTEM. COORDINATE WITH MANUFACTURER'S FOR PROPER INSTALLATION, CONNECTIONS, WIRE SIZING, MOUNTING HARDWARE, ETC. REFER TO WWW.MRSOLAR.COM 3KW, GRID-TIE SOLAR KIT FOR BASIS OF DESIGN.

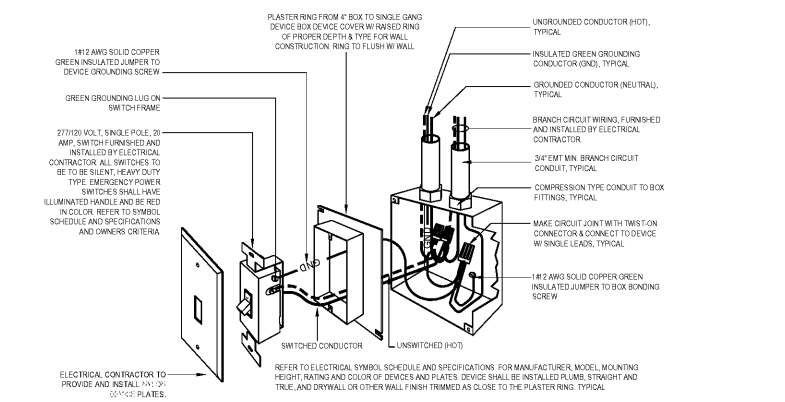
PHOTOVOLTAIC SCHEMATIC
E5.1 SCALE: NO SCALE ALTERNATE #2



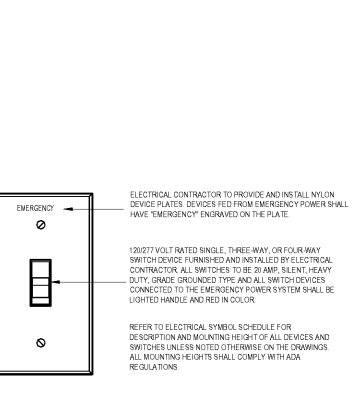
4 120V RECEPTACLE WIRING & GROUNDING DETAIL
E5.1 SCALE: NO SCALE



3 120V RECEPTACLE DETAIL
E5.1 SCALE: NO SCALE



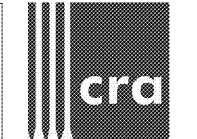
2 LIGHT SWITCH & WIRING DETAIL
E5.1 SCALE: NO SCALE



1 LIGHT SWITCH DEVICE PLATE DETAIL
E5.1 SCALE: NO SCALE

THIS DRAWING IS NOT TO BE SCALE FOR CONSTRUCTION PURPOSES. THE SCALE WHEN INDICATED IS FOR GENERAL REFERENCE ONLY.

Order Plans @ WWW.IDLINE.COM



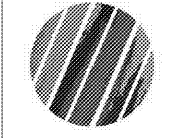
222 cloister court
chapel hill, nc 27514
919.401.8586
www.cra-ae.com



Reece, Noland & McElrath, Inc.
94 Main Street
Canton, North Carolina 28716
Phone: 919.401.8586 Fax: 919.401.8587
www.reece-noland.com



Cedar Ridge High School
Classroom Addition
Orange County Schools
1125 New Grady Brown School Road
Hillsborough, North Carolina



no. revisions

The use of these plans and specifications shall be restricted to the project for which they were prepared. No part of these plans or specifications shall be used for any other project without the written consent of the author. The user assumes all responsibility for any errors or omissions in these plans and specifications. The user shall indemnify and hold the author harmless from any and all claims, damages, and expenses, including reasonable attorneys' fees, arising from the use of these plans and specifications.

drawn JSD
checked JSD

Electrical
Details

sheet

E5.1

project no. 1716

date 4/25/19