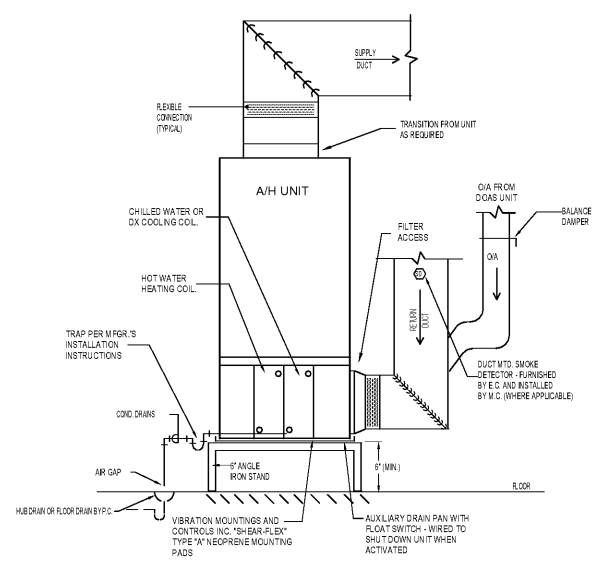
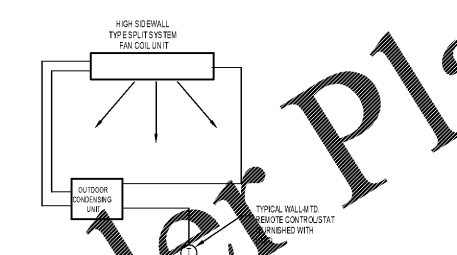


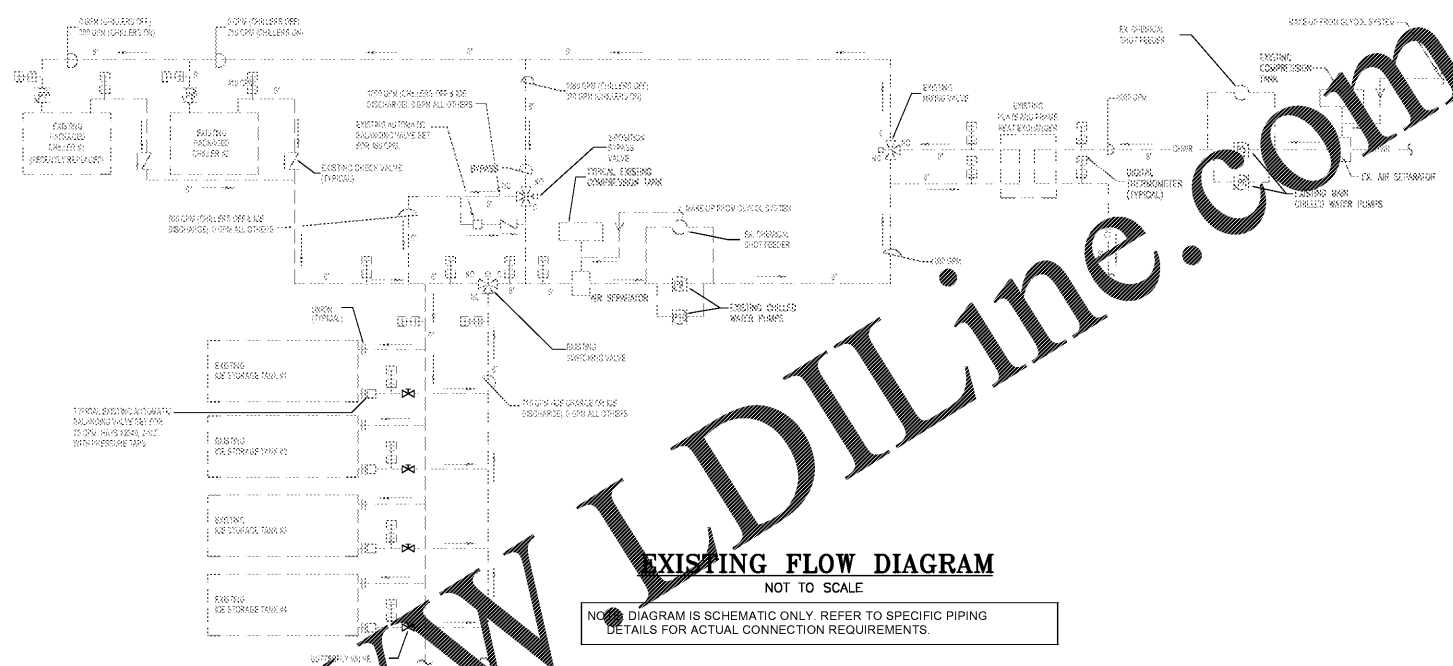
GRAPHIC SCALE 1/4"=1'-0"
 GRAPHIC SCALE 1/8"=1'-0"
 GRAPHIC SCALE 1/16"=1'-0"



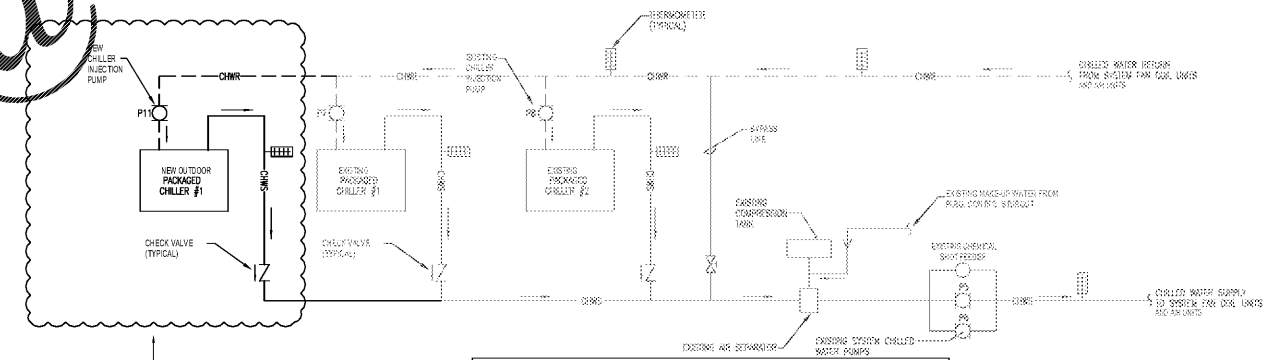
VERTICAL PACKAGED AHU DETAIL
 NOT TO SCALE



TYPICAL SPLIT SYSTEM FAN COIL UNIT



EXISTING FLOW DIAGRAM
 NOT TO SCALE

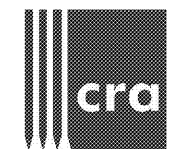


NEW COOLING FLOW DIAGRAM
 NOT TO SCALE

NOTE:
 1. DIAGRAM IS SCHEMATIC ONLY. NOT ALL PIPING IN SYSTEM SHOWN. FOR CLARITY, GENERALLY ICE SYSTEM COMPONENTS (EQUIPMENT, PIPING, CONTROLS AND ICE MODE OPERATION) ARE BEING VALVED-OFF, OVERRIDDEN, AND ABANDONED IN PLACE FOR FUTURE USE (IF DESIRED). REMAINING SYSTEM PIPING (CONTROL ARRANGEMENT) TO BE PRIMARY/SECONDARY AS SHOWN ABOVE. PLEASE COORDINATE EXACT PIPING AND CONTROL ARRANGEMENTS WITH EXISTING CONDITIONS, OTHER DRAWINGS, ETC. PRIOR TO BIDDING AND INSTALLATION.
 2. RECHARGE GLYCOL PERCENTAGE IN CHW LOOP (CHILLER SIDE) TO 25% E.G. AFTER ALL PIPING WORK COMPLETED AND NEW CHILLER TIED IN. EXISTING GLYCOL MAY BE REUSED/RECYCLED.

Order Plans @

WWW.LDILine.com



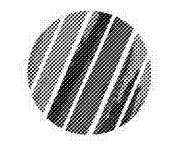
222 cloister court
 chapel hill, nc 27514
 919.401.8586
 www.cra-ae.com



Reece, Noland & McElrath, Inc.
 18 Main Street
 Canton, North Carolina 28716
 PHONE: 919.401.8586 FAX: 919.401.8586
 WWW: WWW.RNMENGINEERS.COM



Cedar Ridge High School
 Classroom Addition
 Orange County Schools
 1125 New Grady Brown School Road
 Hillsborough, North Carolina



no. revisions

The use of these plans and specifications shall be restricted to the project for which they were prepared and no other use without the express written consent of the engineer. The engineer shall not be responsible for any errors or omissions in these plans and specifications, nor for any consequences arising from their use. The contractor shall verify all dimensions and conditions of the site prior to construction.

drawn checked
 DIM MRM
 Mechanical
 Details

sheet
M4.4

project no. 1716

date 4/25/19