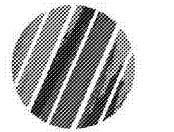


222 cloister
court chapel
hill, nc 27514
919.401.8586
www.cra-ae.com



Cedar Ridge High School
Classroom Addition
Orange County Schools
1125 New Grady Brown School Road
Hillsborough, North Carolina



no.	revisions

The use of these plans and specifications shall be restricted to the original site for which they were prepared and published. They shall not be used for any other project without the express written consent of the architect. No part of these plans and specifications shall be reproduced or transmitted in any form or by any means, electronic, mechanical, photocopying, recording, or by any information storage and retrieval system, without the prior written permission of the architect.

drawn checked
date

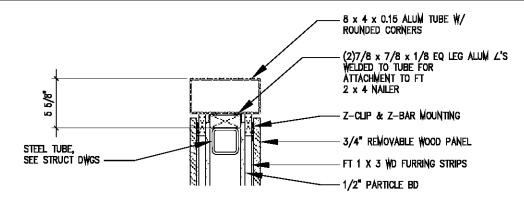
Sections thru
Learning Commons

sheet

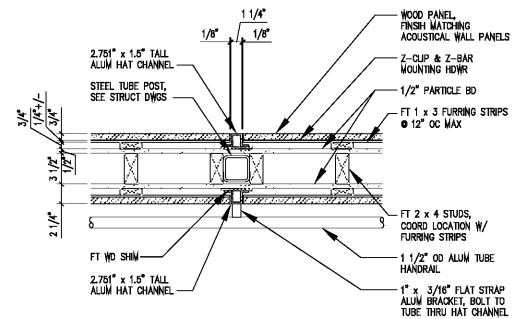
A5.7

project no. 1716

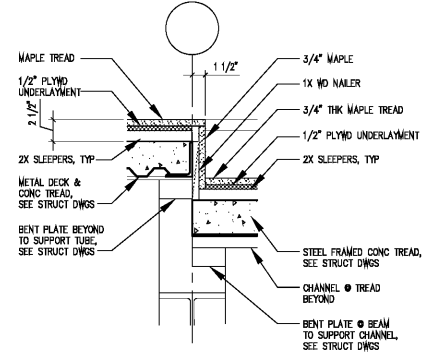
date 4/25/19



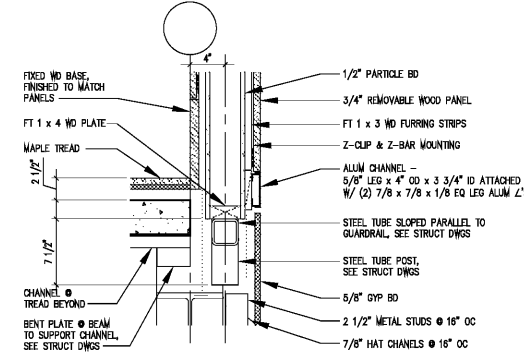
8 Detail Section @ Guard Rail
AS.7 Scale: 1 1/2" = 1'-0"



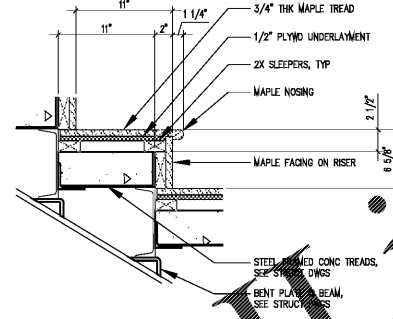
7 Detail @ Post
AS.7 Scale: 1 1/2" = 1'-0"



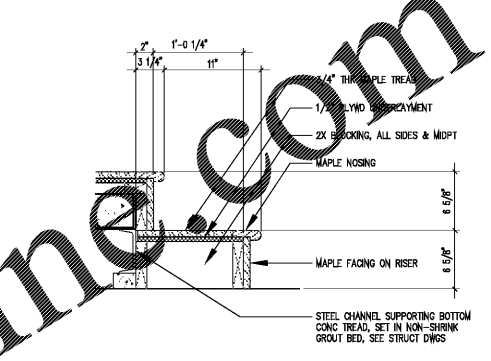
6 Detail Section @ Seating/Stair Stringer
AS.7 Scale: 1 1/2" = 1'-0"



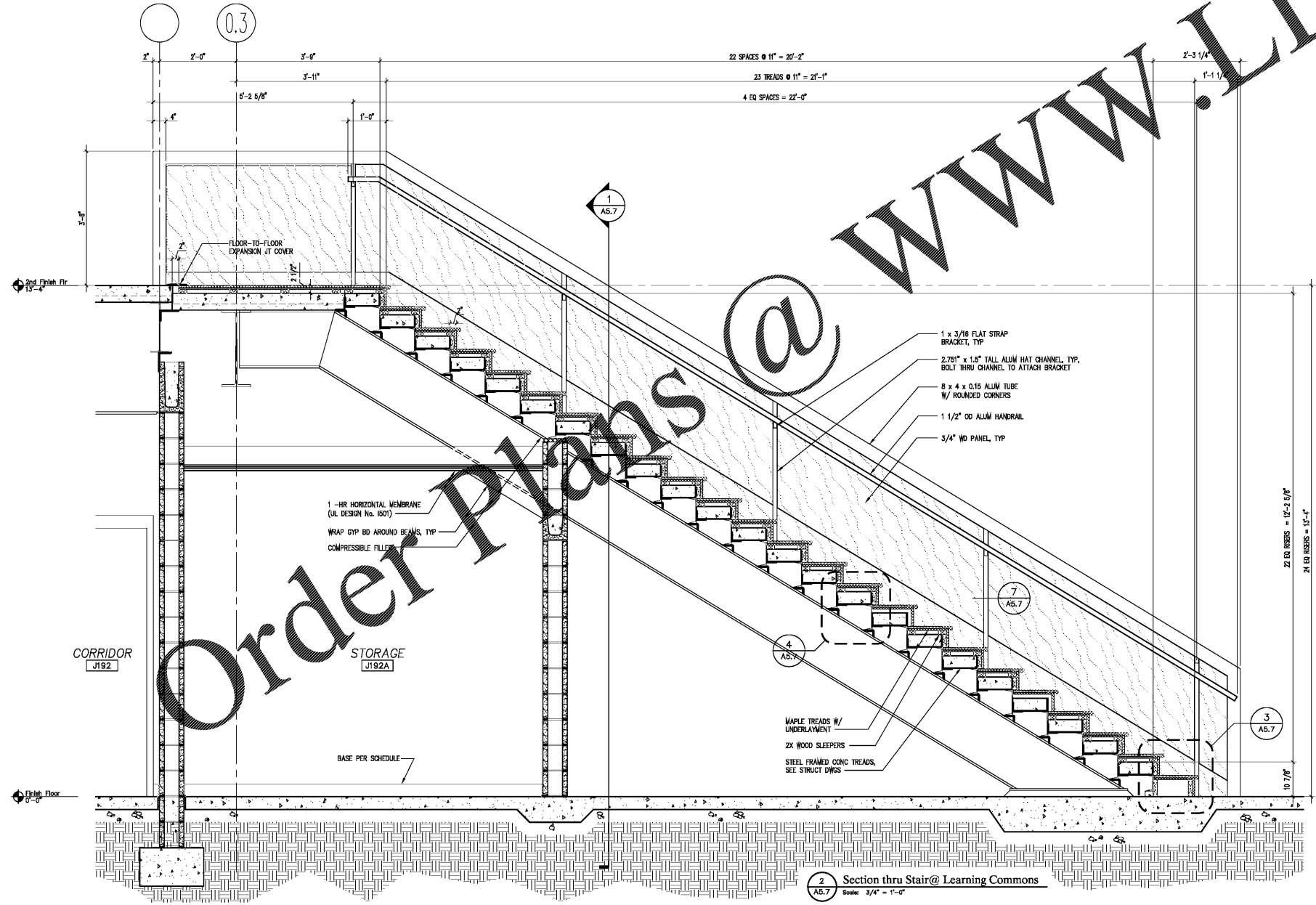
5 Detail Section @ Stair Stringer
AS.7 Scale: 1 1/2" = 1'-0"



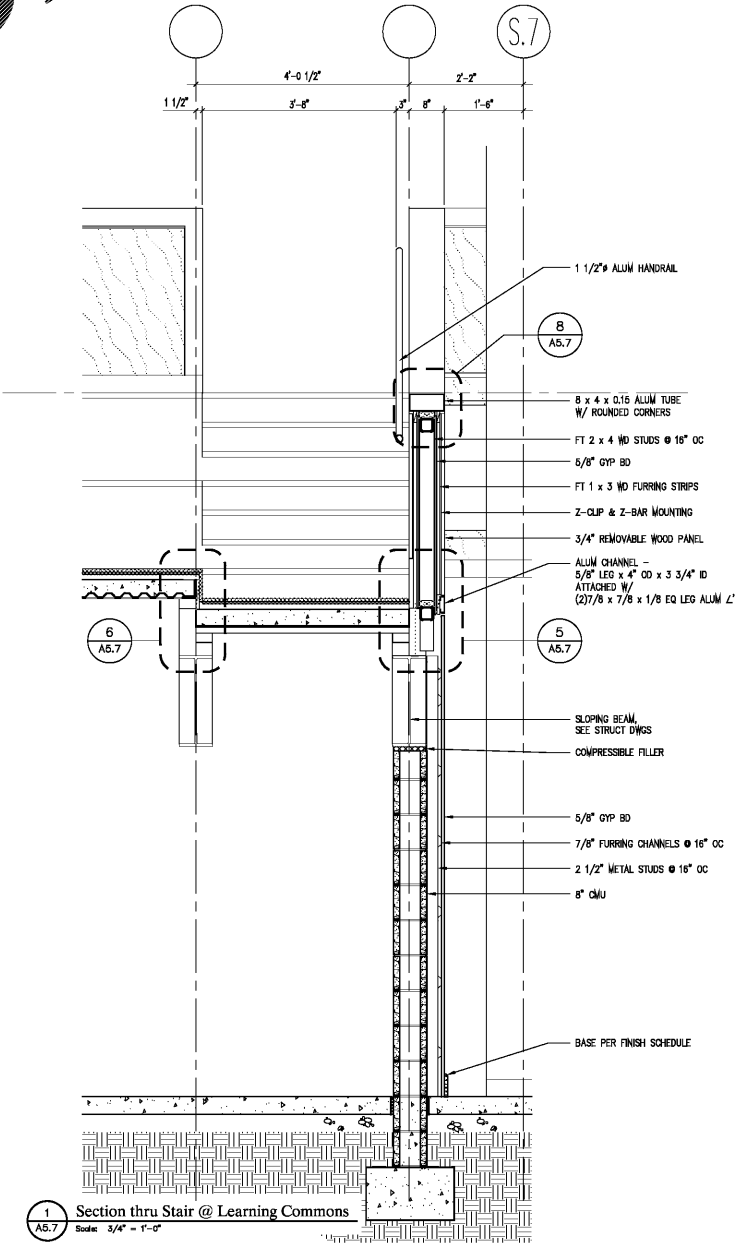
4 Detail Section @ Typical Tread
AS.7 Scale: 1 1/2" = 1'-0"



3 Detail Section @ Bottom Tread
AS.7 Scale: 1 1/2" = 1'-0"



2 Section thru Stair @ Learning Commons
AS.7 Scale: 3/4" = 1'-0"



1 Section thru Stair @ Learning Commons
AS.7 Scale: 3/4" = 1'-0"

Order Plans @

WWW.LDLINE.COM