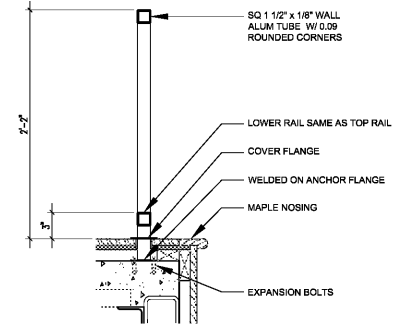
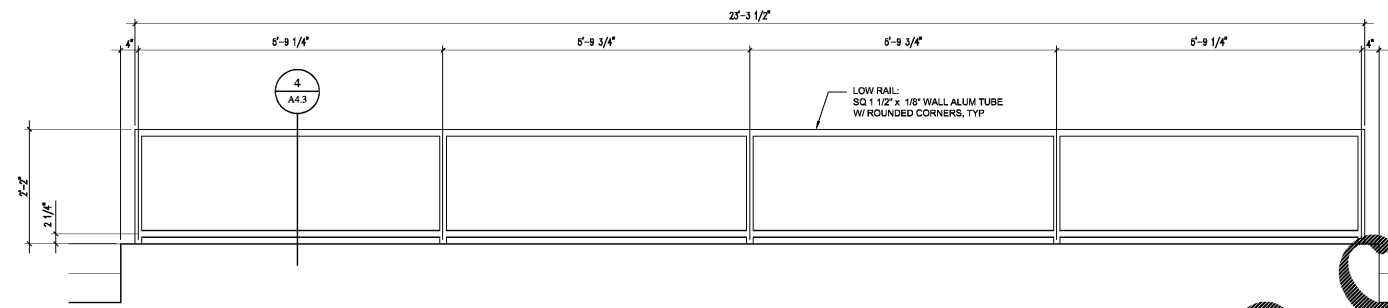


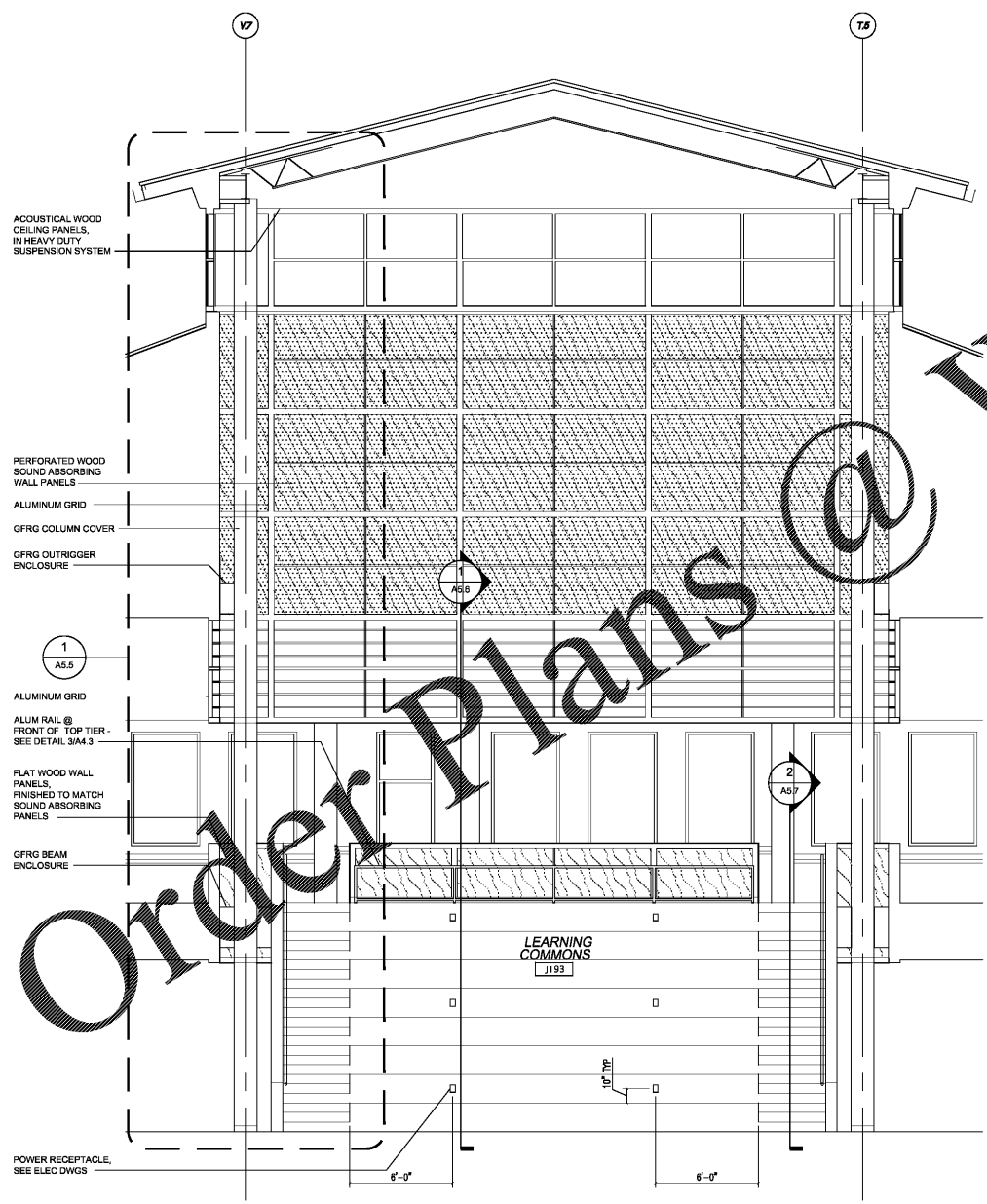
222 cloister
court chapel
hill, nc 27514
919.401.8586
www.cra-ae.com



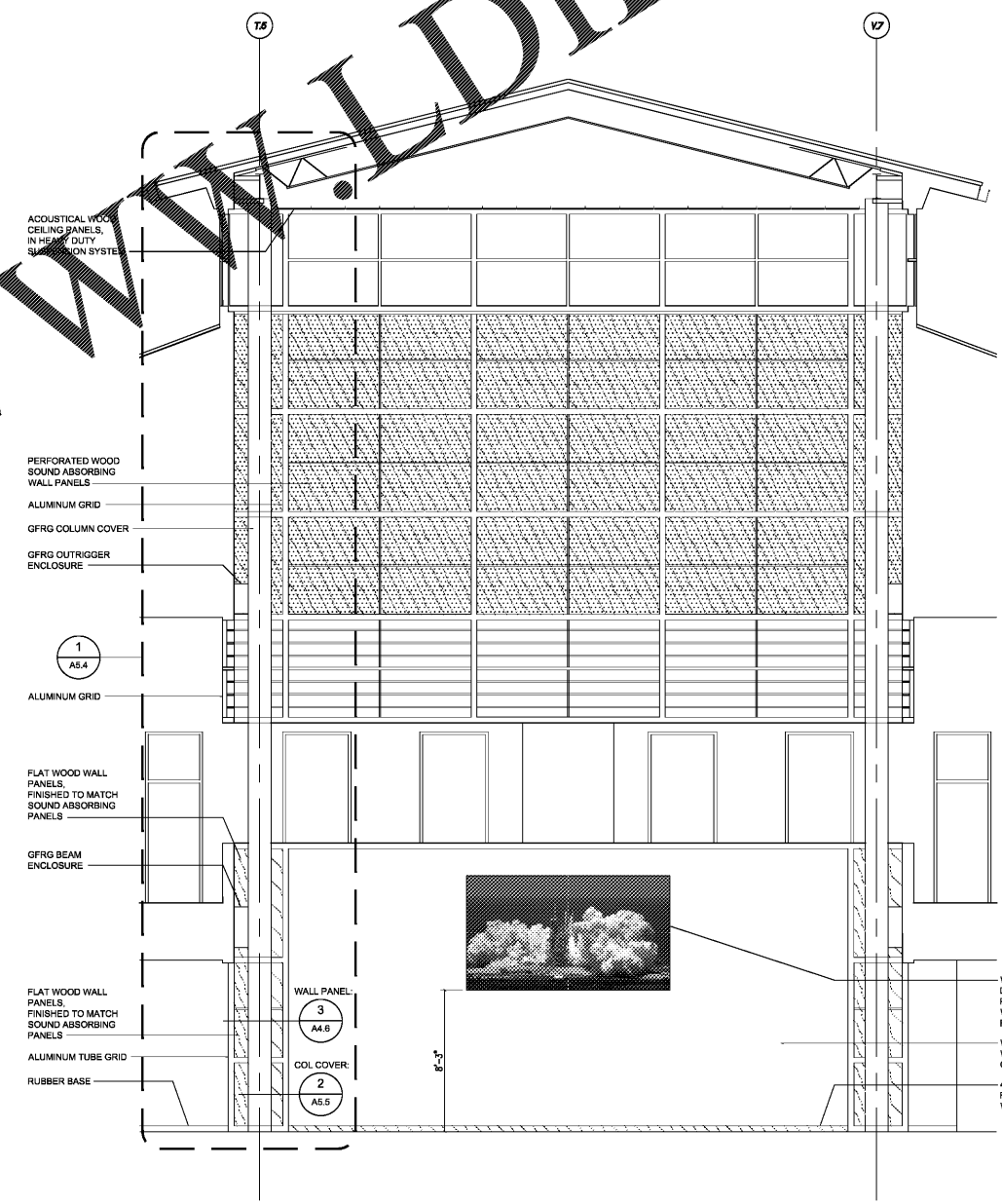
4 Aluminum Trim Detail
Scale: 1 1/2" = 1'-0"



3 Rail @ Top Tier of Seating in Learning Commons
Scale: 3/4" = 1'-0"



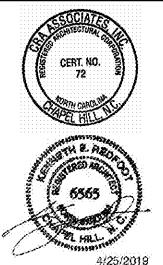
2 Elevation - Learning Commons West
Scale: 1/4" = 1'-0"



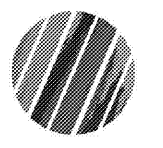
1 Elevation - Learning Commons East
Scale: 1/4" = 1'-0"

Order Plans @ WWW.LDILine.com

WWW.LDILine.com



Cedar Ridge High School
Classroom Addition
Orange County Schools
1125 New Grady Brown School Road
Hillsborough, North Carolina



no.	revisions

The use of these plans and specifications shall be restricted to the original site for which they were prepared and published. They shall be expressly limited to such use. No use, reproduction, or publication by any means, in whole or in part, is permitted. Title to the plans and specifications remain in the architect without obligation. It is to be returned upon request to the architect. Mutual consent with these plans and specifications shall constitute prior notice of the acceptance of these restrictions.

drawn checked

Interior Elevations,
Learning Commons

sheet

A4.3

project no. 1716

date 4/25/19