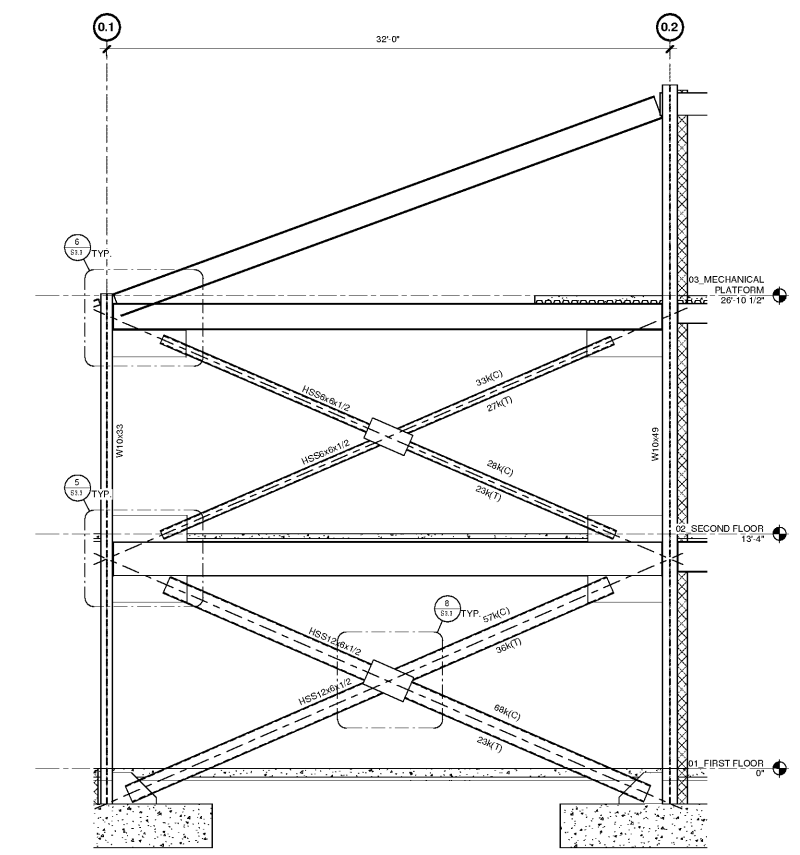
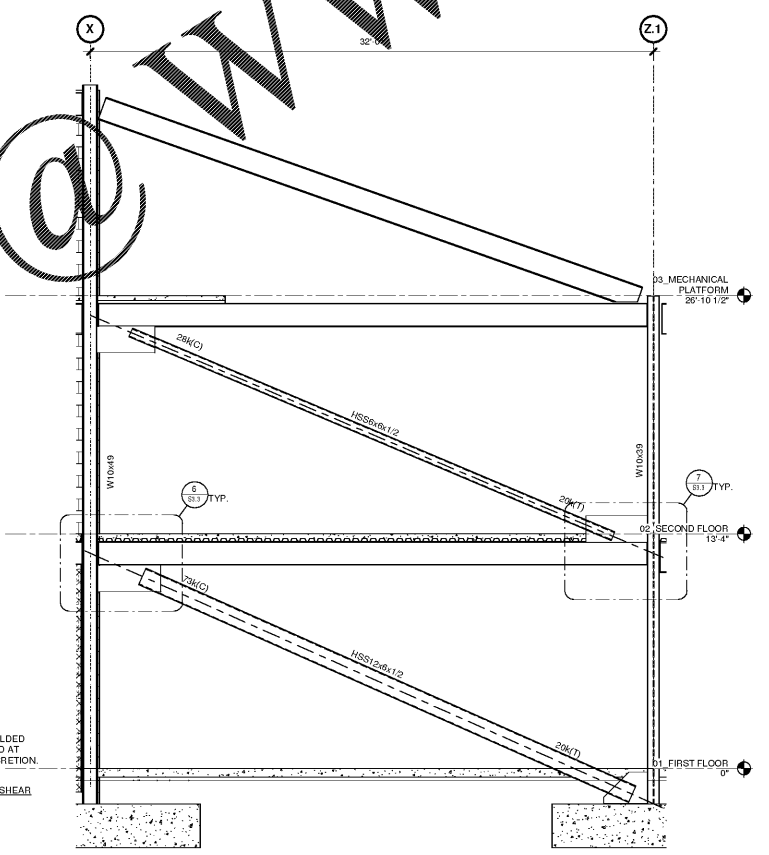
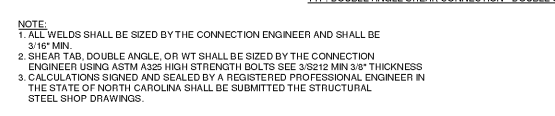
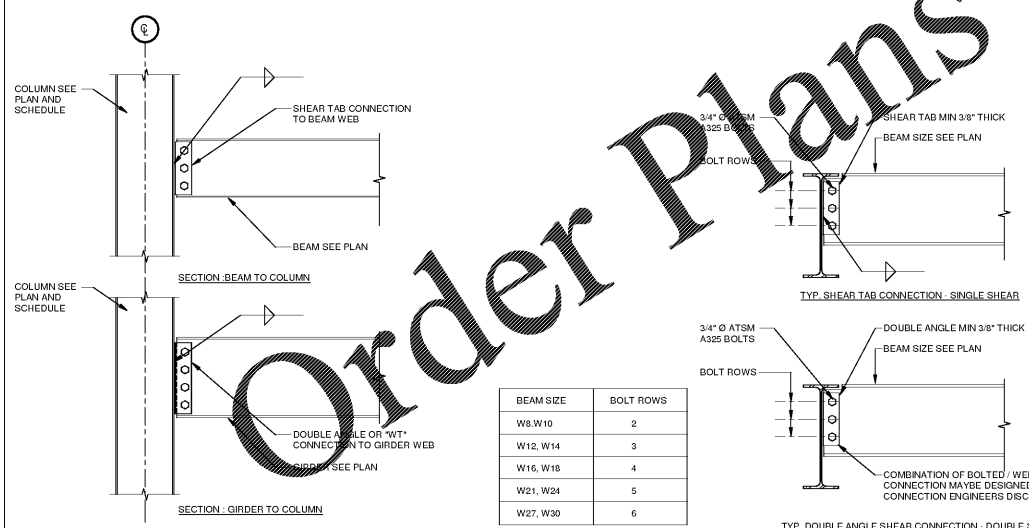
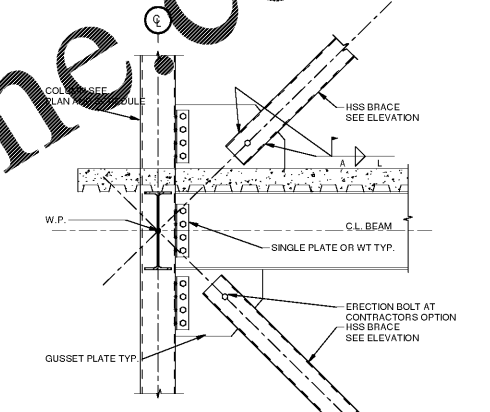
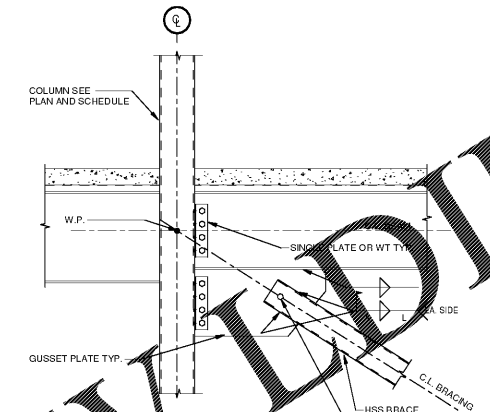
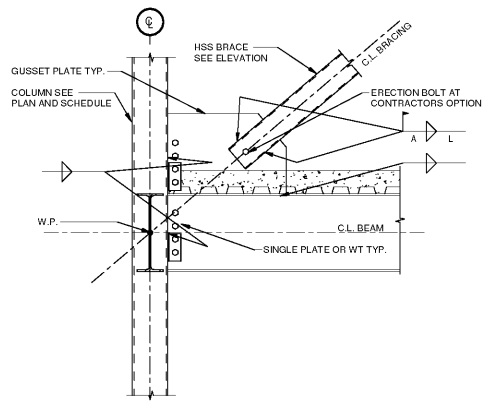
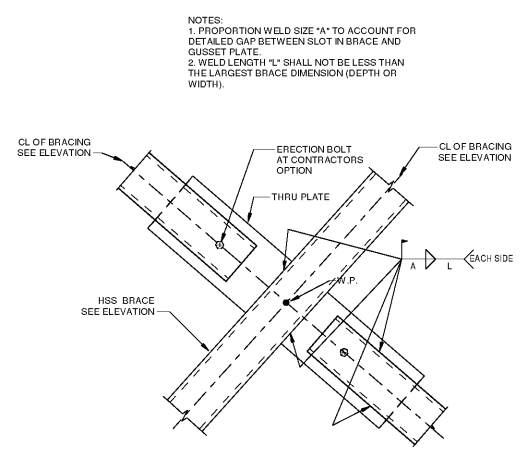
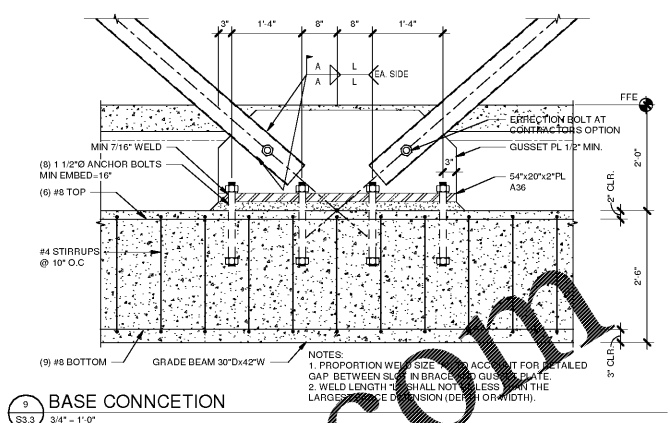


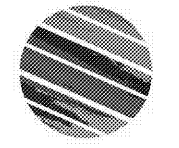
222 cloister court  
chapel hill, nc  
27514  
919.401.8586  
www.cra-oe.com



1331 Sunday Drive, Suite 121  
Raleigh, North Carolina 27607  
919.832.5587 919.833.3929 fax  
NC License # C-1629  
LHC Project 1032



Cedar Ridge High School  
Classroom Addition  
Orange County Schools  
1125 New Grady Brown School Road  
Hillsborough, North Carolina



no. revisions

The use of these plans and specifications shall be restricted to the original site for which they were prepared and publication thereof is expressly limited to such use. No reproduction, or publication by any means, shall be permitted without the prior written consent of the architect. If it is to be returned upon request to the architect, without consent with these plans and specifications shall constitute gross tortious conduct of the acceptance of these restrictions.

drawn DLK checked BL

VERTICAL BRACED FRAMES

sheet

S3.3

project no. 1716

date 4/25/19