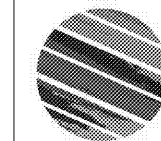


222 cloister court
 chapel hill, nc
 27514
 919.401.8586
 www.cra-oe.com

LHC
 STRUCTURAL
 ENGINEERS
 1331 Sunday Drive, Suite 121
 Raleigh, North Carolina 27607
 919.832.5587 919.833.3929 fax
 NC License # C-1629
 LHC Project 1022



Cedar Ridge High School
 Classroom Addition
 Orange County Schools
 1125 New Grady Brown School Road
 Hillsborough, North Carolina



no. revisions

The use of these plans and specifications shall be restricted to the original site for which they were prepared and publication thereof is expressly limited to such. No reuse, reproduction, or publication by any other means is permitted without the express written consent of the architect. It is to be returned upon request to the architect group for the balance of the acceptance of these restrictions.

drawn DLK checked BL

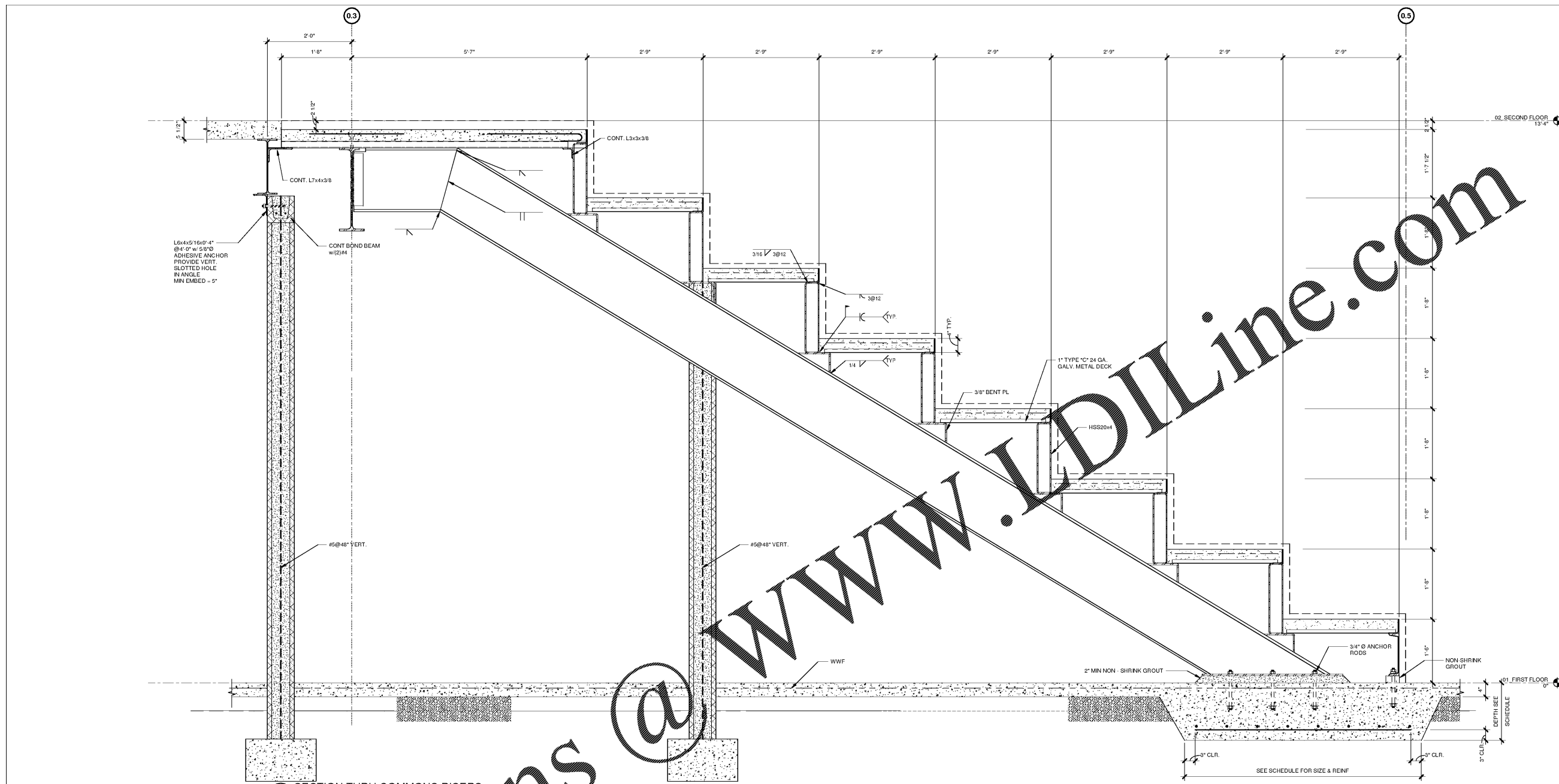
COMMONS AREA
 STAIR PLAN AND
 DETAILS

sheet

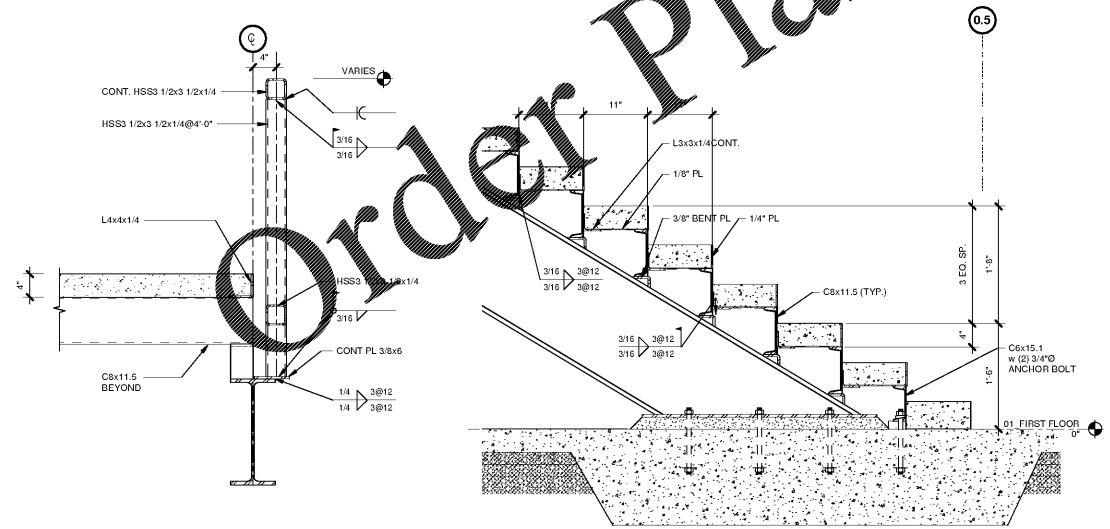
S2.5

project no. 1716

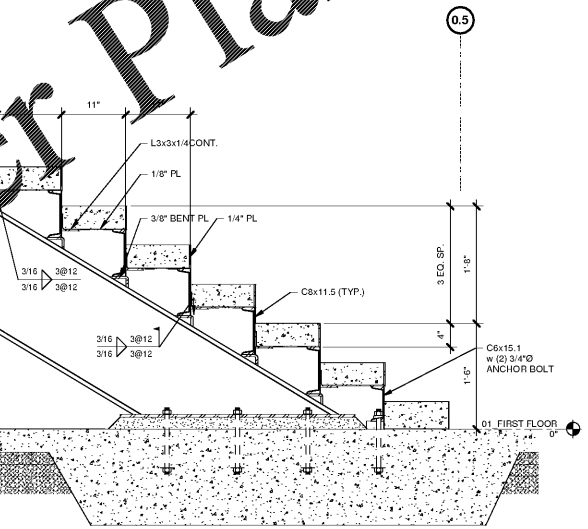
date 4/25/19



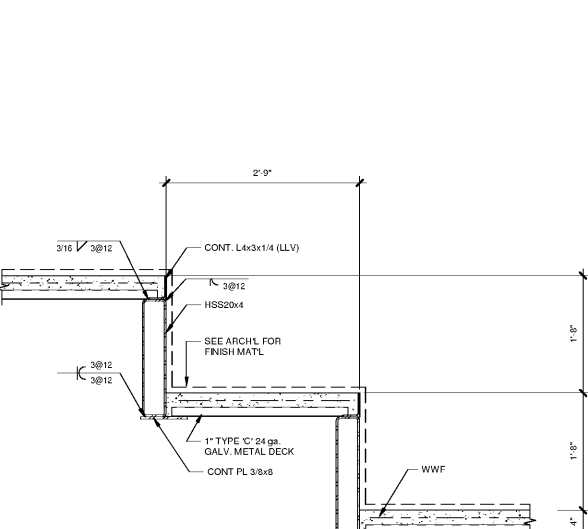
SECTION THRU COMMONS RISERS
 1'-1'-0"



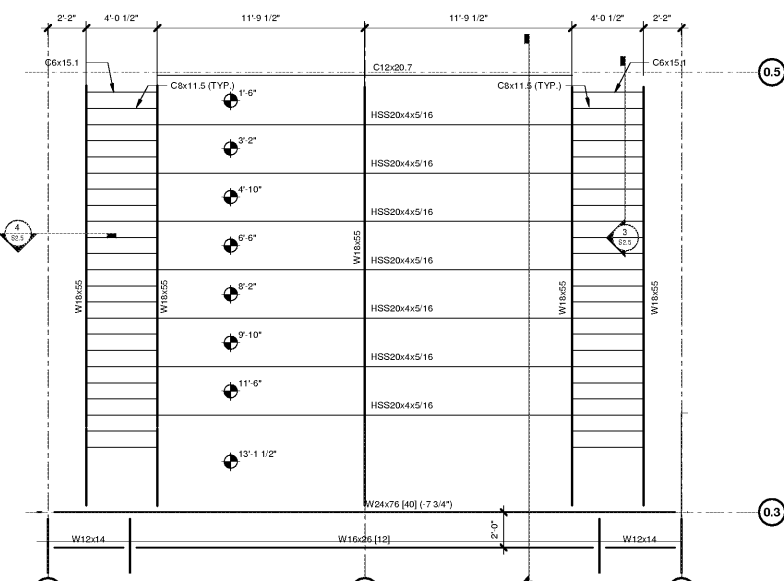
SECTION THRU STAIRS
 1'-1'-0"



SECTION THRU COMMONS RISERS
 1'-1'-0"



SECTION THRU COMMONS RISERS
 1'-1'-0"



ENLARGED PLAN
 1/4" = 1'-0"