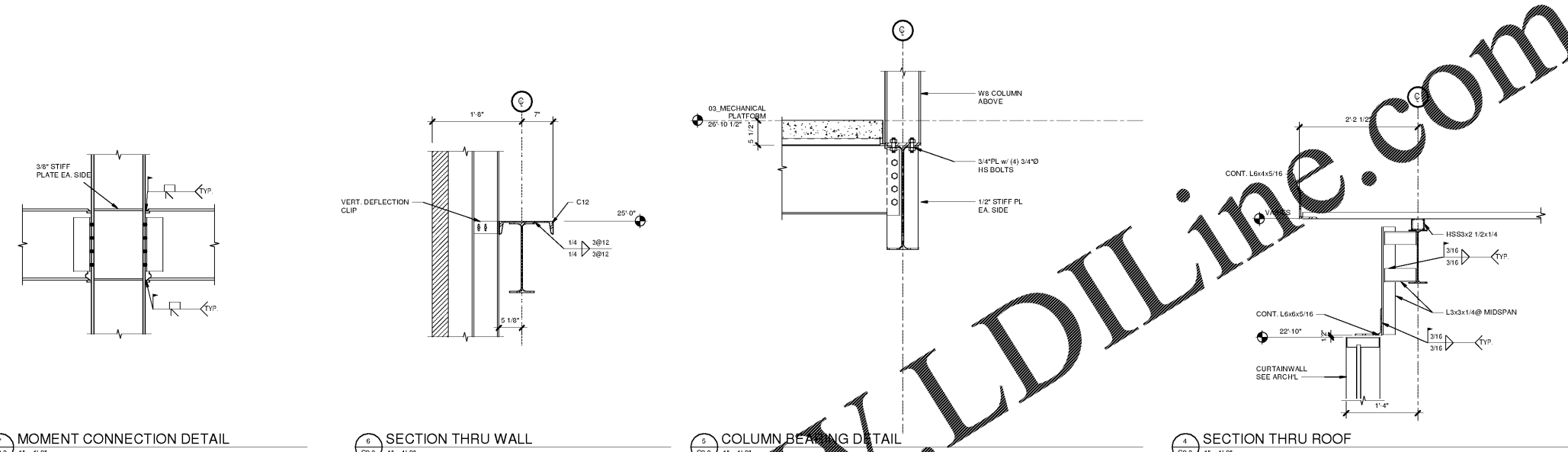
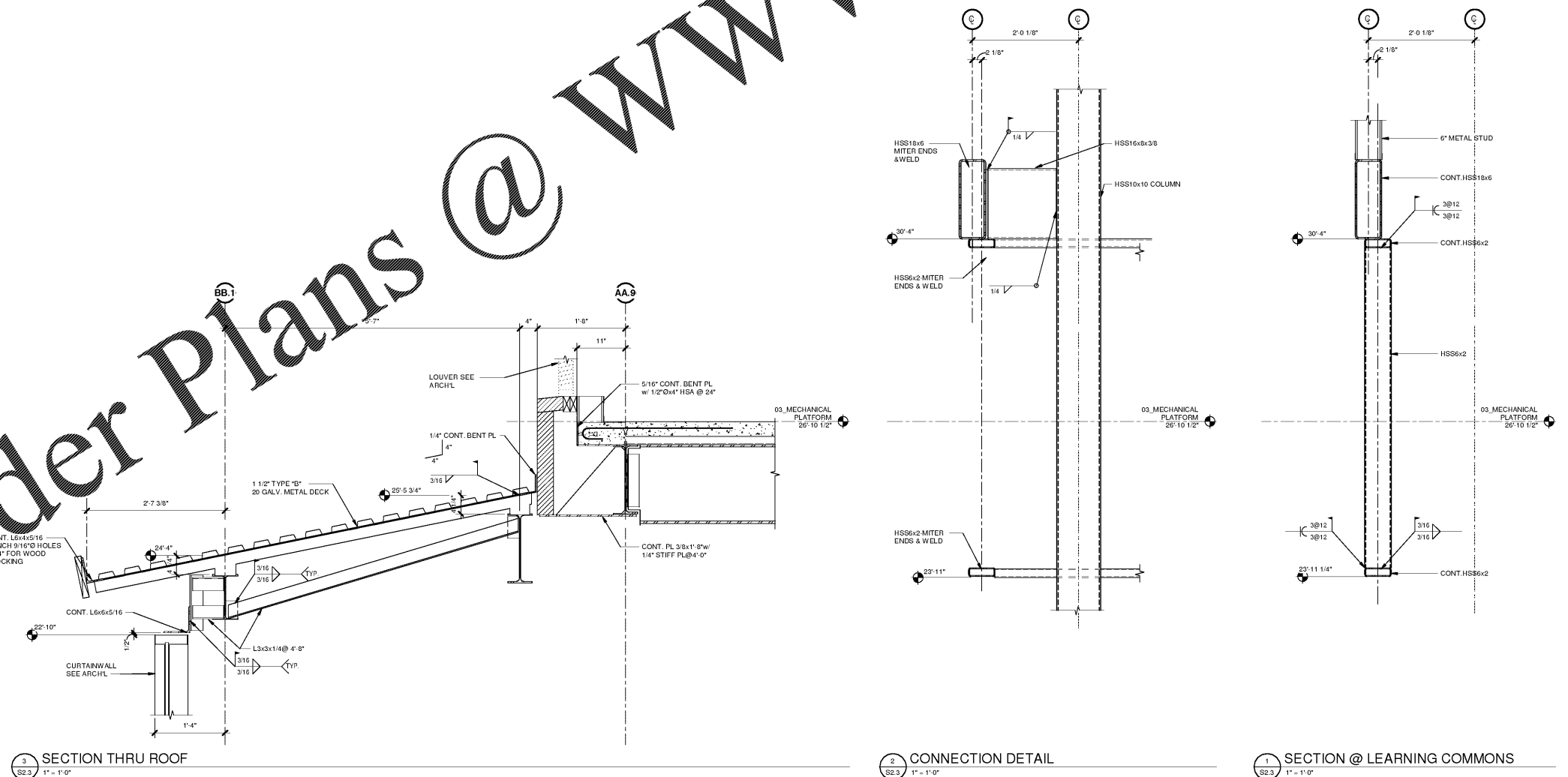


222 cloister court  
chapel hill, nc  
27514  
919.401.8586  
www.cra-nc.com

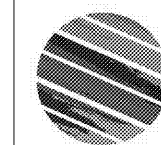
LHC  
STRUCTURAL  
ENGINEERS  
1331 Sunday Drive, Suite 121  
Raleigh, North Carolina 27607  
919.832.5587 919.833.3929 fax  
NC License # C-1629  
LHC Project 1032



Order Plans @ [www.LDILine.com](http://www.LDILine.com)



Cedar Ridge High School  
Classroom Addition  
Orange County Schools  
1125 New Grady Brown School Road  
Hillsborough, North Carolina



no. revisions

The use of these plans and specifications shall be restricted to the original site for which they were prepared and published. No reproduction, modification, or publication by any means, electronic or mechanical, is permitted. Site to be returned without guarantee. It is to be returned upon request to the architect. No liability shall be assumed by the architect for any damage or loss of any kind resulting from the use of these plans and specifications without the written consent of the architect.

draw Author check Checker

FLOOR FRAMING  
DETAILS

sheet

S2.3

project no. 1716

date 4/25/19