

SCHEDULE OF SLAB TOP BARS

MARK	SIZE	SPACING	LENGTH	REMARKS
T1	#4	12"	3'-0"	HOOK ONE END
T2	#4	12"	4'-0"	
T3	#4	12"	2'-6"	
T4	#4	12"	5'-0"	HOOK ONE END

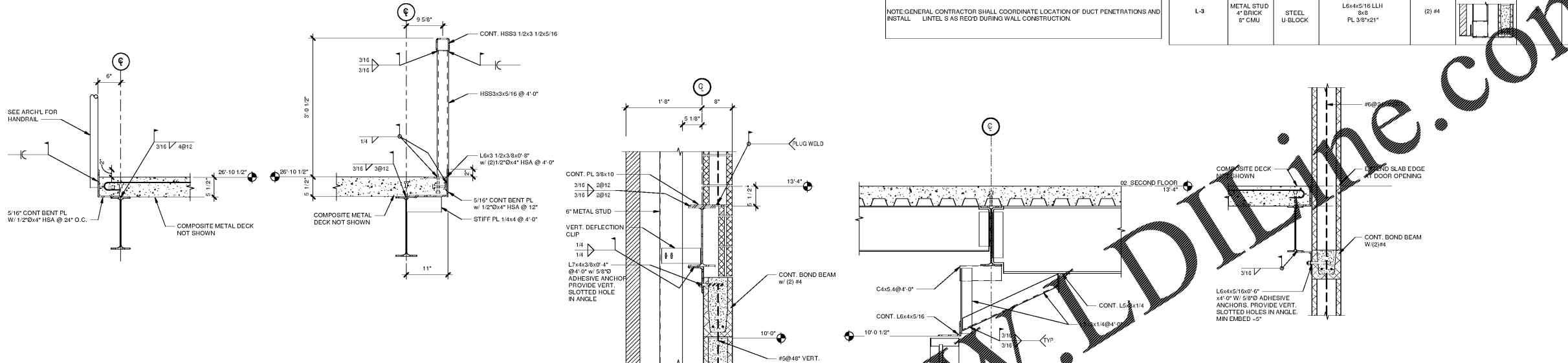
INTERIOR LINTEL SCHEDULE

WALL TYPE	OPENING WIDTH	LINTEL TYPE	LINTEL SIZE	REINF.	BEARING EA. END	REMARKS
8" CMU	<4'-0"	U-BLOCK	8x8	(2) - #4	8"	
8" CMU	>4" THRU 6'-0"	U-BLOCK	8x8	(2) - #5	8"	
8" CMU	6'-4" THRU 8'-0"	U-BLOCK	8x16	(2) - #5	8"	
8" CMU	8'-4" THRU 12'-0"	U-BLOCK	8x16	(2) - #6	8"	
8" CMU	12'-8"	U-BLOCK	8x16	(2) - #6 TOP (2) - #6 BOT	8"	
12" CMU	<4'-0"	U-BLOCK	12x8	(2) - #4	8"	
12" CMU	>4'-0" THRU 6'-0"	U-BLOCK	12x8	(2) - #6	8"	
12" CMU	6'-4" THRU 8'-0"	U-BLOCK	12x16	(2) - #6	8"	
12" CMU	8'-4" THRU 12'-0"	U-BLOCK	12x16	(2) - #6	8"	

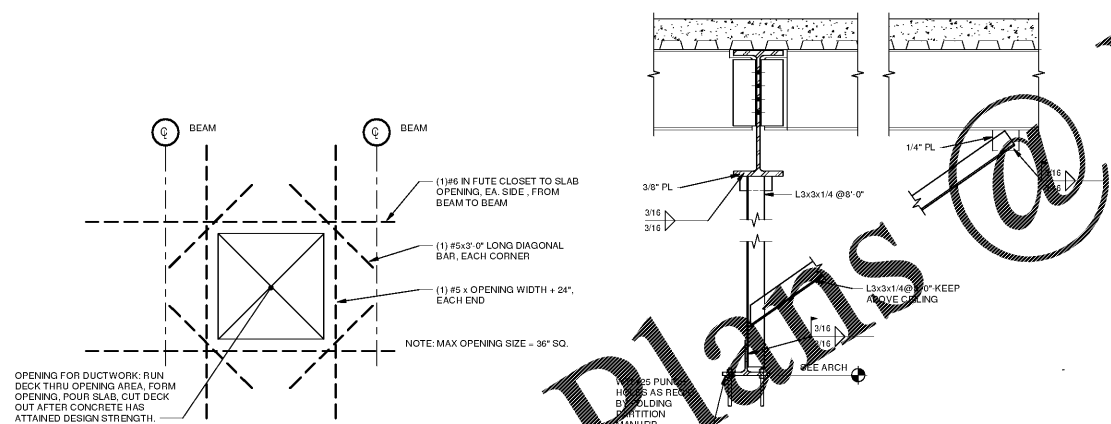
NOTE: GENERAL CONTRACTOR SHALL COORDINATE LOCATION OF DUCT PENETRATIONS AND INSTALL LINTEL S AS REOD DURING WALL CONSTRUCTION.

EXTERIOR LINTEL SCHEDULE

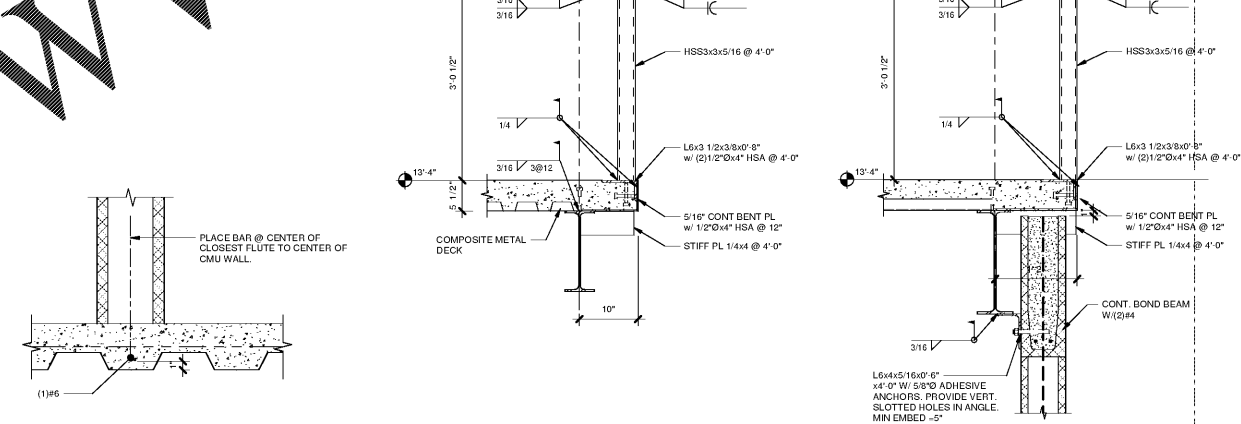
MARK	WALL TYPE	LINTEL	SIZE	REINF.	SECTION	BEARING END	REMARKS
L-1	METAL STUD 4" BRICK	STEEL	L6x4x5/16 LLH			8"	HOT-DIPPED GALV.
L-2	METAL STUD 4" BRICK	STEEL	L6x6x5/16			8"	HOT-DIPPED GALV.
L-3	METAL STUD 4" BRICK 8" CMU	STEEL U-BLOCK	L6x4x5/16 LLH 8x8 FL 3/8"x21"	(2) #4		8"	HOT-DIPPED GALV.



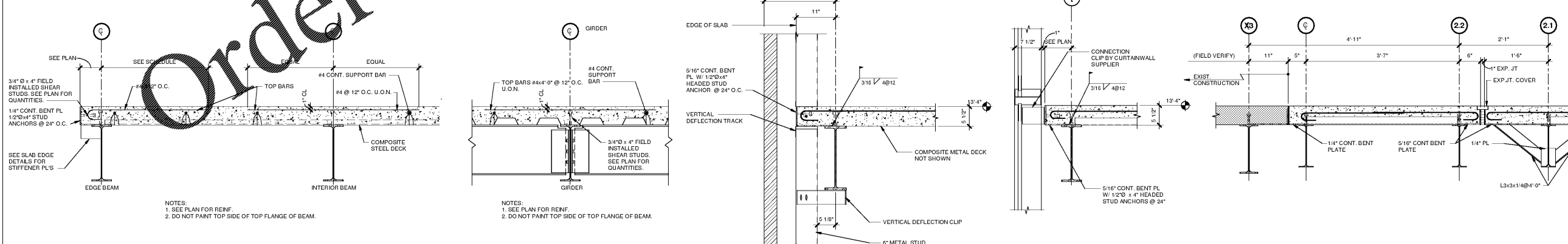
11 EDGE OF SLAB DETAIL 1" = 1'-0" 12 SECTION THRU WALL 1" = 1'-0" 13 SECTION THRU WALL 1" = 1'-0" 14 SECTION THRU STOREFRONT 1" = 1'-0" 15 SECTION THRU ELEVATOR 1" = 1'-0"



6 SLAB OPENING DETAIL 1/2" = 1'-0" 7 FOLDING PARTITION SUPPORT DET 1" = 1'-0"



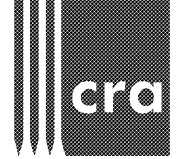
8 SLAB REINF. DETAIL 1 1/2" = 1'-0" 9 EDGE OF SLAB DETAIL 1" = 1'-0" 10 EDGE OF SLAB DETAIL 1" = 1'-0"



1 COMPOSITE BEAM DETAIL 1" = 1'-0" 2 TYPICAL SECTION THRU GIRDER 1" = 1'-0" 3 SECTION THRU FLOOR 1" = 1'-0" 4 SECTION THRU CURTAIN WALL 1" = 1'-0" 5 EXPANSION JOINT DETAIL 1" = 1'-0"

Order Plans @

WWW.DIline.com



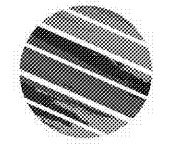
222 cloister court
chapel hill, nc
27514
919.401.8586
www.cra-ne.com



1331 Sunday Drive, Suite 121
Raleigh, North Carolina 27607
919.832.5587 919.833.3929 fax
NC License # C-1629
LHC Project 1022



Cedar Ridge High School
Classroom Addition
Orange County Schools
1125 New Grady Brown School Road
Hillsborough, North Carolina



no. revisions

The use of these plans and specifications shall be restricted to the original site for which they were prepared and published. No other use, reproduction, or publication is permitted without the express written consent of the architect. It is to be returned upon request to the architect upon completion of the project. No liability shall be assumed by the architect for any errors or omissions on these plans and specifications.

drawn DLK checked BL

FLOOR FRAMING DETAILS

sheet

S2.2

project no. 1716

date 4/25/19