

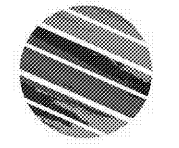
222 cloister court  
chapel hill, nc  
27514  
919.401.8586  
www.cra-oe.com



1331 Sunday Drive, Suite 121  
Raleigh, North Carolina 27607  
919.832.5587 919.833.3929 fax  
NC License # C-1629  
LHC Project 1022



Cedar Ridge High School  
Classroom Addition  
Orange County Schools  
1125 New Grady Brown School Road  
Hillsborough, North Carolina



no. revisions

drawn DLK checked BL

FOUNDATION  
DETAILS

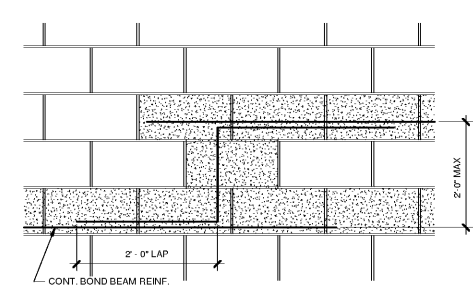
sheet

S2.1

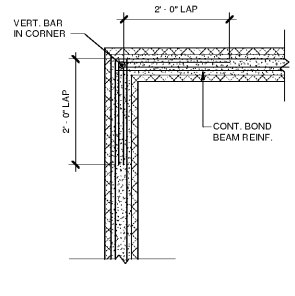
project no. 1716

date 4/25/19

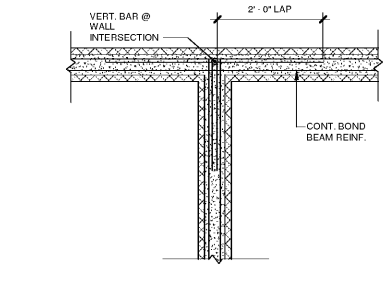
Mark	Width	Length	Thickness	Reinf. E.W.	Comments
F4.0	4'-0"	4'-0"	1'-0"	(4) #5	
F4.5	4'-0"	4'-0"	1'-0"	(4) #5	
F5.5	5'-0"	5'-0"	1'-0"	(5) #5	
F6.0	6'-0"	6'-0"	1'-0"	(6) #5	
F6.0x4.0	4'-0"	6'-0"	1'-0"	(6) #5	
F6.5	6'-0"	6'-0"	1'-2"	(7) #5	
F7.0	7'-0"	7'-0"	1'-2"	(7) #5	
F7.5	7'-0"	7'-0"	1'-4"	(8) #5	
F8.0	8'-0"	8'-0"	1'-4"	(7) #6	
F8.5	8'-0"	8'-0"	1'-6"	(8) #6	
F9.5	9'-0"	9'-0"	1'-8"	(7) #7	
F10.0	10'-0"	10'-0"	1'-8"	(8) #7	
F10.5	10'-6"	10'-6"	2'-0"	(10) #7 TAB E.W.	
F11.0	11'-0"	11'-0"	2'-0"	(10) #7 TAB E.W.	
F11.5	11'-6"	11'-6"	2'-0"	(10) #7 TAB E.W.	
F12.0	12'-0"	12'-0"	2'-0"	(11) #7 TAB E.W.	
F12.5	12'-6"	12'-6"	2'-0"	(9) #8 TAB E.W.	
F13.0	13'-0"	13'-0"	2'-0"	(12) #7 TAB E.W.	



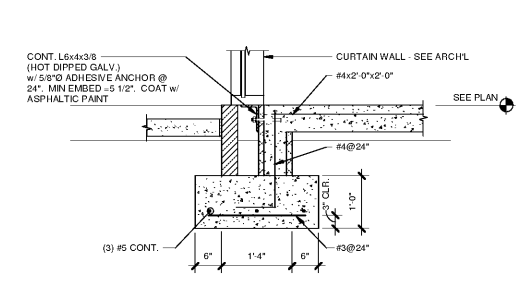
10 TYP. STEP IN BOND BEAM  
S2.1 1'-1'-0"



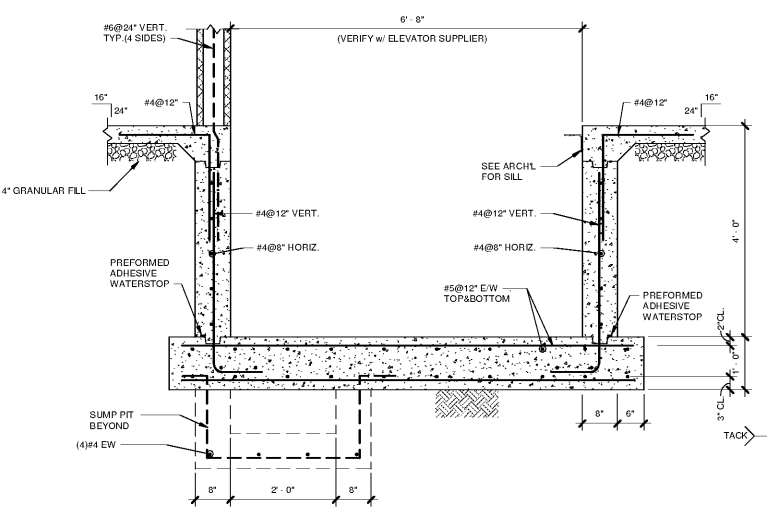
20 TYP. BOND BEAM CORNER  
S2.1 3/4'-1'-0"



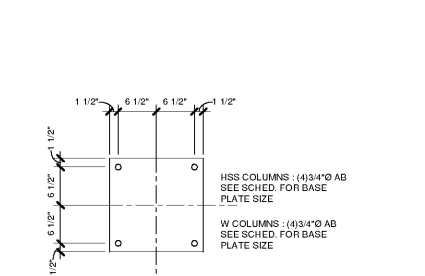
21 TYP. BOND BEAM INTERSECTION  
S2.1 3/4'-1'-0"



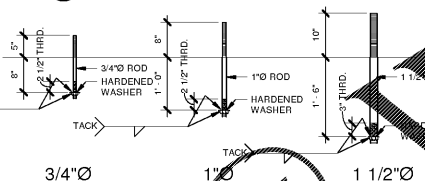
22 SECTION THRU CURTAIN WALL  
S2.1 3/4'-1'-0"



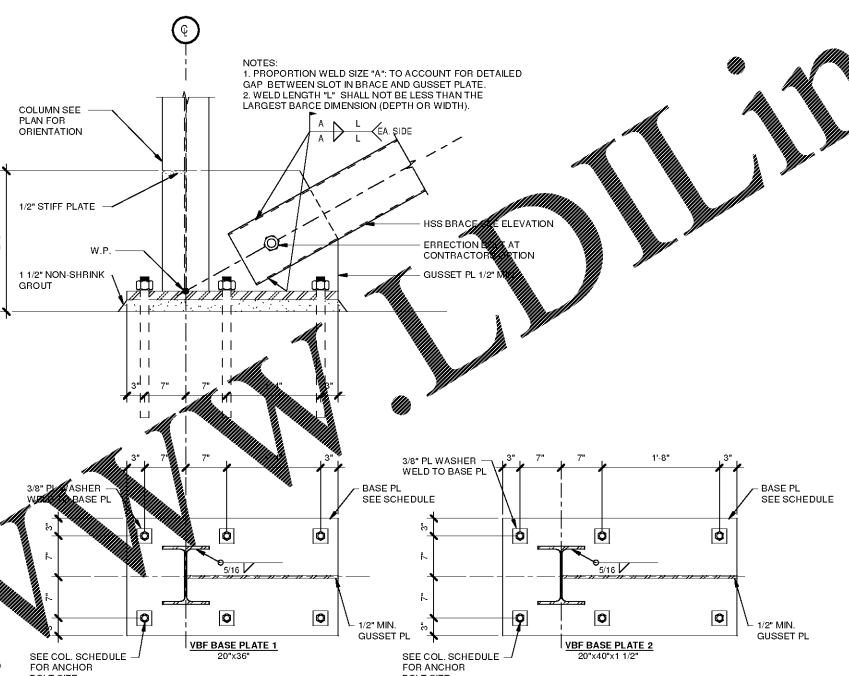
13 SECT. THRU ELEVATOR PIT  
S2.1 3/4'-1'-0"



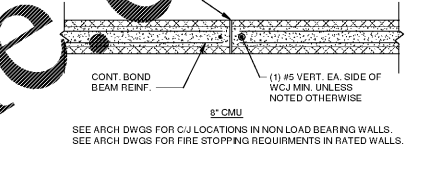
15 BASE PLATE DETAIL  
S2.1 1'-1'-0"



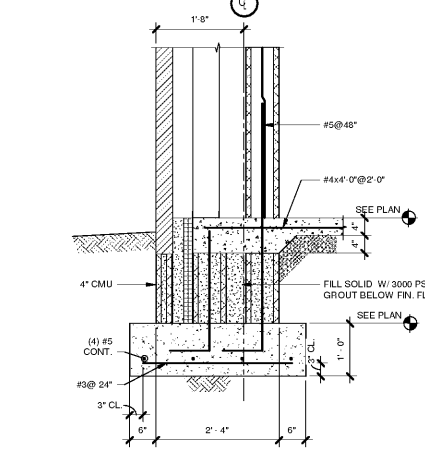
14 ANCHOR BOLT DETAIL  
S2.1 3/4'-1'-0"



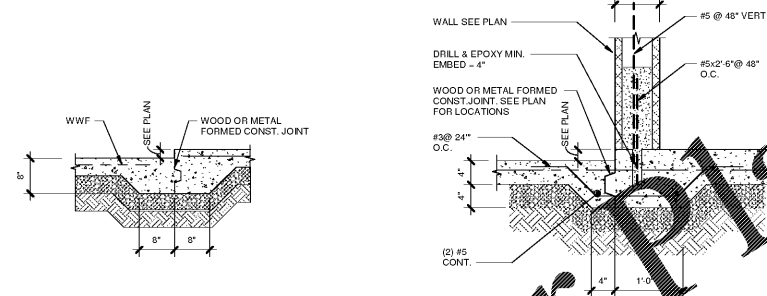
16 VERTICAL BRACED FRAME BASE PLATE DETAILS  
S2.1 1'-1'-0"



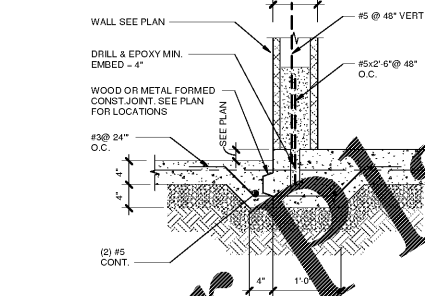
18 TYP. CONTROL JOINT DETAIL  
S2.1 3/4'-1'-0"



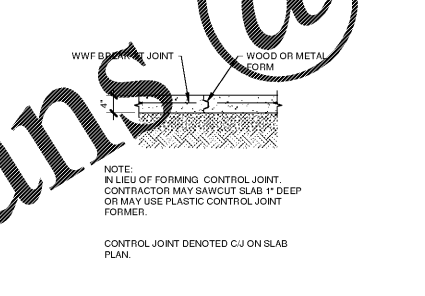
17 WALL FOOTING DETAIL  
S2.1 3/4'-1'-0"



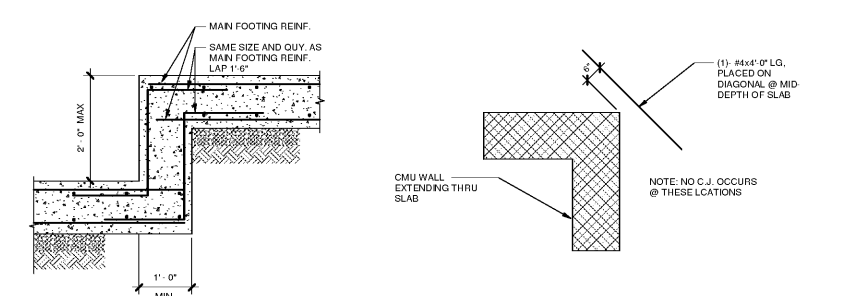
8 TYP. DEPRESSED SLAB  
S2.1 3/4'-1'-0"



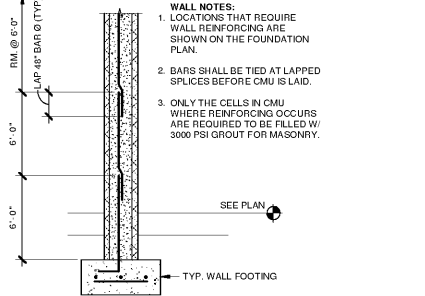
9 TYP. CONTROL JOINT  
S2.1 3/4'-1'-0"



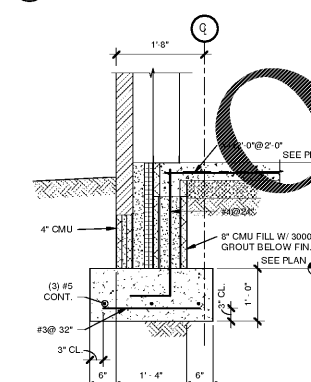
10 STEPPED FOOTING DETAIL  
S2.1 3/4'-1'-0"



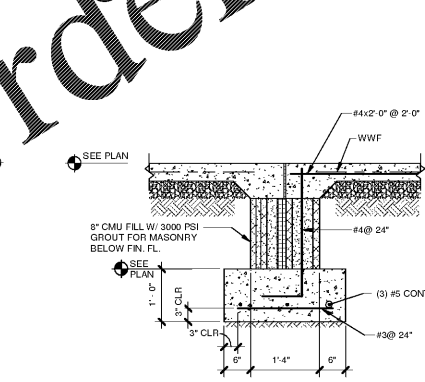
11 SLAB @ RE-ENTRANT CORNER  
S2.1 1'-2'-1'-0"



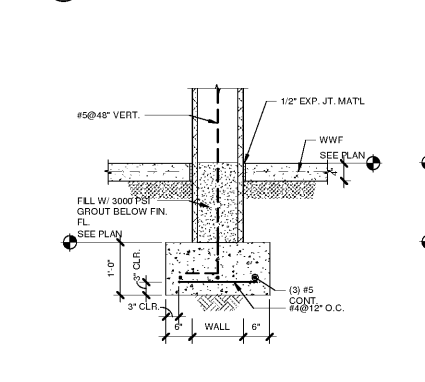
12 CMU WALL REINF. DETAIL  
S2.1 3/4'-1'-0"



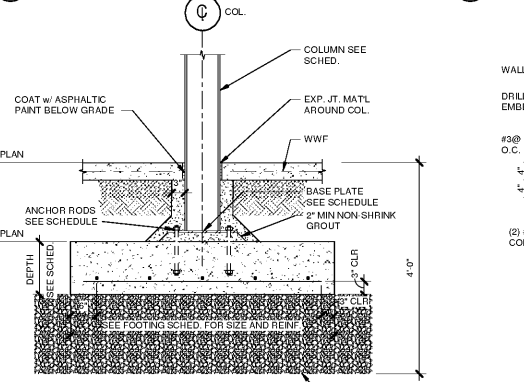
1 WALL FOOTING DETAIL  
S2.1 3/4'-1'-0"



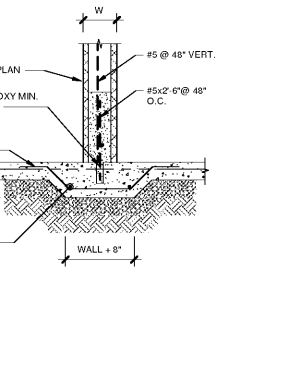
2 TYP. DOOR OPENING  
S2.1 3/4'-1'-0"



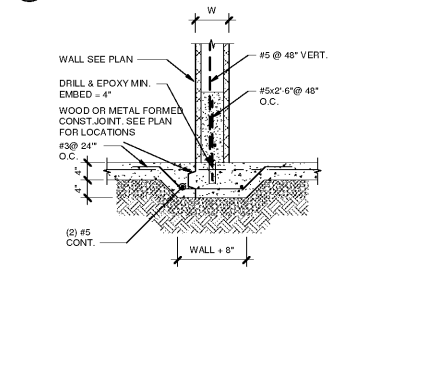
3 INTERIOR WALL FOOTING DETAIL  
S2.1 3/4'-1'-0"



4 COLUMN FOOTING DETAIL  
S2.1 3/4'-1'-0"



5 TYP. THICKENED SLAB  
S2.1 3/4'-1'-0"



6 TYP. THICKENED SLAB W/ CONTROL JOINT  
S2.1 3/4'-1'-0"