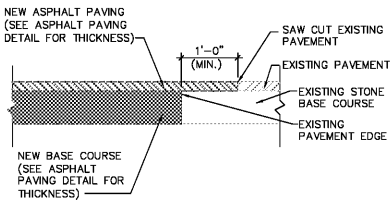
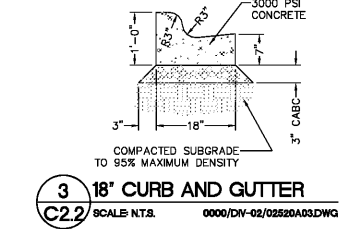


1 Temporary Construction Fence w/ Fabric
C2.2 SCALE: N.T.S.

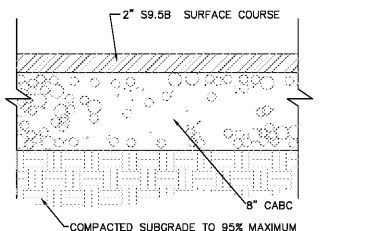


2 CONCRETE SIDEWALK
C2.2 SCALE: N.T.S.

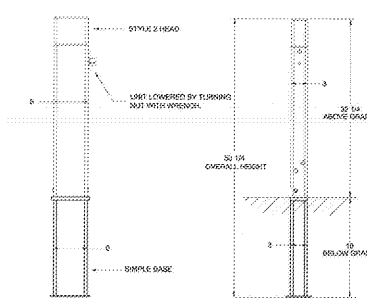


3 18" CURB AND GUTTER
C2.2 SCALE: N.T.S.

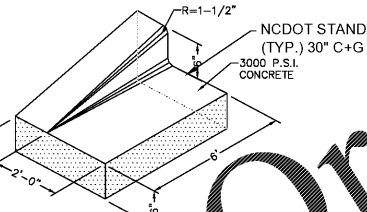
7 EXISTING EDGE OF PAVEMENT
C2.2 SCALE: N.T.S.



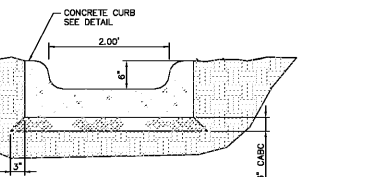
8 ASPHALT PAVING
C2.2 SCALE: N.T.S.



4 COLLAPSIBLE BOLLARD
C2.2 N.T.S.



13 CURB AND GUTTER TRANSITION
C2.2 SCALE: N.T.S.



14 CONCRETE FLUME SECTION
C2.2 SCALE: N.T.S.



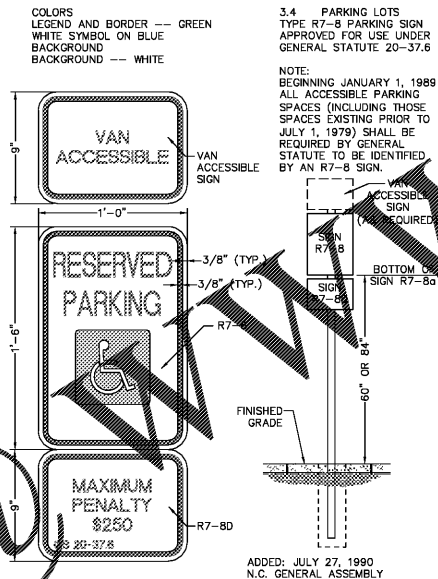
15 COURTYARD WALL
C2.2 SCALE: 3/4" = 1'-0"



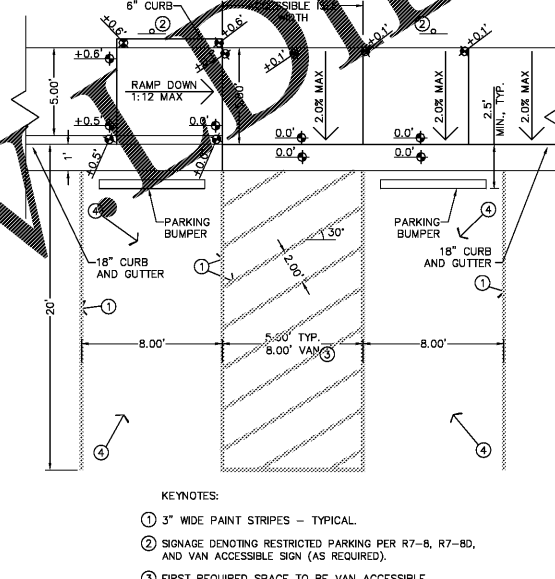
16 CONCRETE DROP INLET - TOP VIEW AND SIDE VIEW
C2.2 SCALE: N.T.S.



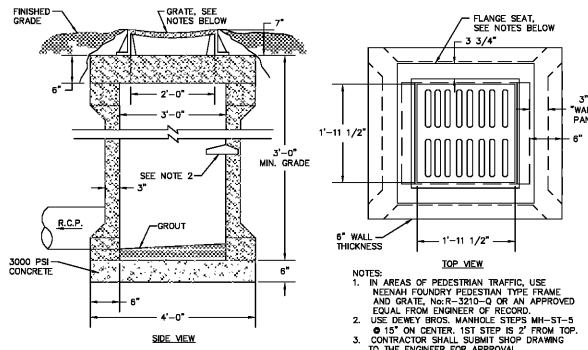
5 CONCENTRATED LOAD CONCRETE PAVING
C2.2 SCALE: N.T.S.



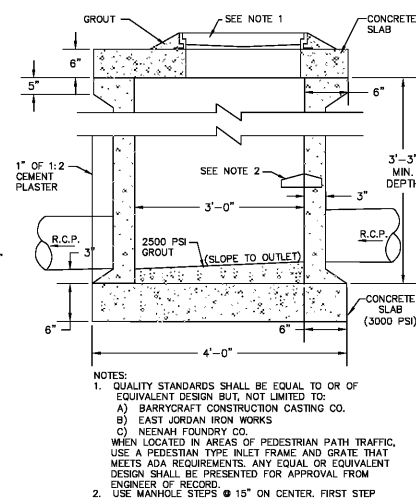
10 ACCESSIBLE PARKING SIGNAGE
C2.2 SCALE: N.T.S.



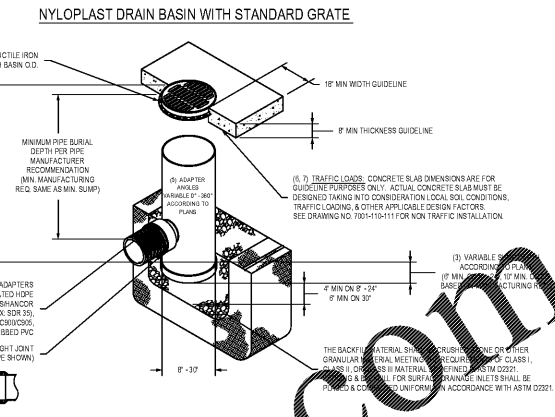
11 TYPICAL ACCESSIBLE PARKING
C2.2 SCALE: N.T.S.



16 CONCRETE DROP INLET - TOP VIEW AND SIDE VIEW
C2.2 SCALE: N.T.S.



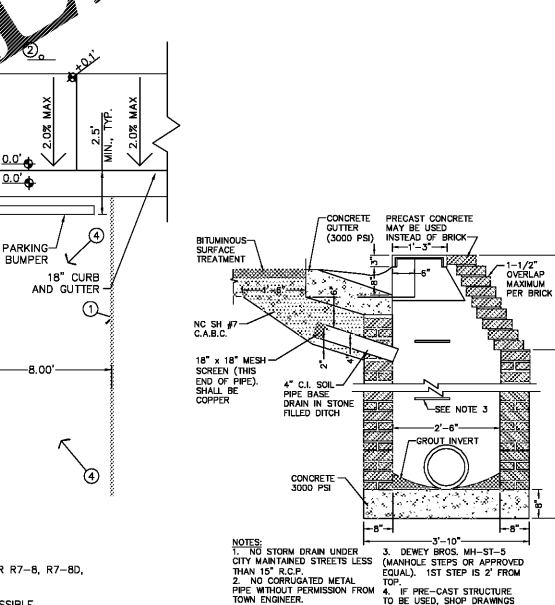
17 JUNCTION BOX DETAIL
C2.2 SCALE: N.T.S.



6 NYLOPLAST DRAIN BOX
C2.2 SCALE: N.T.S.



12 CURB INLET - SIDE VIEW
C2.2 SCALE: N.T.S.



18 SOIL REINFORCED RETAINING WALL WITH RAILING
C2.2 SCALE: N.T.S.

cra
222 cloister court
chapel hill, nc 27514
919.401.8586
www.cra-ae.com

Professional Engineer
04/25/19

Cedar Ridge High School
Classroom Addition
Orange County Schools
1125 New Grady Brown School Road
Hillsborough, North Carolina

no. revisions

drawn checked
C2.2
sheet
DETAILS
project no. 1716
date 04/25/19