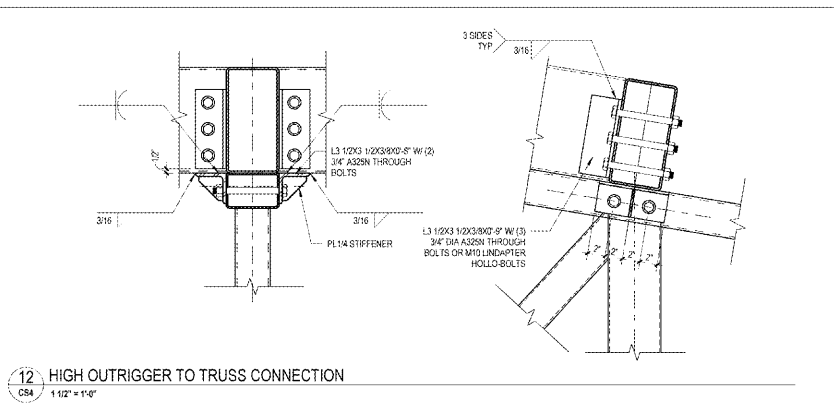
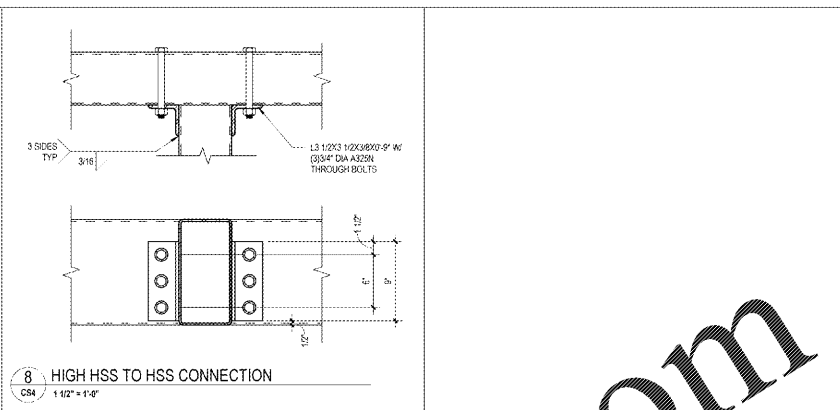


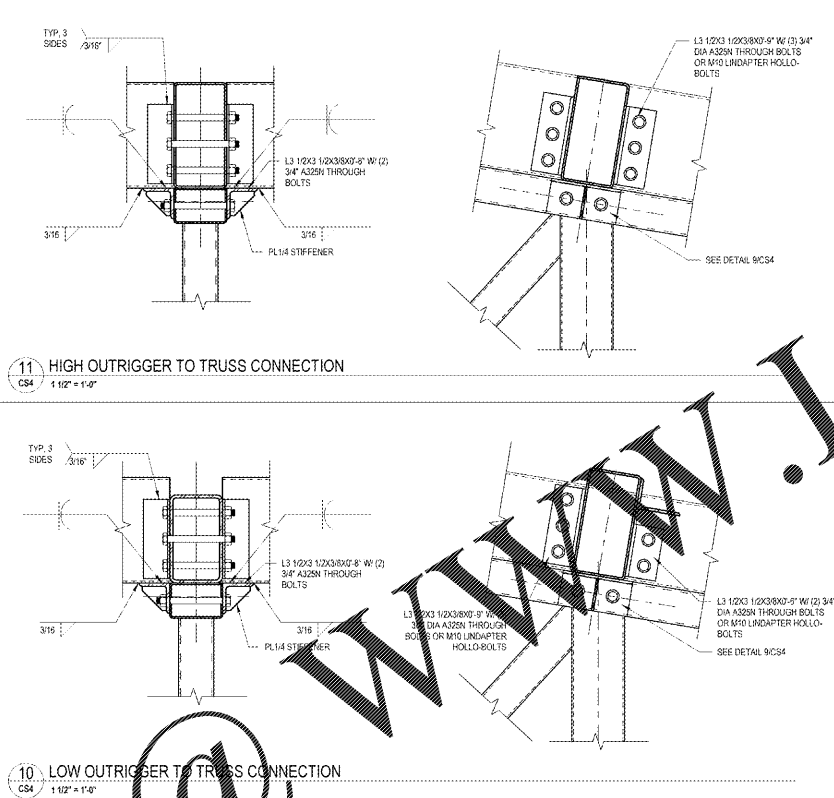
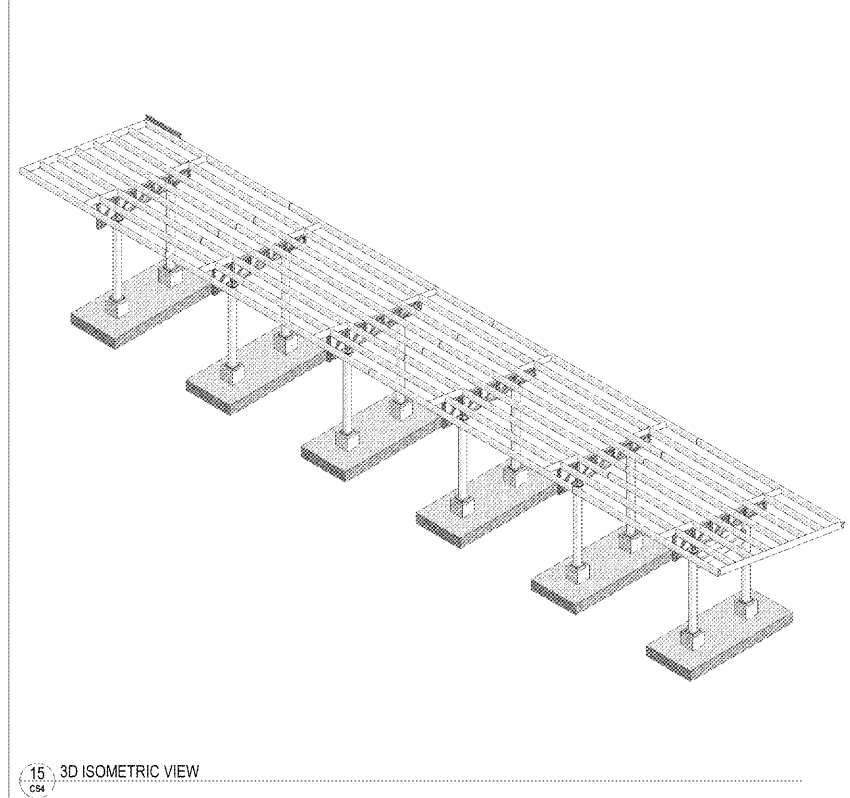
15 3D ISOMETRIC VIEW
CS4 1 1/2" x 1 1/2"



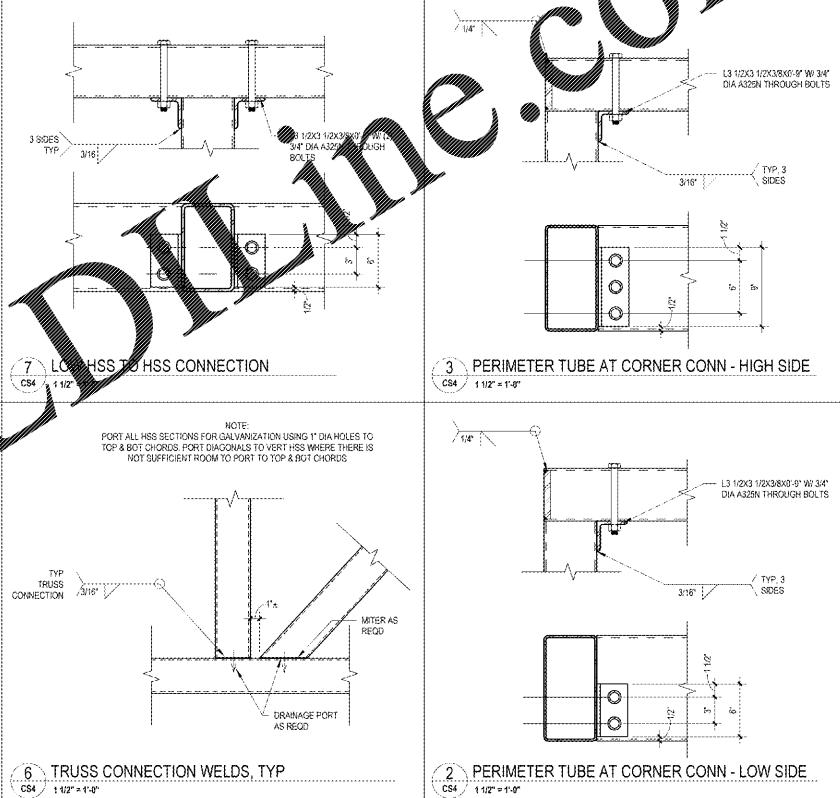
12 HIGH OUTRIGGER TO TRUSS CONNECTION
CS4 1 1/2" x 1 1/2"



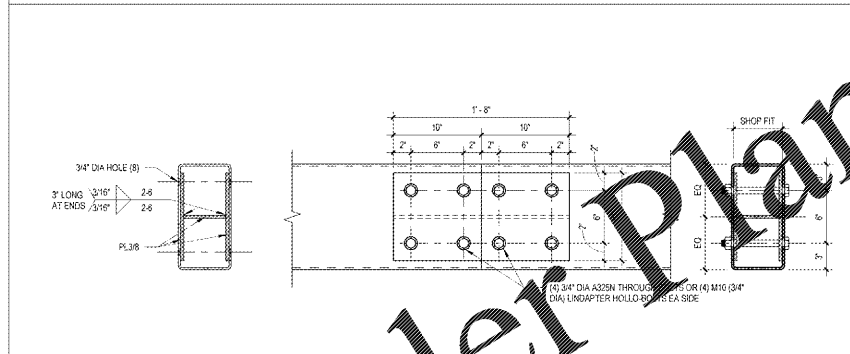
8 HIGH HSS TO HSS CONNECTION
CS4 1 1/2" x 1 1/2"



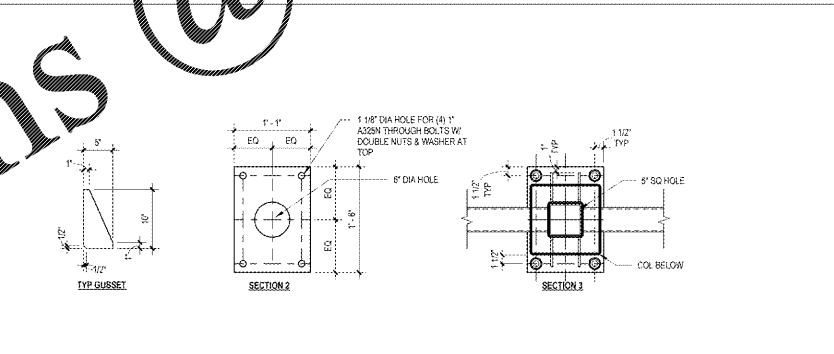
11 HIGH OUTRIGGER TO TRUSS CONNECTION
CS4 1 1/2" x 1 1/2"



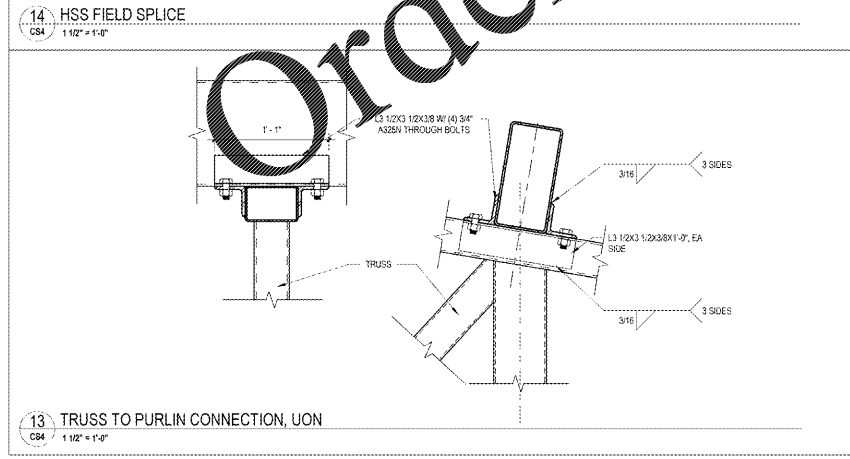
7 LOW HSS TO HSS CONNECTION
CS4 1 1/2" x 1 1/2"



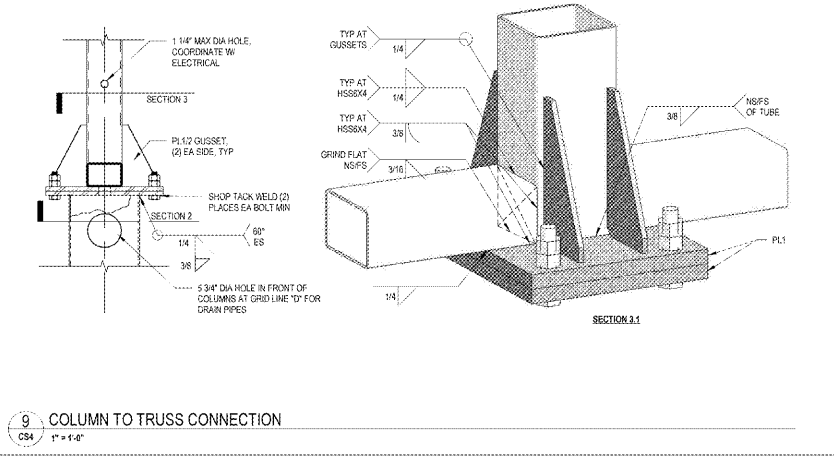
14 HSS FIELD SPLICE
CS4 1 1/2" x 1 1/2"



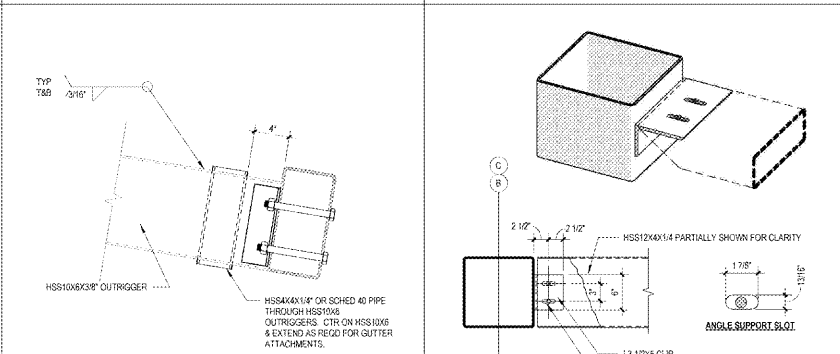
6 TRUSS CONNECTION WELDS, TYP
CS4 1 1/2" x 1 1/2"



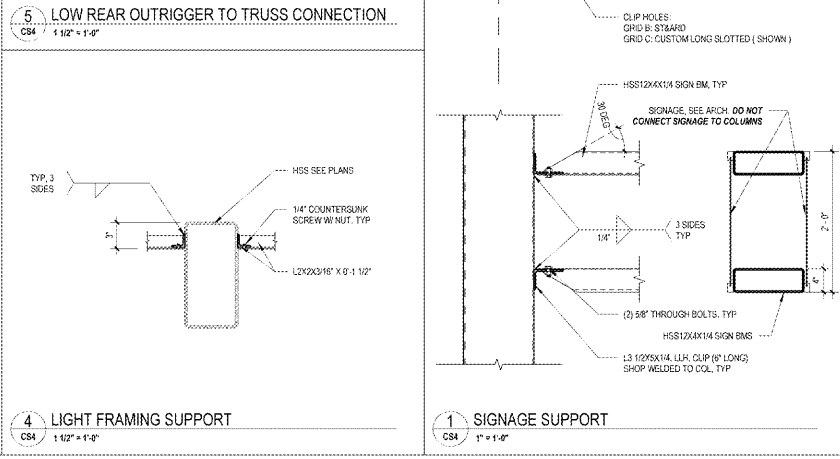
13 TRUSS TO PURLIN CONNECTION, UON
CS4 1 1/2" x 1 1/2"




9 COLUMN TO TRUSS CONNECTION
CS4 1" x 1 1/2"



5 LOW REAR OUTRIGGER TO TRUSS CONNECTION
CS4 1 1/2" x 1 1/2"



4 LIGHT FRAMING SUPPORT
CS4 1 1/2" x 1 1/2"



Cuhaci & Peterson
Architects Engineers Planners
1925 Prospect Avenue, Orlando, FL 32814
407-438-4444 Fax 407-438-4444

CLIENT NAME: **WAWA**
260 WEST BALTIMORE PIKE
WAWA, PENNSYLVANIA 19063

PROJECT NAME: **WAWA STRAIGHT 6 GAS CANOPY 2019.01 STORE #5357-DOR**
NW 87TH AVE. & NW 33RD ST.
DORAL, FLORIDA

SHEET TITLE: **DETAILS**

No.	Description	Date
1	PRELIMINARY	04/17/2019
2	PRELIMINARY REVIEW	05/05/2019
3	REVISED	05/05/2019
4	REVISED	05/05/2019

PROJECT NO.: 217108
DATE: 08/03/2018
DRAWN BY: JEFFREY STAFF
CHECKED BY: JEFFREY STAFF

CS4