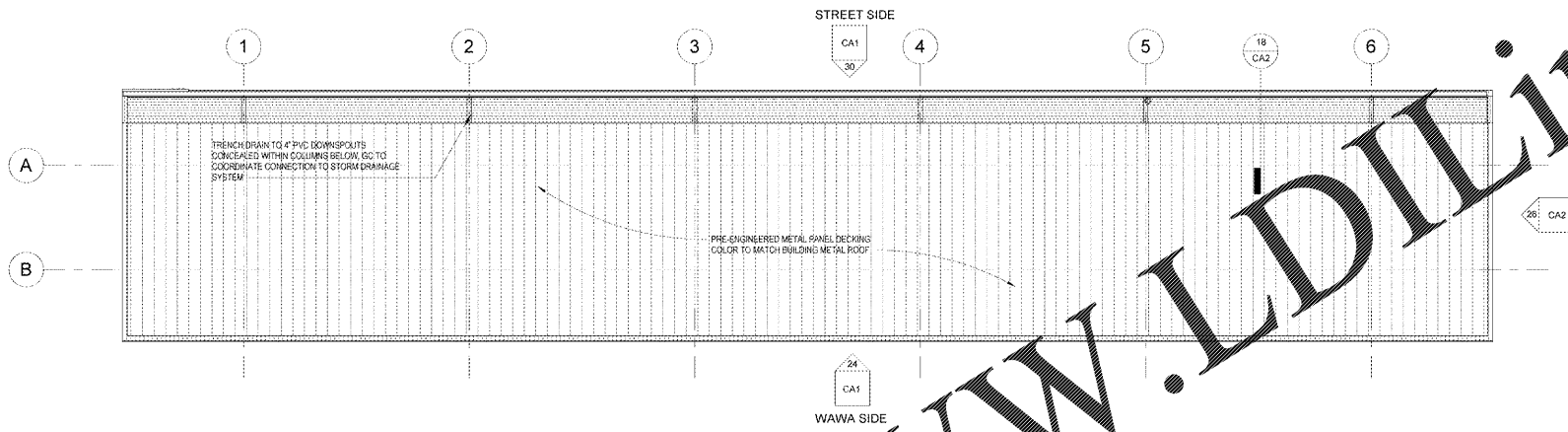
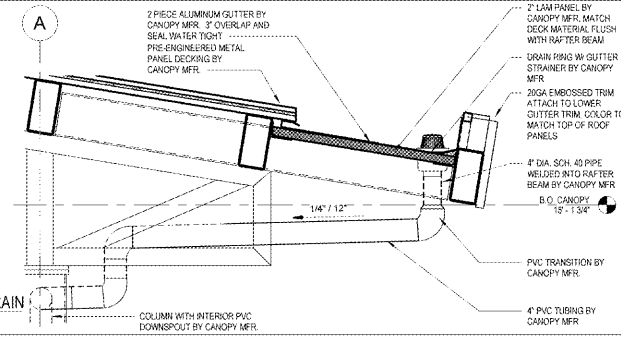


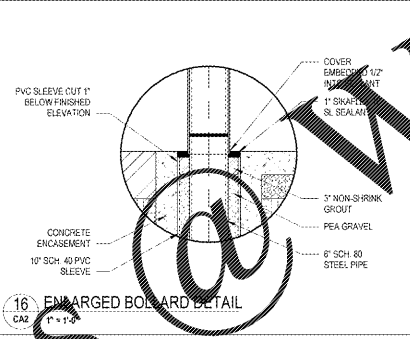
6 CANOPY REFLECTED CEILING PLAN
CA2 18" x 1'-0"



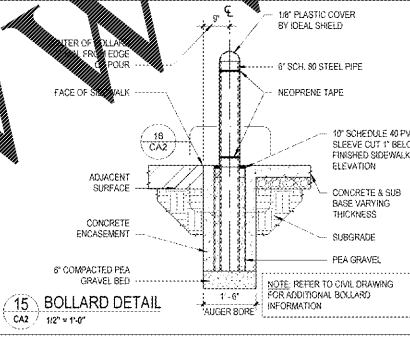
12 CANOPY ROOF PLAN
CA2 18" x 1'-0"



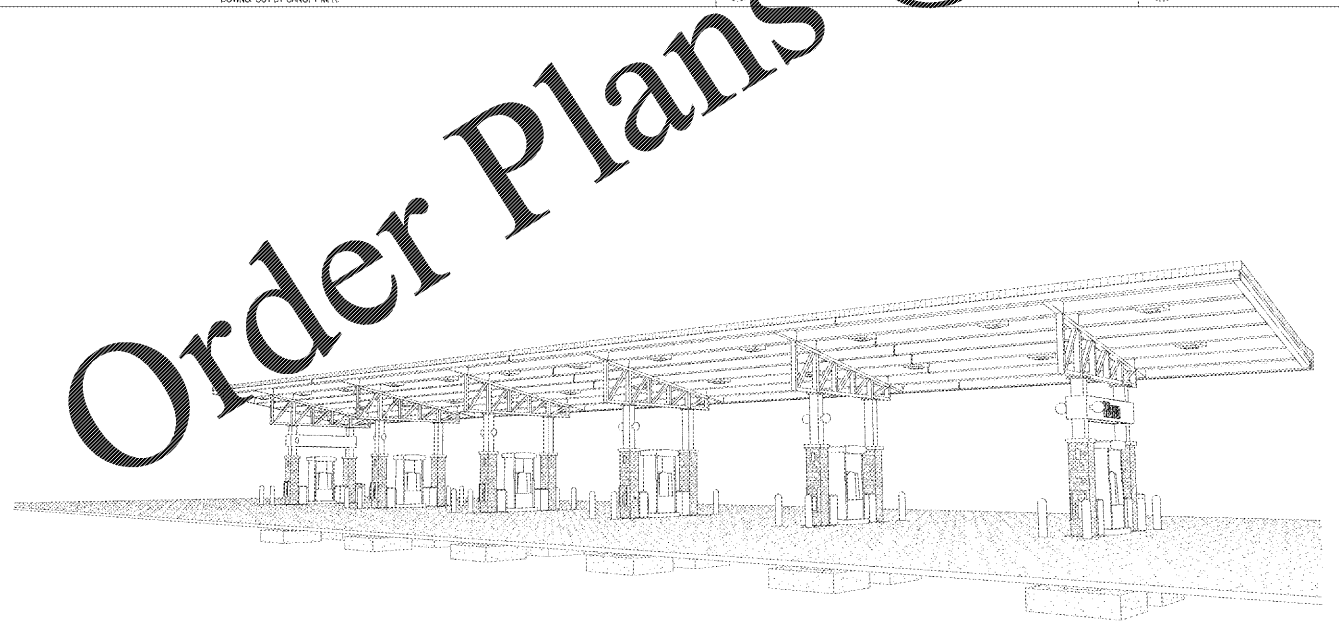
18 SECTION @ TRENCH DRAIN
CA2 3/4" x 1'-0"



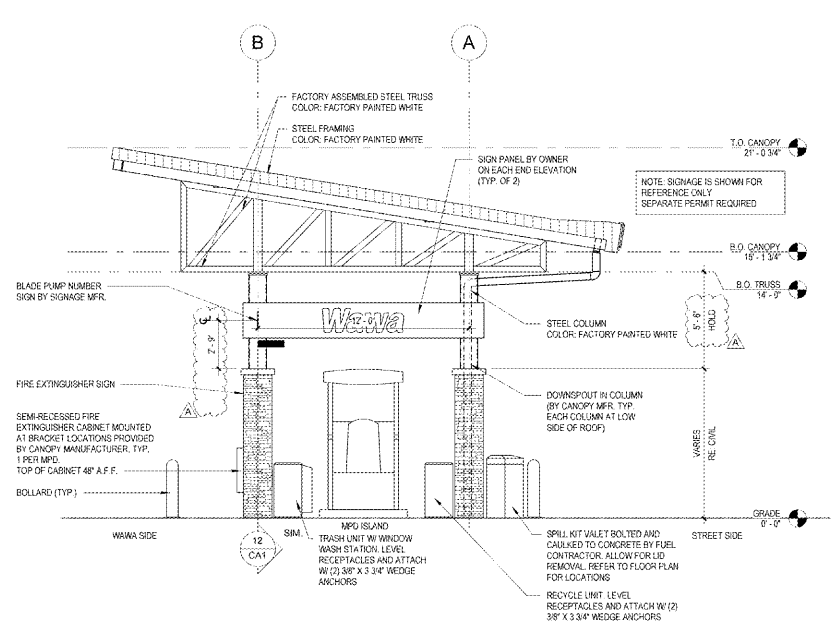
16 ENLARGED BOLLARD DETAIL
CA2 1" x 1"



15 BOLLARD DETAIL
CA2 12" x 1'-0"



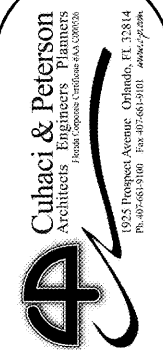
30 PERSPECTIVE (FOR REFERENCE ONLY)
CA2



26 CANOPY SECTION
CA2 3/4" x 1'-0"

Order Plans

WWW.LDILine.com



Cuhaci & Peterson
Architects Engineers Planners
1925 Prospect Avenue, Orlando, FL 32814
Phone: 407-438-1111 Fax: 407-438-1111

CLIENT NAME
WAWA
260 WEST BALTIMORE PIKE
WAWA, PENNSYLVANIA 19063

PROJECT NAME
WAWA STRAIGHT 6 GAS CANOPY 2019.01 STORE #5357-DOR
NW 87TH AVE. & NW 33RD ST.
DORAL, FLORIDA

No.	Date	Description
1	08/03/2018	PRELIMINARY
2	08/03/2018	REVISED
3	08/03/2018	REVISED
4	08/03/2018	REVISED

PROJECT NO.
271108
DATE
08/03/2018
DRAWN
JAN
CHECKED
DU

CA2

ARCHITECTURAL CANOPY PLAN, ELEVATIONS, AND DETAILS