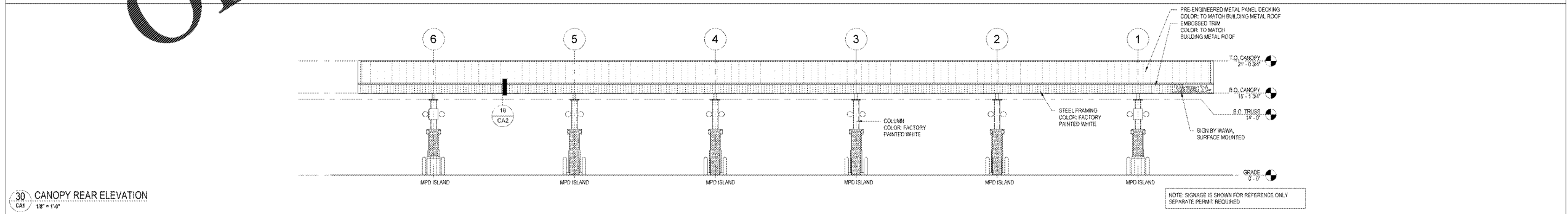
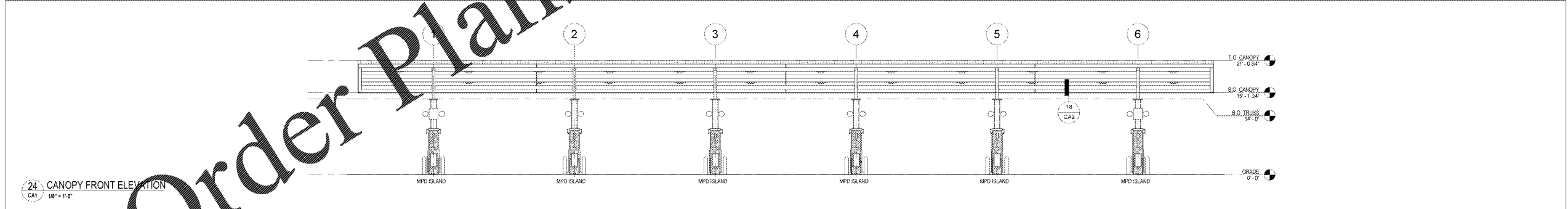
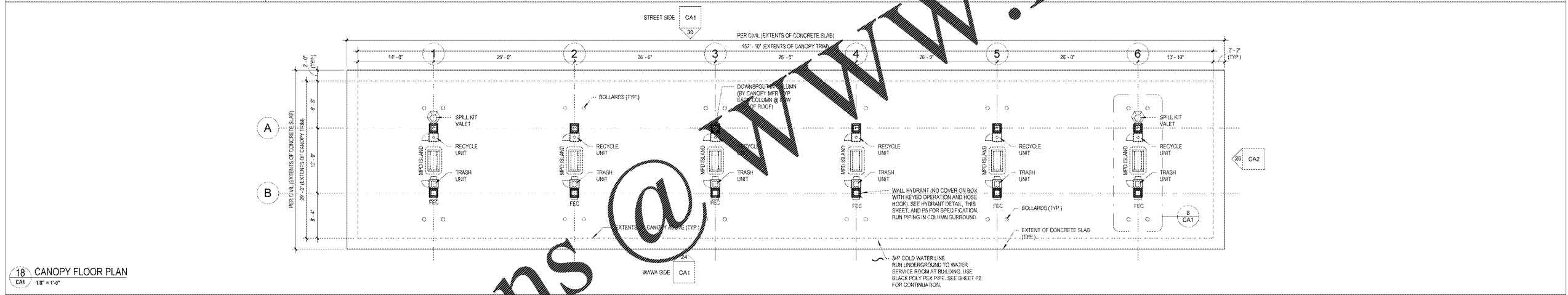


**GENERAL NOTES:**

1. ALL WORK SHALL COMPLY WITH THE FLORIDA BUILDING CODE 6TH EDITION (2017), THE FLORIDA FIRE PROTECTION CODE 6TH EDITION (2017), 2012 NFPA 30A CODE FOR MOTOR FUEL DISPENSING FACILITIES AND REPAIR GARAGES, AND 2013 NFPA 10 STANDARD FOR PORTABLE FIRE EXTINGUISHERS. SEE COVER SHEET FOR DETAILED CODE INFORMATION.
2. FUEL DISPENSING SYSTEMS (NFPA 30A 6.7 EMERGENCY ELECTRICAL DISCONNECTS) SHALL BE PROVIDED WITH ONE OR MORE CLEARLY IDENTIFIED EMERGENCY SHUT OFF DEVICES OR ELECTRICAL DISCONNECTS. SUCH DEVICES OR DISCONNECTS SHALL BE INSTALLED IN APPROVED LOCATIONS BUT NOT LESS THAN 20 FEET OR MORE THAN 100 FEET FROM THE FUEL DISPENSING DEVICES THAT THEY SERVE.
3. FIRE EXTINGUISHER CABINETS (IF E.O.) SHALL BE STAINLESS STEEL SURFACE MOUNTED AS MANUFACTURED BY J.L. INDUSTRIES COSMOPOLITAN SERIES, MODEL #3033 WITH FULL CLEAR ACRYLIC GLAZING ON DOOR. FIRE EXTINGUISHER CABINETS ARE SUPPLIED BY WAWA AND INSTALLED BY GENERAL CONTRACTOR. ONE PER MPD ISLAND. SEE DETAILS THIS SHEET FOR REQUIRED MOUNTING HEIGHTS.
4. FIRE EXTINGUISHERS SHALL HAVE A MINIMUM UL RATING OF 4A-50-B-C (HIGH FLOW). FIRE EXTINGUISHERS TO COMPLY WITH 2012 NFPA 30A AND MEET OR EXCEED 2013 NFPA 10 CLASS B SPECIAL HAZARD FIRE PROTECTION RECOMMENDATIONS. FIRE EXTINGUISHERS ARE SUPPLIED BY WAWA AND INSTALLED BY PETROLEUM CONTRACTOR. ONE PER MPD ISLAND.
5. FIRE EXTINGUISHER SIGNS PROVIDED AND INSTALLED BY WAWA. SEE DETAIL THIS SHEET FOR REQUIRED MOUNTING HEIGHT.
6. WARNING SIGNS SHALL BE PROVIDED BY WAWA AND INSTALLED BY THE PETROLEUM CONTRACTOR AT EACH MPD ISLAND. WARNING SIGNS (2017 FPPD 1-42, 1-3, 3 AND 2012 NFPA 305 1.1, 1.4, 5) SHALL NOT BE LIMITED TO:
  - a. NO SMOKING
  - b. STOP ENGINE
  - c. UNLAWFUL TO DISPENSE GASOLINE INTO UNAPPROVED TANKERS
7. EMERGENCY INSTRUCTIONS (2017 FPPD 1-42, 1-3, 3 AND 2012 NFPA 305 1.1, 1.4, 5) SHALL BE PROVIDED BY WAWA AND INSTALLED BY THE PETROLEUM CONTRACTOR. SIGNS SHALL BE INSTALLED IN THE DISPENSER AREA AND SHALL INCORPORATE THE FOLLOWING:
  - a. EMERGENCY INSTRUCTIONS IN CASE OF FIRE OR SPILL
  - b. USE EMERGENCY STOP VALVE TO STOP FUEL FLOW
  - c. REPORT ACCIDENT TO LOCAL FIRE DEPARTMENT, REPORT LOCATION
8. LOCATION OF TRASH UNITS AND RECYCLE UNITS SHOWN AS SHOWN ON FLOOR PLAN. LEVEL RECEPTACLES WITH ADJUSTABLE LEVELS AND ANCHOR TO CONCRETE SURFACE USING (2) 3/8" x 3/4" WEDGE ANCHORS PER UNIT. UNITS ARE TO BE FURNISHED AND INSTALLED BY WAWA.
9. SPILL KIT VALET SHALL BE AS SHOWN ON FLOOR PLAN. ANCHOR TO CONCRETE SURFACE WITH ANCHOR BOLTS AND WING NUT FASTENERS. SPILL KIT VALETS ARE SUPPLIED BY WAWA AND INSTALLED BY PETROLEUM CONTRACTOR.
10. IF M.P.D. IS ACCEPTED OR REQUIRED BY WAWA REAL ESTATE ENGINEER AND PROJECT INSURANCE COMPANY, ELECTRICAL CANOPY PLANS, DETAILS, AND SCHEDULES FOR MUSIC REQUIREMENTS MUSIC SHALL BE INSTALLED BY THE PETROLEUM CONTRACTOR.
11. PERSEY CANOPY CONFIGURATION ON FINAL SITE PLAN.
12. ALL METAL AND ALUMINUM TRIM SHALL MATCH ATAS #26 BONE WHITE UNLESS NOTED OTHERWISE (S.U.C).
13. ALL PETROLEUM EQUIPMENT INCLUDING PUMPS AND TANKS WILL BE UNDER A SEPARATE PERMIT SUBMITTED BY THE PETROLEUM CONTRACTOR.



**Cuhaci & Peterson Architects Planners**  
1925 Troupers Avenue, Orlando, FL 32814  
Phone: 407-651-1111 Fax: 407-651-1111

**CLIENT NAME:** WAWA  
**PROJECT NAME:** WAWA STRAIGHT 6 GAS CANOPY 2019.01 STORE #5357-DOR  
**ADDRESS:** 260 WEST BALTIMORE PIKE, DORAL, FLORIDA  
**SHEET TITLE:** ARCHITECTURAL CANOPY PLAN, ELEVATIONS, AND DETAILS

No.	Description	Date
1	PRELIMINARY	08/17/2019
2	PRELIMINARY	08/17/2019
3	PRELIMINARY	08/17/2019
4	PRELIMINARY	08/17/2019
5	PRELIMINARY	08/17/2019
6	PRELIMINARY	08/17/2019
7	PRELIMINARY	08/17/2019
8	PRELIMINARY	08/17/2019
9	PRELIMINARY	08/17/2019
10	PRELIMINARY	08/17/2019
11	PRELIMINARY	08/17/2019
12	PRELIMINARY	08/17/2019
13	PRELIMINARY	08/17/2019
14	PRELIMINARY	08/17/2019
15	PRELIMINARY	08/17/2019
16	PRELIMINARY	08/17/2019
17	PRELIMINARY	08/17/2019
18	PRELIMINARY	08/17/2019
19	PRELIMINARY	08/17/2019
20	PRELIMINARY	08/17/2019
21	PRELIMINARY	08/17/2019
22	PRELIMINARY	08/17/2019
23	PRELIMINARY	08/17/2019
24	PRELIMINARY	08/17/2019
25	PRELIMINARY	08/17/2019
26	PRELIMINARY	08/17/2019
27	PRELIMINARY	08/17/2019
28	PRELIMINARY	08/17/2019
29	PRELIMINARY	08/17/2019
30	PRELIMINARY	08/17/2019

**PROJECT NO.:** 217168  
**DATE:** 08/03/2019  
**DRAWN BY:** BAWAN  
**CHECKED BY:** DU

**NOTE:** SIGNAGE IS SHOWN FOR REFERENCE ONLY SEPARATE PERMIT REQUIRED

**CA1**