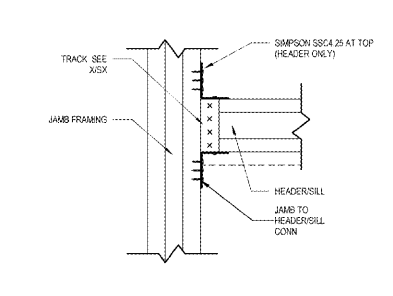
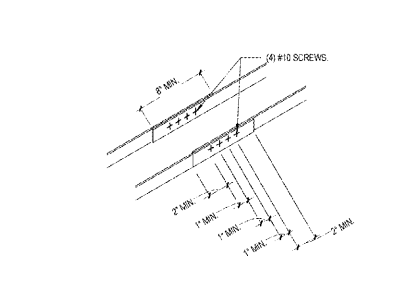


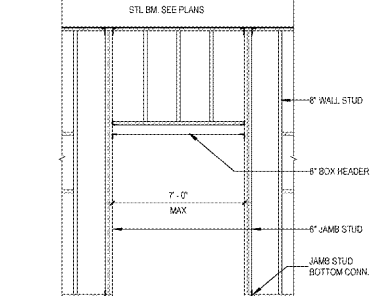
18 TOWER WALL CONNECTIONS1
SS 1 1/2" x 1'-0"



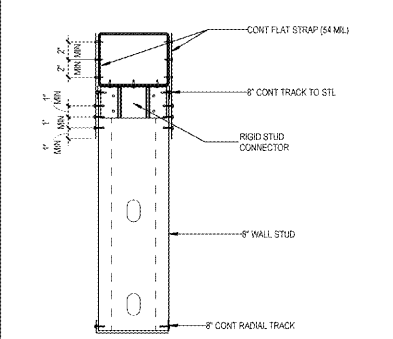
13 HEADER/SILL TO JAMB CONNECTIONS1
SS 1 1/2" x 1'-0"



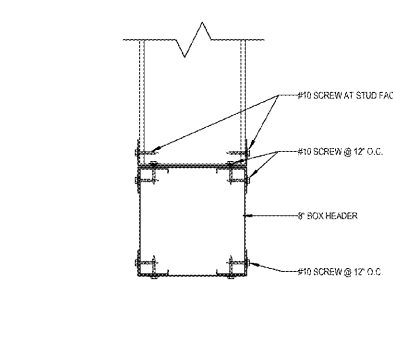
8 STRAP SPLICE DETAIL1
SS 1" x 1'-0"



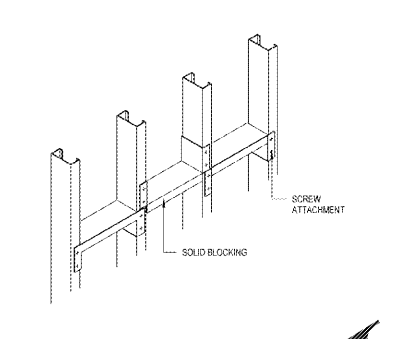
3 DOOR OPENING FRAMING1
SS 3/8" x 1'-0"



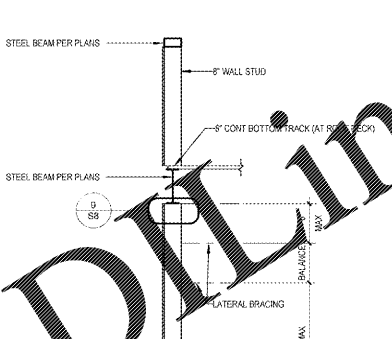
17 TOWER FRONT ARCH FRAMING DETAIL1
SS 1 1/2" x 1'-0"



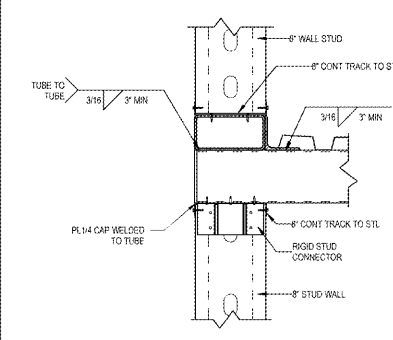
12 HEADER DETAIL1
SS 3" x 1'-0"



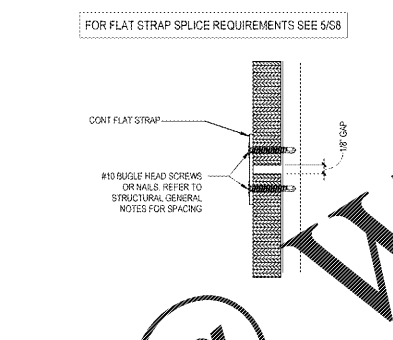
7 SOLID BLOCKING DETAIL1
SS 3/4" x 1'-0"



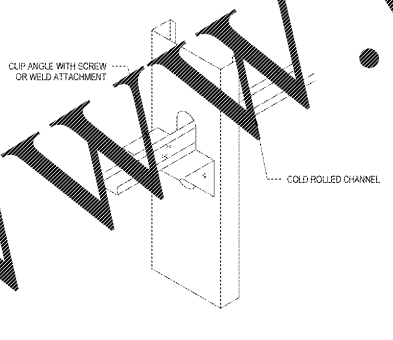
6 CHANNEL BRIDGING DETAIL1
SS 1/2" x 1'-0"



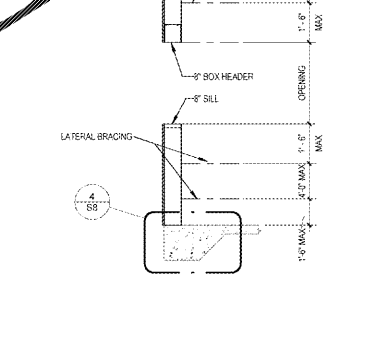
16 TOWER WALL CONNECTION AT EDGE OF WALL1
SS 1 1/2" x 1'-0"



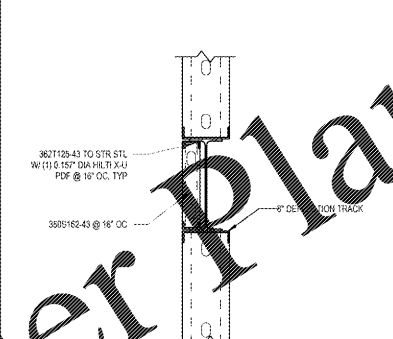
11 ENLARGED PLYWOOD STRAP DETAIL1
SS 1 1/2" x 1'-0"



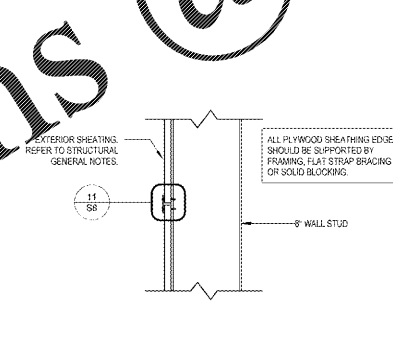
5 FLAT STRAPPING DETAIL1
SS 3/4" x 1'-0"



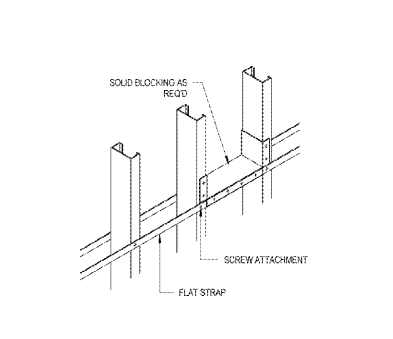
2 TYPICAL EXTERIOR WINDOW FRAMING1
SS 3/8" x 1'-0"



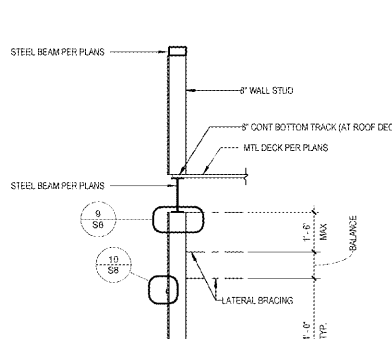
15 TOP CONNECTION1
SS 1" x 1'-0"



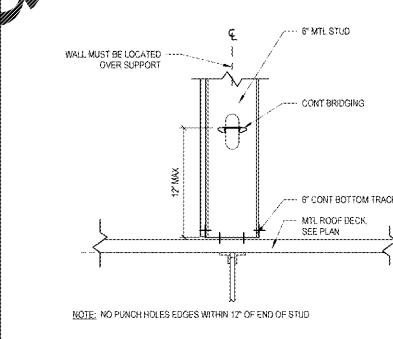
10 PLYWOOD STRAPPING DETAIL1
SS 1 1/2" x 1'-0"



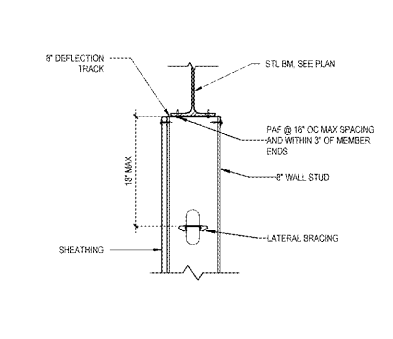
4 LIGHT GAUGE INFILL WALL BASE CONNECTION
SS 1 1/2" x 1'-0"



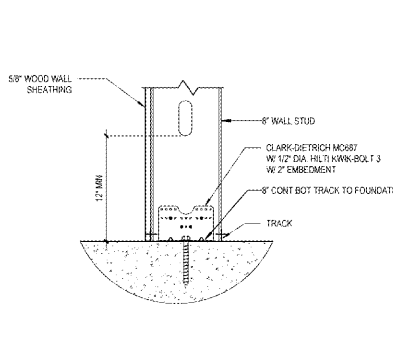
1 TYPICAL EXTERIOR WALL FRAMING1
SS 3/8" x 1'-0"



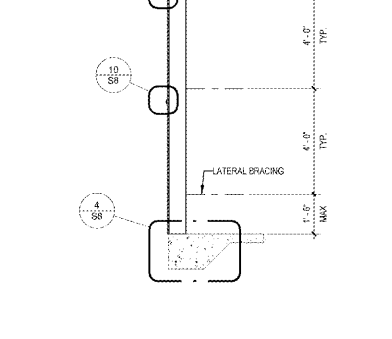
14 TOWER COLD-FORMED FRAMING BASE CONNECTION - CHANNEL PERPENDICULAR
SS 1 1/2" x 1'-0"



9 COLD-FORMED WALL TO BOTTOM OF STEEL CONN1
SS 1 1/2" x 1'-0"



19 BOTTOM TRACK TO MTL DECK1
SS 1" x 1'-0"



1 TYPICAL EXTERIOR WALL FRAMING1
SS 3/8" x 1'-0"

EXTERIOR CLADDING ON EXTERIOR SHEATHING SHALL BE BOPAL STONE ADHERED MASONRY VENEER (1/4\"/>

EXTERIOR COLD-FORMED FRAMING NOTES		
WT	NOTES	COMMENTS
8\"/>	CONT 800T125-54MIL(16GA) W/ (2) #10 SCREWS TO EA STUD & W/ (2) PAF @ 16\"/>	AT OVERHANGS
8\"/>	800S162-54MIL(16GA)(50KSI) PUNCHED STUD SPACED @ 16\"/>	AT OVERHANGS
8\"/>	(2) 800S162-54MIL(16GA) STUDS & (2) 800T125-54MIL(16GA) TRACKS T&B	ALL EXTERIOR WALLS
8\"/>	SEE DETAIL 4, THIS SHEET	ALL EXTERIOR WALLS
8\"/>	CONT 800T125-54MIL (16GA) (50 KSI) W/ (2) #10 SCREWS TO EA STUD AND (2) #10 SCREWS TO ROOF DECK @ 12\"/>	AT OVERHANGS
8\"/>	SIMPSON STRONG-TIE READY ARCH	
8\"/>	CONT 800T125-54 MIL (16 GA) (50 KSI) W/ (2) PAF TO STEEL AT 12\"/>	EA END OF TRACK
8\"/>	CONT CLARKDIETRICH MAX 68MIL(14GA) (50KSI) 1/2\"/>	
8\"/>	CONT 800T125-54 MIL (16 GA) (50 KSI) W/ (2) PAF TO STEEL AT 12\"/>	EA END OF TRACK
8\"/>	(2) 800S162-54MIL(16GA) STUDS & (2) 800T125-54MIL(16GA) TRACKS T&B TO EA STUD USING #10 TEK SCREWS @ 12\"/>	
8\"/>	(1) 800S162-54MIL(16GA)	ALL EXTERIOR WALLS (MAX LENGTH 6'-0\")
8\"/>	800S162-54MIL(16GA)(50KSI) PUNCHED STUD - SEE COMMENTS FOR SPACING	STUD AT 12\"/>
CONT FLAT STRAP	2\"/>	INSTALLED ON THE EXTERIOR SIDE ONLY
CONT FLAT STRAP (54 MLL)	2\"/>	12\"/>
LATERAL BRACING	BRIDGING, BLOCKING, OR FLAT STRAPPING (GC PREFERENCE) - SEE DETAILS	4'-0\"/>

COLD-FORMED FASTENER SCHEDULE			
FASTENER TYPE	FASTENER INFORMATION	APPLICATION	COMMENTS
#10 SCREW	#10 SELF-DRILLING SCREW	COLD FORM STEEL TO COLD FORM STEEL (16 GA OR THICKER)	16 THREADS PER INCH, #3 DRILL POINT
#10 SCREW	#10 SELF-DRILLING SCREW	COLD FORM STEEL TO METAL DECK	16 THREADS PER INCH, #1 DRILL POINT
PAF	GALVANIZED - 0.157\"/>	EXTERIOR	SIMPSON PDPA OR HILTI X-U

COLD-FORMED CONNECTOR SCHEDULE		
LOCATION	CONNECTOR	INSTALLATION NOTES
8\"/>	800S162-54MIL(16 GA)(50KSI) PUNCHED STUD SPACED @ 16\"/>	ALL EXTERIOR WALLS
BOX COL BOTTOM CONN	3X1 1/2X54MIL(16GA) CLIP 7\"/>	(4) #10 SCREWS THROUGH LONG LEG TO BOX COL & W/ (2) 1/4\"/>
BOX COL TO JOIST	(2) VERTICLIP SL800-66(14GA)	(3) #12-14 HHW SCREWS W/ STEP BUSHING BY THE STEEL NETWORK TO STUD & W/ (2) 0.157\"/>
JAMB STUD NETWORK STIFFCLIP CL800-68	THE STEEL NETWORK STIFFCLIP CL800-68	FASTEN TO STUDS USING (6) #12 TEK SCREWS PATTERN #3 & FASTEN TO CONC USING (1) 1/2\"/>
JAMB TO HEADERSILL CONN	SIMPSON SSC4.25 (LLV)	(5) #10 SCREWS INTO JAMB AND (4) #10 SCREWS INTO HEADERSILL
RIGID STUD CONNECTOR	STEEL NETWORK STIFFCLIP AL800	(4) #10-16 HHW SCREWS THROUGH LONG LEG TO STUD & W/ (3) 0.157\"/>

FRAMING NOTES:
 1. SCREWS OR NAILS SHALL PENETRATE ALL FRAMING COMPONENTS.
 2. SCREWS SHALL HAVE A MIN. OF THREE EXPOSED THREADS EXTENDING THROUGH THE STEEL BEYOND ALL FRAMING COMPONENTS CONNECTED.
 3. PROVIDE 1/2\"/>

Cuhaci & Peterson
Architects
Engineers
Planners

1925 Prospect Avenue, Orlando, FL 32814
Phone: 407.437.4141 Fax: 407.437.4141 www.cph.com

WAWA
260 WEST BALTIMORE PIKE
WAWA, PENNSYLVANIA 19063

PROJECT NAME
WAWA F85FB 2019.01 STORE #5357-DOR
NW 87TH AVE. & NW 33RD ST.
DORAL, FLORIDA

SHEET TITLE
COLD-FORMED STEEL FRAMING DETAILS

No.	Description	Date	Drawn	Checked
1	ISSUED FOR PERMIT	08/03/2019	JL	JL
2	REVISED	08/03/2019	JL	JL
3	REVISED	08/03/2019	JL	JL
4	REVISED	08/03/2019	JL	JL
5	REVISED	08/03/2019	JL	JL

PROJECT NO.
217-108

DATE
08/03/2019

DRAWN
JL

CHECKED
JL

SCALE
AS SHOWN

SHEET NO.
S8