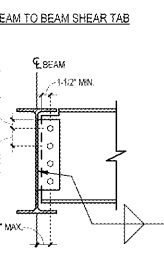
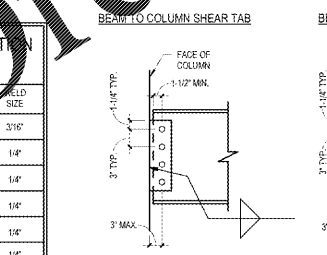
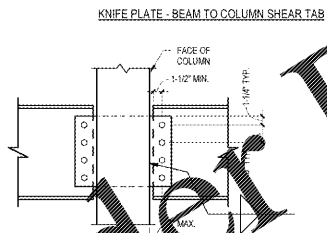
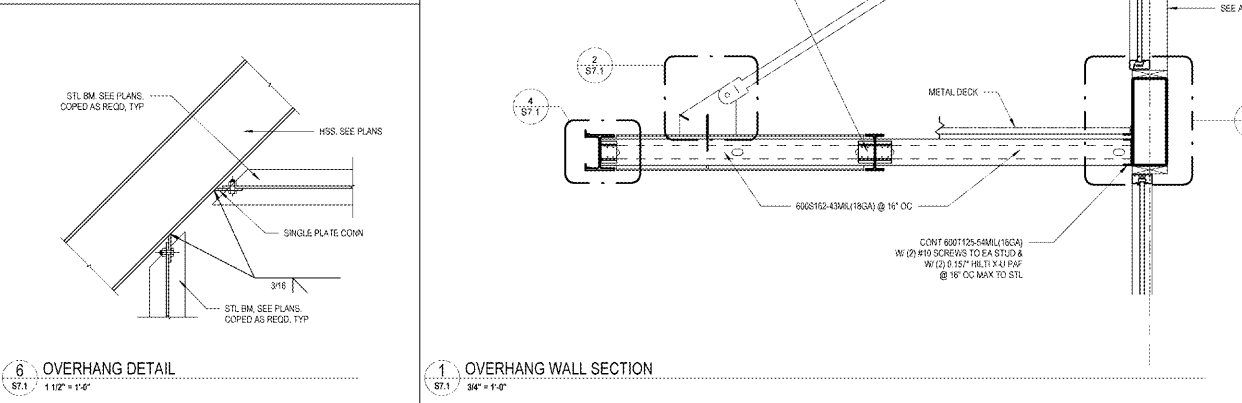
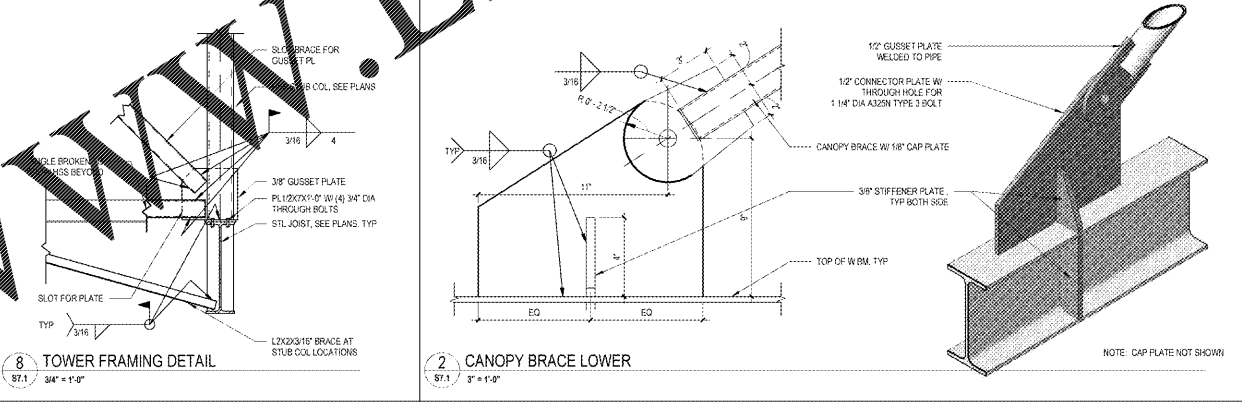
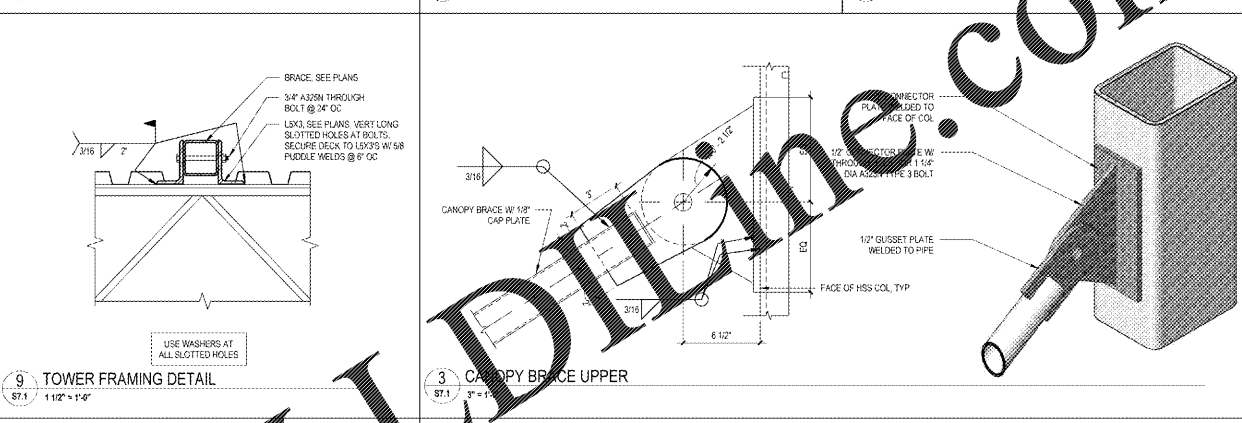
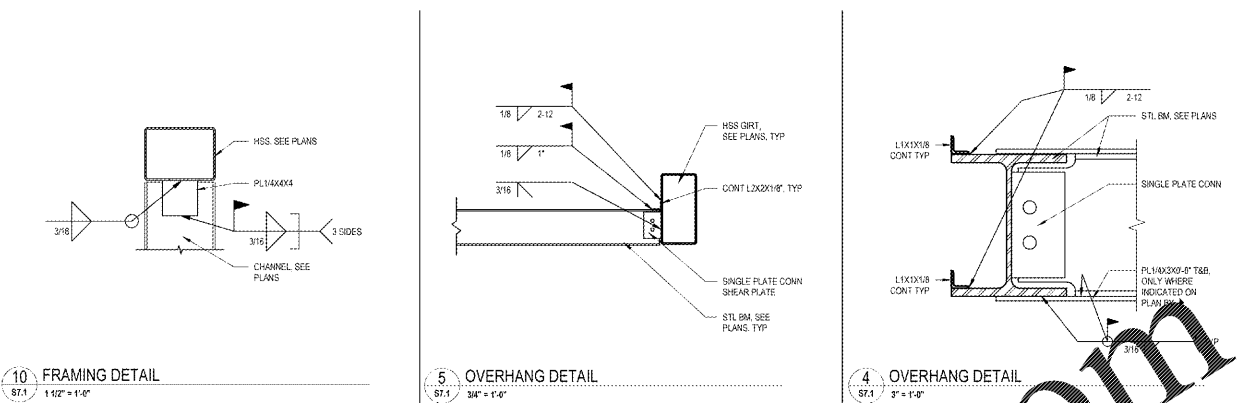


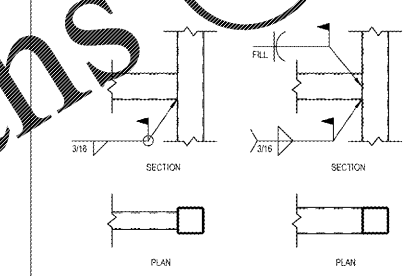
Revision	Number	Date	Description
1	08/03/2019	08/03/2019	ISSUED FOR PERMIT
2	08/03/2019	08/03/2019	REVISED
3	08/03/2019	08/03/2019	REVISED
4	08/03/2019	08/03/2019	REVISED
5	08/03/2019	08/03/2019	REVISED



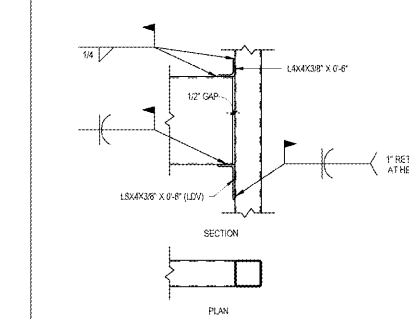
BEAM SIZE	NUMBER OF 3/4\"/>			
W8, W10	2	5/16"	5-1/2"	3/16"
W12, W14	3	5/16"	9-1/2"	1/4"
W16	4	3/8"	11-1/2"	1/4"
W18	5	3/8"	14-1/2"	1/4"
W21	6	3/8"	17-1/2"	1/4"
W24, W27	7	3/8"	20-1/2"	1/4"

**NOTES:**  
 1. MINIMUM THICKNESS OF SUPPORTING MEMBER TO BE 0.25" WHEN THE WELDS FROM A SECOND CONNECTION ON THE SUPPORTING MEMBER ARE DIRECTLY OPPOSITE. MINIMUM THICKNESS TO BE 0.25".  
 2. PROVIDE HORIZONTAL, SHORT SLOTTED HOLES IN BEAM WEB ONLY.

**13 SINGLE PLATE SHEAR CONNECTION**  
 S7.1 3/4" x 1'-0"



**12 TYPICAL HSS TO HSS WELDS**  
 S7.1 3/4" x 1'-0"



**11 HSS20X8 TO HSS CONNECTION**  
 S7.1 3/4" x 1'-0"

**Order Plans @ WWW.LDLINE.COM**