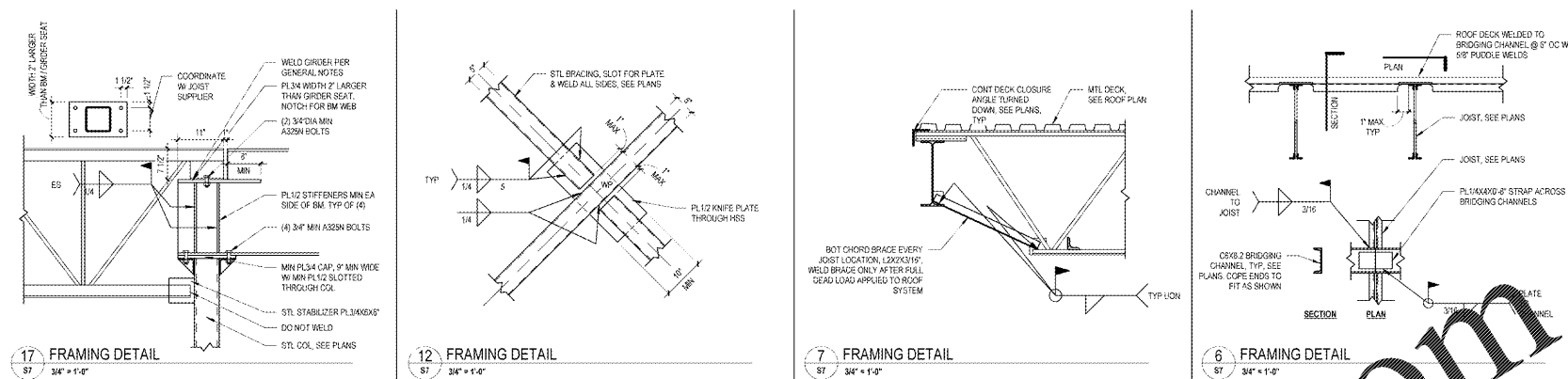
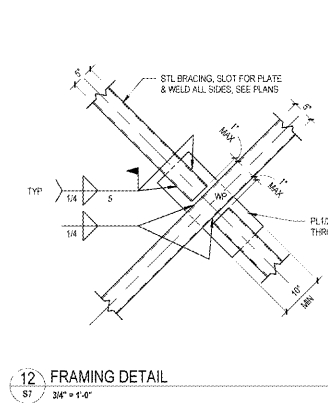


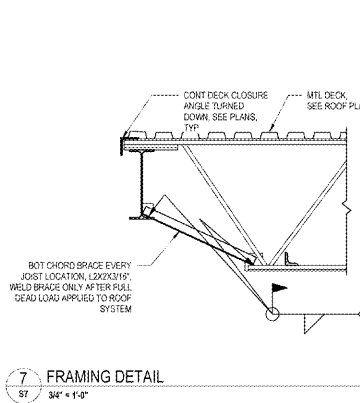
Order Plans @



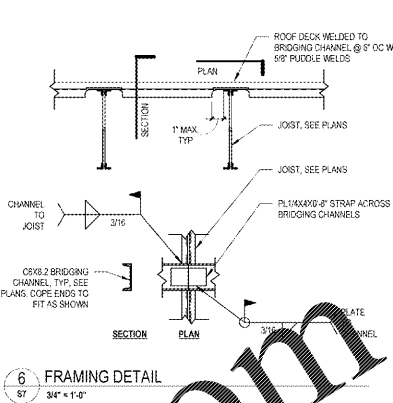
17 FRAMING DETAIL  
ST 3/4" x 1'-0"



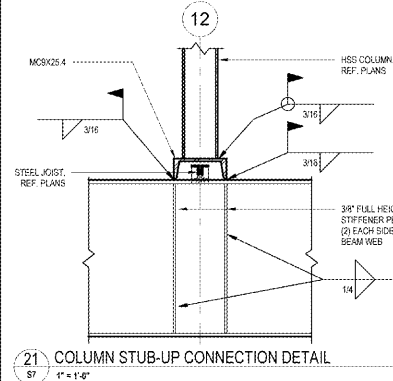
12 FRAMING DETAIL  
ST 3/4" x 1'-0"



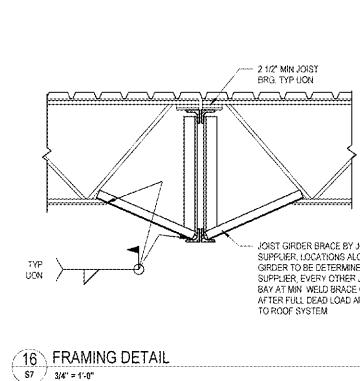
7 FRAMING DETAIL  
ST 3/4" x 1'-0"



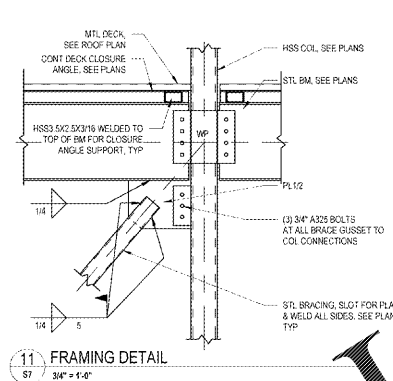
6 FRAMING DETAIL  
ST 3/4" x 1'-0"



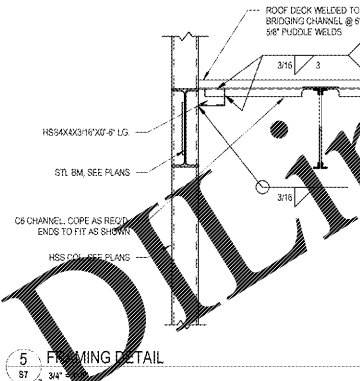
21 COLUMN STUB-UP CONNECTION DETAIL  
ST 1\"/>



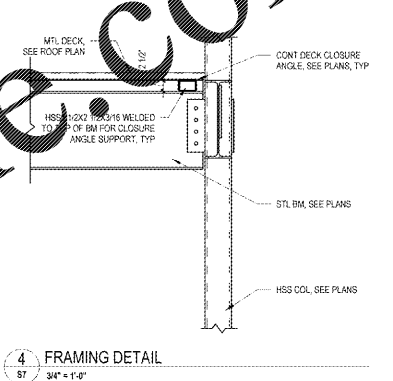
16 FRAMING DETAIL  
ST 3/4" x 1'-0"



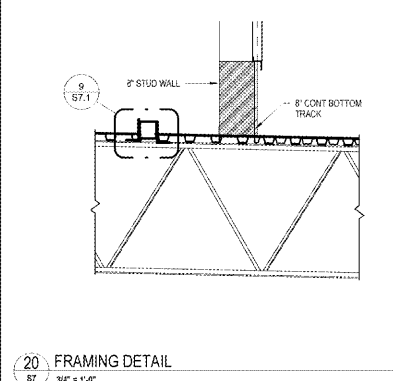
11 FRAMING DETAIL  
ST 3/4" x 1'-0"



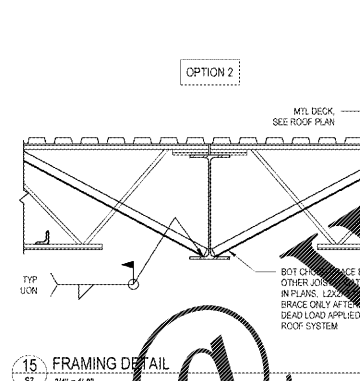
5 FRAMING DETAIL  
ST 3/4" x 1'-0"



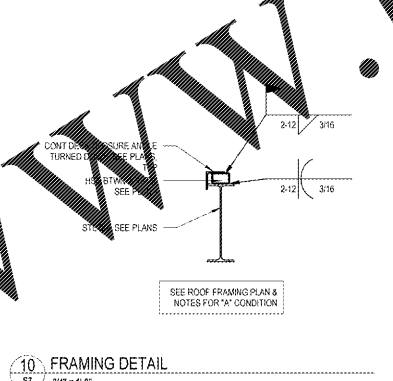
4 FRAMING DETAIL  
ST 3/4" x 1'-0"



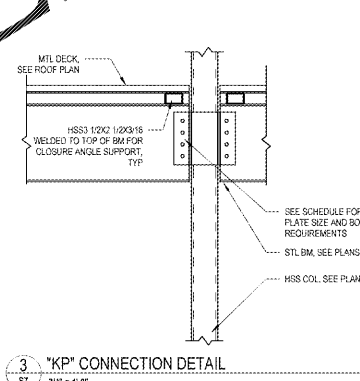
20 FRAMING DETAIL  
ST 3/4" x 1'-0"



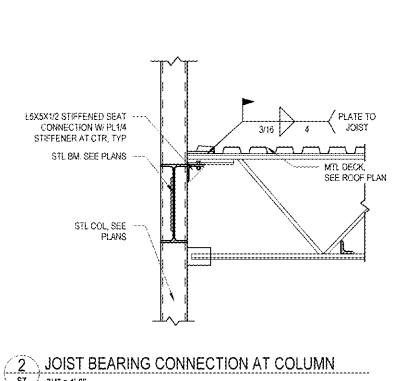
15 FRAMING DETAIL  
ST 3/4" x 1'-0"



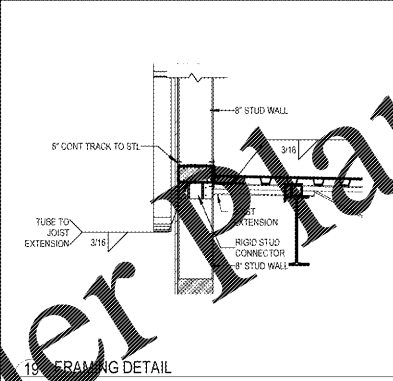
10 FRAMING DETAIL  
ST 3/4" x 1'-0"



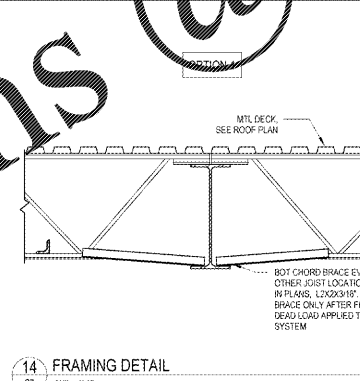
3 "KP" CONNECTION DETAIL  
ST 3/4" x 1'-0"



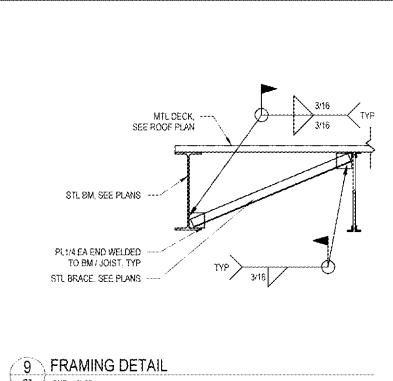
2 JOIST BEARING CONNECTION AT COLUMN  
ST 3/4" x 1'-0"



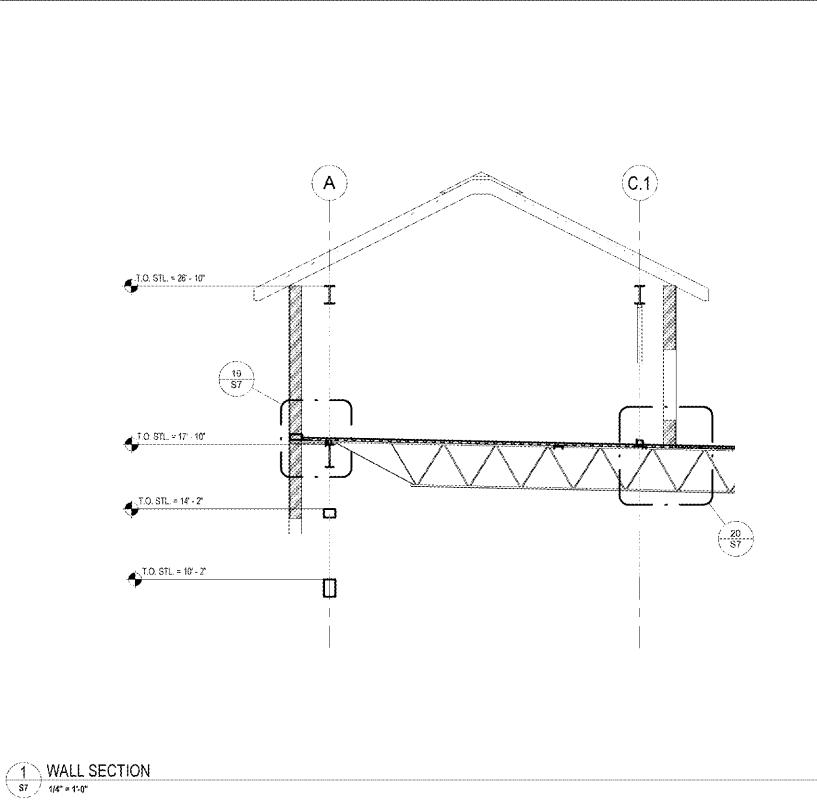
19 FRAMING DETAIL  
ST 3/4" x 1'-0"



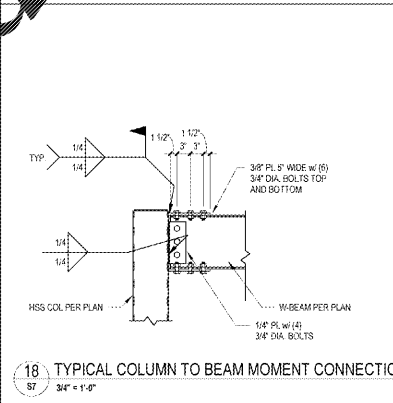
14 FRAMING DETAIL  
ST 3/4" x 1'-0"



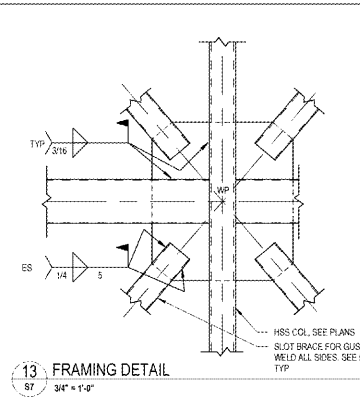
9 FRAMING DETAIL  
ST 3/4" x 1'-0"



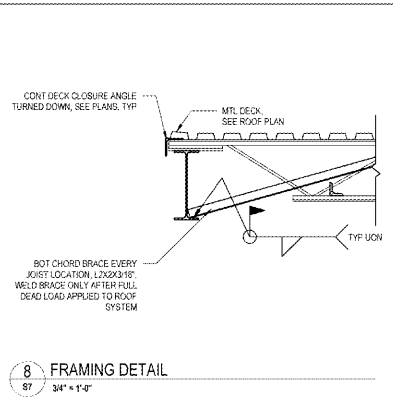
1 WALL SECTION  
ST 1/4" x 1'-0"



18 TYPICAL COLUMN TO BEAM MOMENT CONNECTION  
ST 3/4" x 1'-0"



13 FRAMING DETAIL  
ST 3/4" x 1'-0"



8 FRAMING DETAIL  
ST 3/4" x 1'-0"

**Cuhaci & Peterson**  
 Architects  
 Engineers  
 Planners  
 1925 Prospect Avenue, Orlando, FL 32814  
 407-836-4411 Fax 407-836-4411 [www.cpe.com](http://www.cpe.com)

---

CLIENT NAME: **WAWA**  
 260 WEST BALTIMORE PIKE  
 WAWA, PENNSYLVANIA 19063

---

PROJECT NAME: **WAWA F85FB 2019.01 STORE #5357-DOR**  
 NW 87TH AVE. & NW 33RD ST.  
 DORAL, FLORIDA

---

SHEET TITLE: **FRAMING DETAILS**

---

No.	Revision	Description	Date
1	ISSUED FOR PERMIT	REVISED PER COMMENTS	08/03/2018
2	REVISED PER COMMENTS	REVISED PER COMMENTS	08/03/2018
3	REVISED PER COMMENTS	REVISED PER COMMENTS	08/03/2018
4	REVISED PER COMMENTS	REVISED PER COMMENTS	08/03/2018
5	REVISED PER COMMENTS	REVISED PER COMMENTS	08/03/2018
6	REVISED PER COMMENTS	REVISED PER COMMENTS	08/03/2018
7	REVISED PER COMMENTS	REVISED PER COMMENTS	08/03/2018
8	REVISED PER COMMENTS	REVISED PER COMMENTS	08/03/2018
9	REVISED PER COMMENTS	REVISED PER COMMENTS	08/03/2018
10	REVISED PER COMMENTS	REVISED PER COMMENTS	08/03/2018
11	REVISED PER COMMENTS	REVISED PER COMMENTS	08/03/2018
12	REVISED PER COMMENTS	REVISED PER COMMENTS	08/03/2018
13	REVISED PER COMMENTS	REVISED PER COMMENTS	08/03/2018
14	REVISED PER COMMENTS	REVISED PER COMMENTS	08/03/2018
15	REVISED PER COMMENTS	REVISED PER COMMENTS	08/03/2018
16	REVISED PER COMMENTS	REVISED PER COMMENTS	08/03/2018
17	REVISED PER COMMENTS	REVISED PER COMMENTS	08/03/2018
18	REVISED PER COMMENTS	REVISED PER COMMENTS	08/03/2018
19	REVISED PER COMMENTS	REVISED PER COMMENTS	08/03/2018
20	REVISED PER COMMENTS	REVISED PER COMMENTS	08/03/2018
21	REVISED PER COMMENTS	REVISED PER COMMENTS	08/03/2018

---

PROJECT NO.: 2171008  
 DATE: 08/03/2018  
 DRAWN BY: JLD  
 CHECKED BY: JLD  
 STAFF: JLD

S7