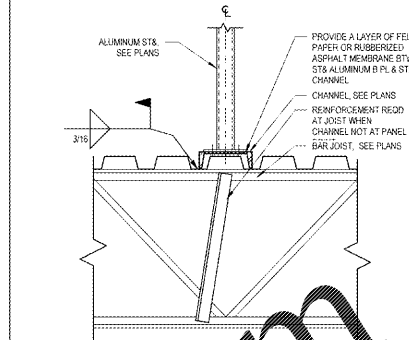
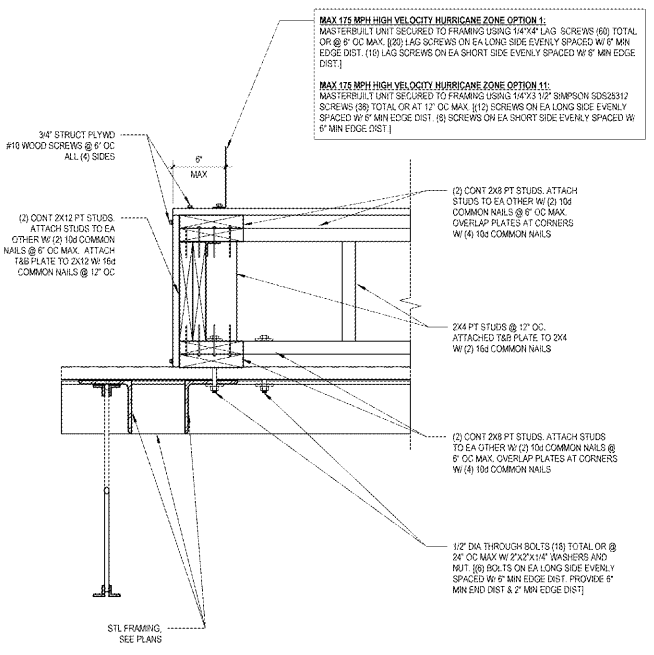


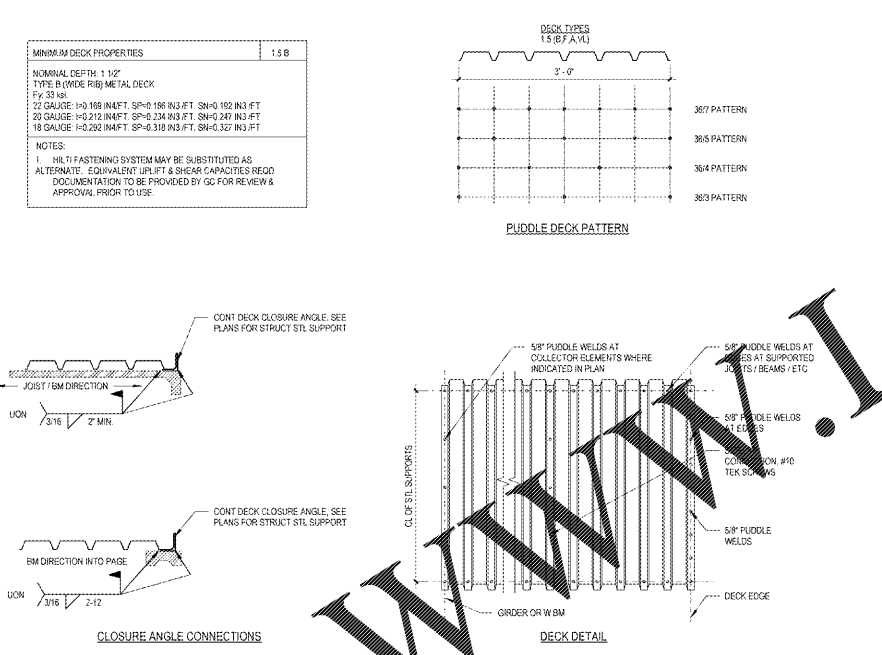
8 GENERAL BRIDGING & BRACING INFORMATION
34" x 1'-0"



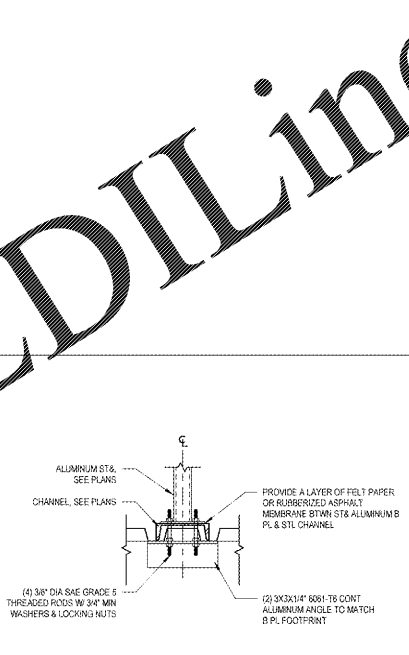
4 CHANNEL CONNECTION TO JOIST
36" x 1'-0"



7 MASTERBUILT SUPPORT - BOLTED
36" x 1'-0"



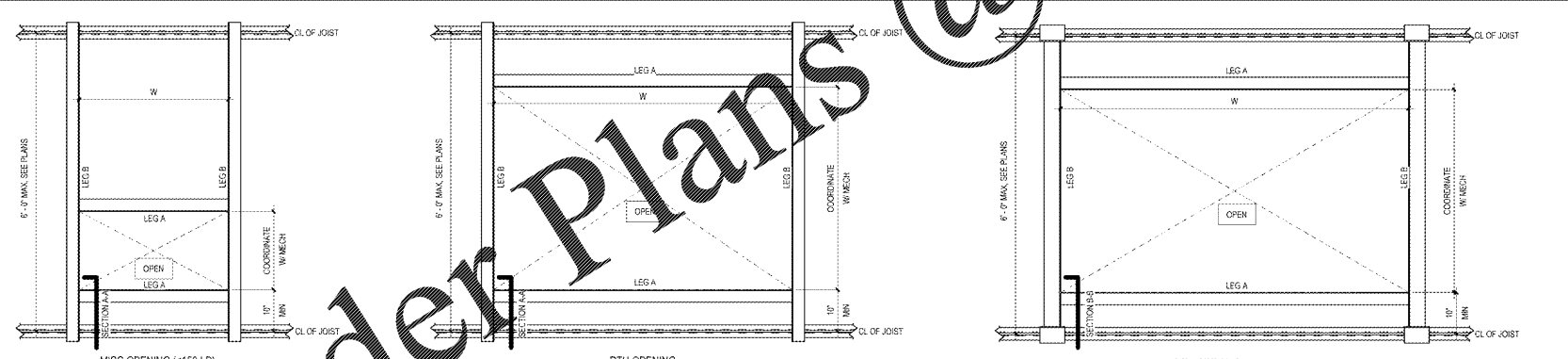
6 GENERAL MTL DECK & CLOSURE ANGLE INFORMATION
36" x 1'-0"



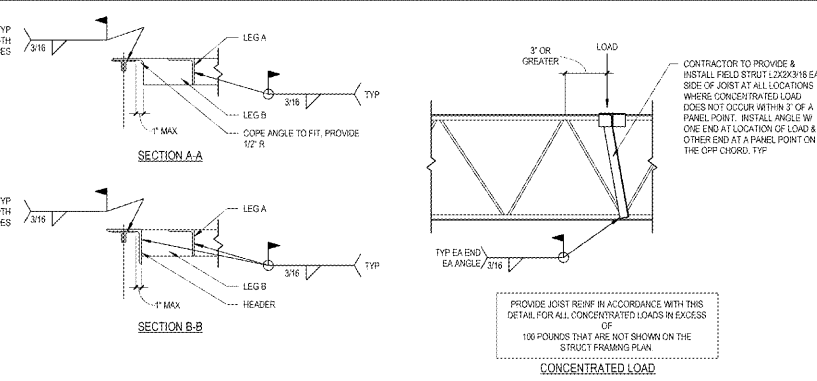
3 METAL DECK PENETRATIONS FOR OPENINGS TO 14" PERPENDICULAR TO DECK
36" x 1'-0"

5 STAND COL CONNECTION BTWN JOIST
36" x 1'-0"

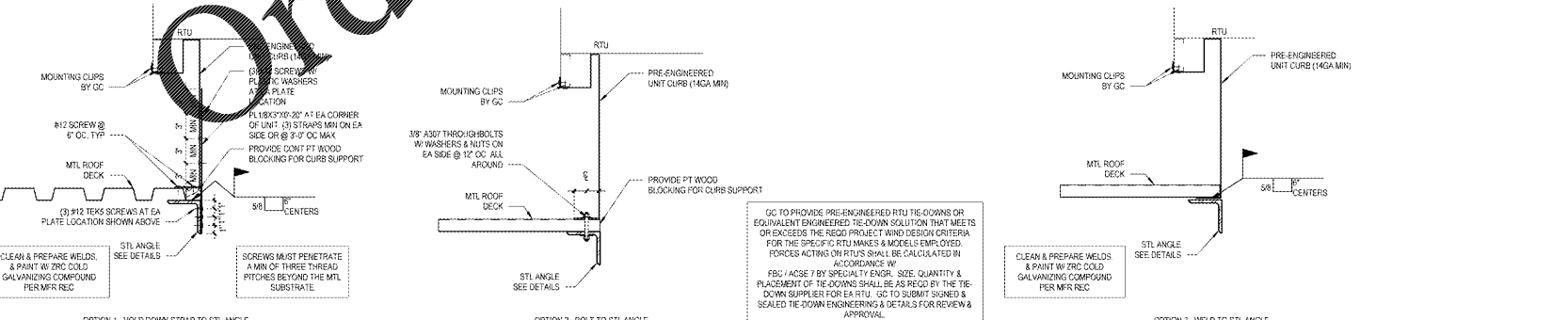
2 METAL DECK PENETRATIONS FOR OPENINGS TO 24" PERPENDICULAR TO DECK
36" x 1'-0"



1 GENERAL RTU INFORMATION
34" x 1'-0"



CONCENTRATED LOAD
36" x 1'-0"



MECHANICAL EQUIPMENT SCHEDULE				
TOTAL WEIGHT MAX.	MAX "W"	HEADER	LEG A	LEG B
UP TO 150 LBS	2'-0"	N/A. SEE SECTION A-A	L3CX3/16	L3CX3/16
500 LBS	6'-0"	N/A. SEE SECTION A-A	L3CX3/14	L3CX3/14
2000 LBS	6'-0"	L5WX3/9	L4X4X3/8	L4X4X3/8

NOTES:
1. INSTALL STRUCT CURBS, HEADERS & FRAMES & WELD TO SUPPORT STL BEFORE DECK IS PLACED.
2. DO NOT INSTALL STRUCT CURBS ON TOP OF DECK.
3. ADJUST LOCATION OF RTU SO CURB FALLS WITHIN 3" OF JOIST PANEL POINTS, WHERE POSSIBLE.
4. GC SHALL COORDINATE EQUIP DIMENSIONS & FRAMING LOCATIONS WITH THE STL FABRICATOR.
5. MECH & ERECTION SUBCONTRACTORS.
6. TOTAL WEIGHT = EQUIPMENT WEIGHT + WEIGHT OF EQUIP CURBS.
7. ALL EQUIP ON PRE-ENGINEERED CURBS.

No.	Description	Date	By	Check
1	ISSUED FOR PERMIT	08/03/2018
2	REVISED	08/03/2018
3	REVISED	08/03/2018
4	REVISED	08/03/2018
5	REVISED	08/03/2018