

CLIENT NAME  
**WAWA**  
260 WEST BALTIMORE PIKE  
WAWA, PENNSYLVANIA 19063

PROJECT NAME  
**WAWA F85FB 2019.01 STORE #5357-DOR**  
NW 87TH AVE. & NW 33RD ST.  
DORAL, FLORIDA

Revision Schedule	
No.	Description
1	PRELIMINARY SET
2	REVISED SET
3	REVISED SET
4	REVISED SET
5	REVISED SET
6	REVISED SET
7	REVISED SET
8	REVISED SET
9	REVISED SET
10	REVISED SET
11	REVISED SET

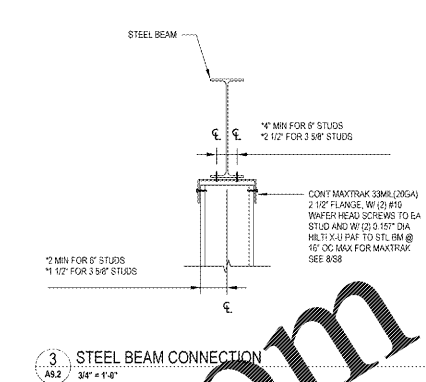
PROJECT NO.  
217108

DATE  
08/03/2018

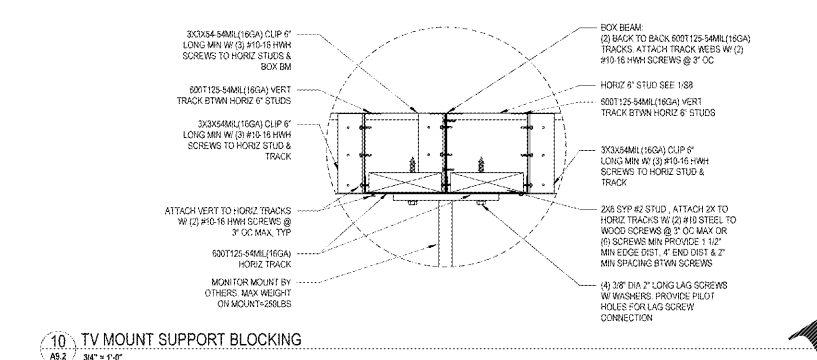
DRAWN  
AK

CHECKED  
DU

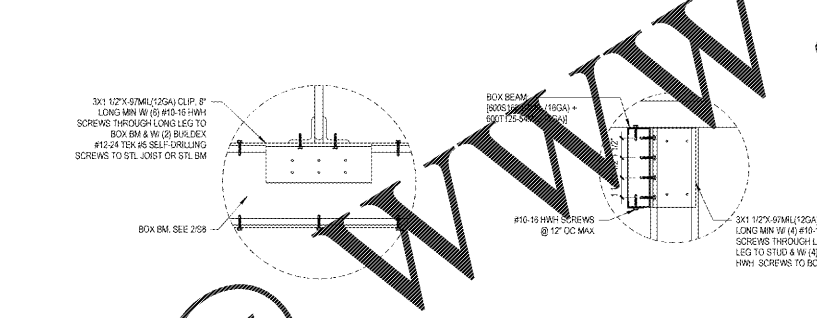
**A9.2**



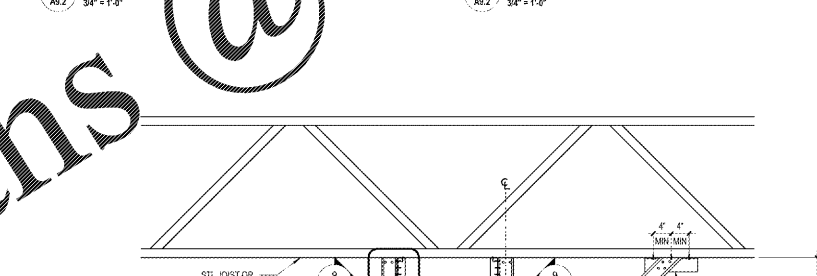
**3 STEEL BEAM CONNECTION**  
A9.2 3/4" x 1'-0"



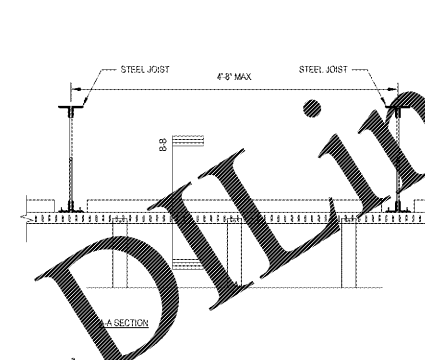
**10 TV MOUNT SUPPORT BLOCKING**  
A9.2 3/4" x 1'-0"



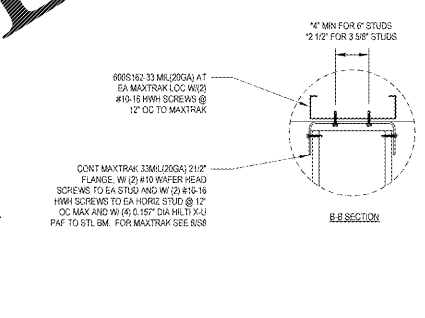
**9 BOX BM CONNECTION TO JOIST OR STL BM**  
A9.2 3/4" x 1'-0"



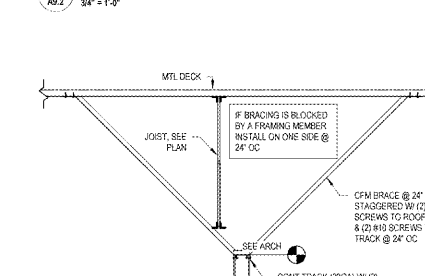
**8 VERT STUD CONNECTION TO BOX BM**  
A9.2 3/4" x 1'-0"



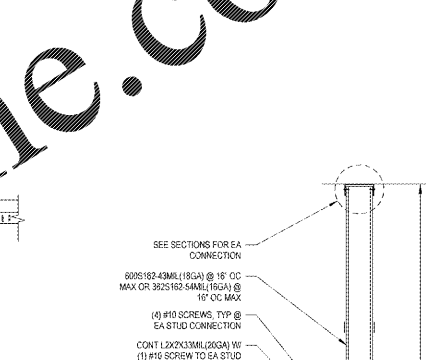
**6 INTERIOR WALL FRAMING**  
A9.2 3/4" x 1'-0"



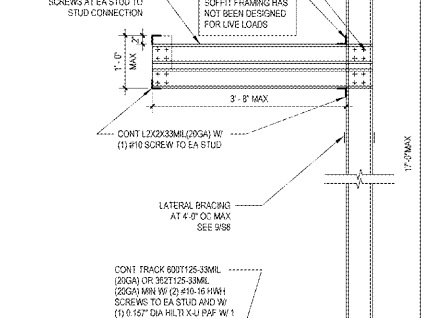
**5 WALL TOP CONNECTION TO METAL DECK**  
A9.2 3/4" x 1'-0"



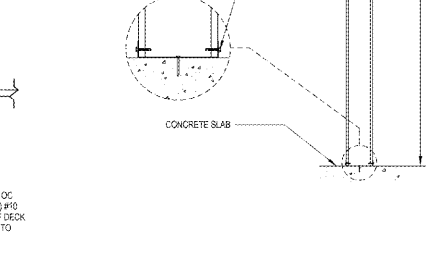
**4 WALL TOP CONN TO JOIST OR GT CONN**  
A9.2 1" x 1'-0"



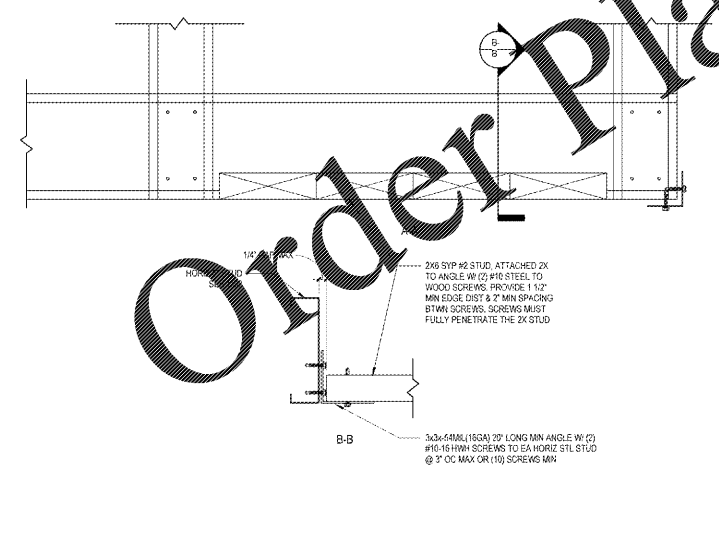
**2 TYP WALL FRAMING**  
A9.2 3/4" x 1'-0"



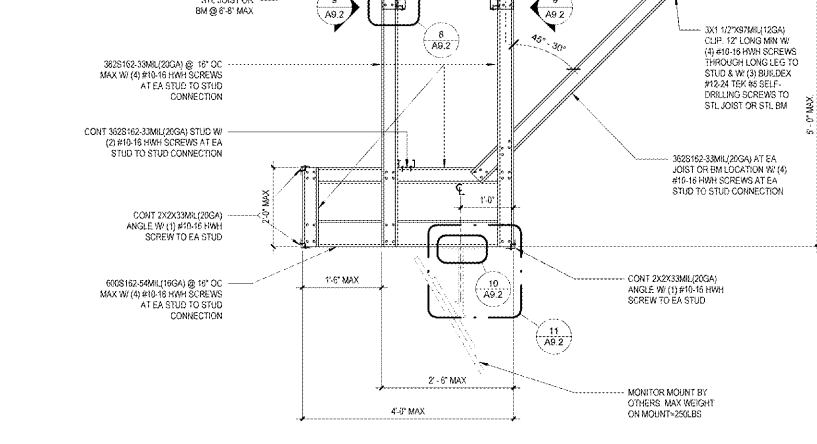
**7 MONITOR SUPPORT FRAMING DETAIL**  
A9.2 3/4" x 1'-0"



**1 BEVERAGE ISLAND SOFFIT**  
A9.2 3/4" x 1'-0"



**11 TV SHROUD AT FOOD SERVICE SOFFIT**  
A9.2 1" x 1'-0"



**7 MONITOR SUPPORT FRAMING DETAIL**  
A9.2 3/4" x 1'-0"

**Order Plans @ WWW.LDILine.com**