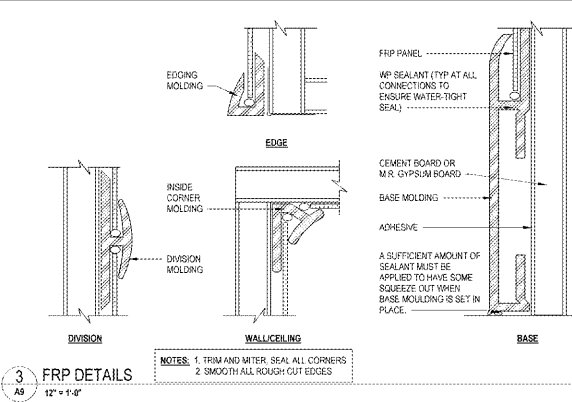
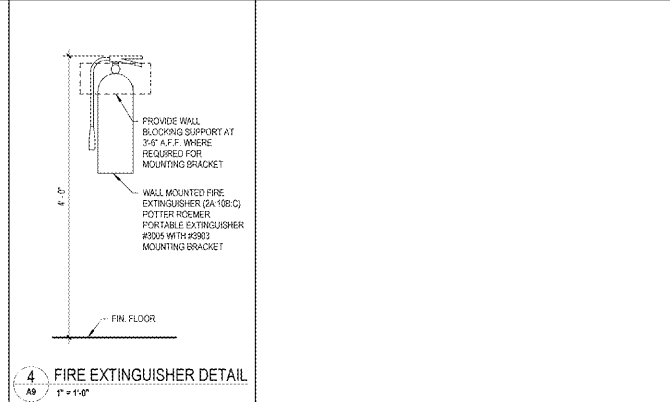


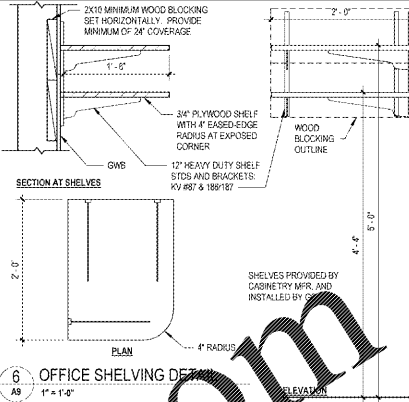
2 CHECKOUT FLOORING DETAIL  
A9 12" x 1'-0"



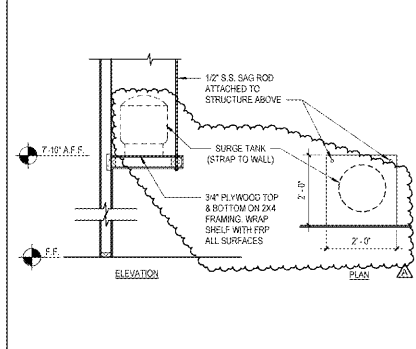
3 FRP DETAILS  
A9 12" x 1'-0"



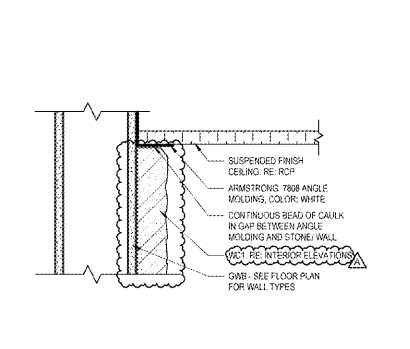
4 FIRE EXTINGUISHER DETAIL  
A9 1" x 1'-0"



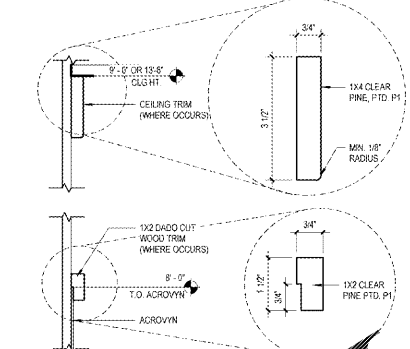
6 OFFICE SHELVING DETAIL  
A9 1" x 1'-0"



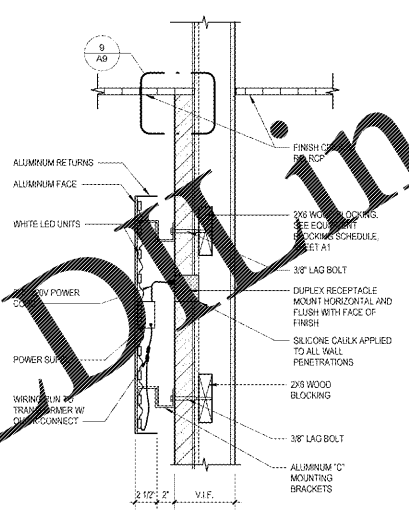
8 SURGE TANK SHELF DETAIL  
A9 12" x 1'-0"



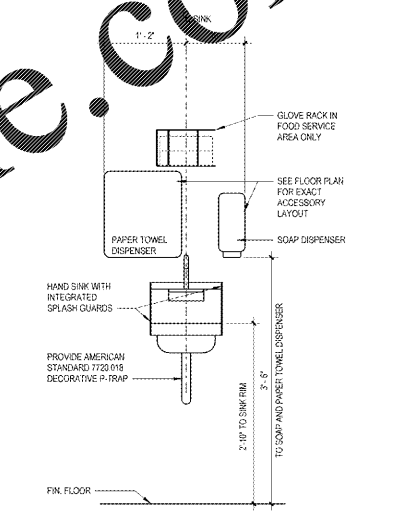
9 STONE VENEER DETAIL AT CEILING  
A9 3" x 1'-0"



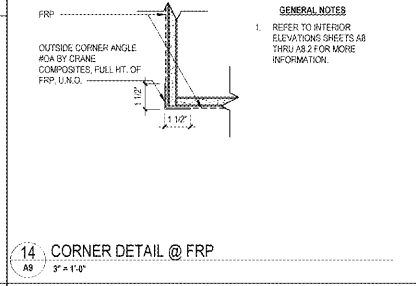
10 TRIM DETAILS  
A9 3" x 1'-0"



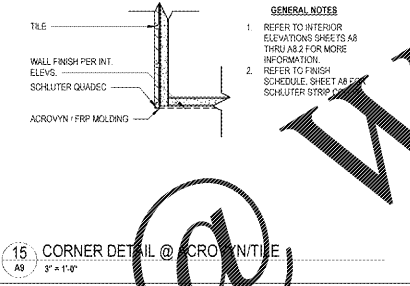
11 LOGO SIGN MOUNTING DETAIL  
A9 1'-0" x 1'-0"



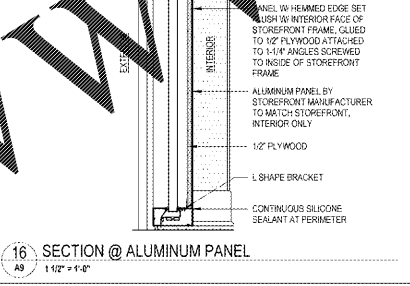
12 HANDWASH SINK DETAIL  
A9 1" x 1'-0"



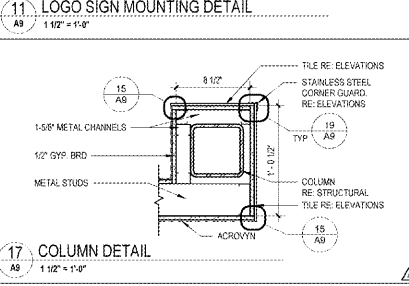
14 CORNER DETAIL @ FRP  
A9 3" x 1'-0"



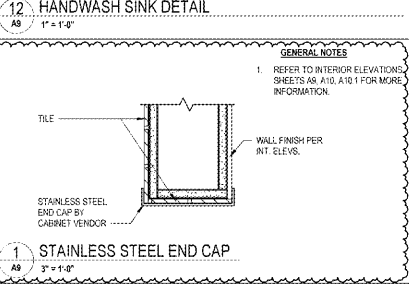
15 CORNER DETAIL @ CROWN TILE  
A9 3" x 1'-0"



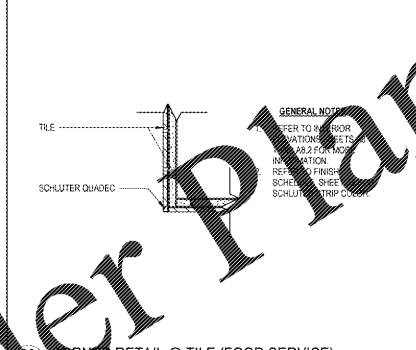
16 SECTION @ ALUMINUM PANEL  
A9 1'-0" x 1'-0"



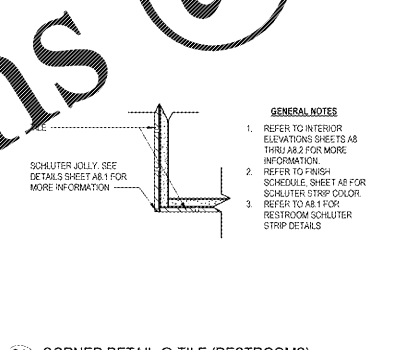
17 COLUMN DETAIL  
A9 1'-0" x 1'-0"



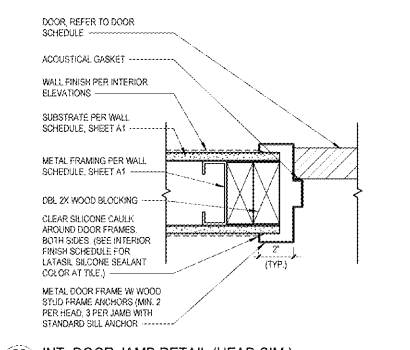
18 STAINLESS STEEL END CAP  
A9 3" x 1'-0"



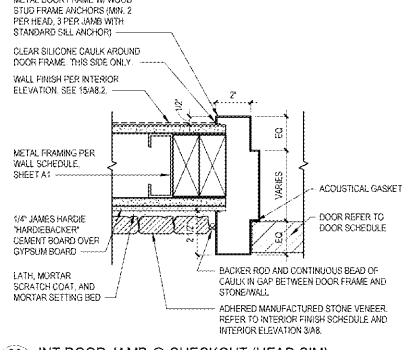
19 CORNER DETAIL @ TILE (S.S. CORNER)  
A9 3" x 1'-0"



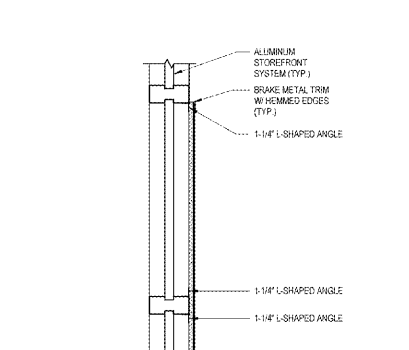
20 CORNER DETAIL @ TILE (FOOD SERVICE)  
A9 3" x 1'-0"



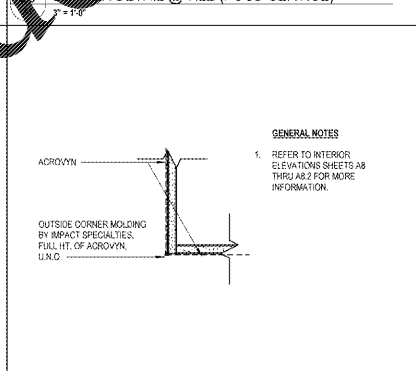
21 CORNER DETAIL @ TILE (RESTROOMS)  
A9 3" x 1'-0"



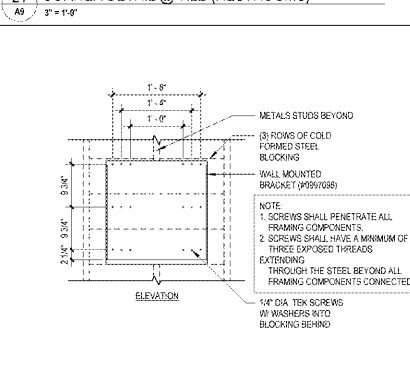
22 INT. DOOR JAMB DETAIL (HEAD SIM.)  
A9 3" x 1'-0"



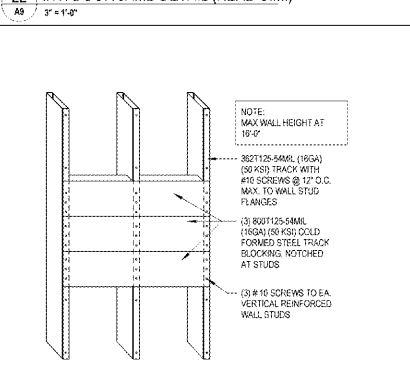
23 INT. DOOR JAMB @ CHECKOUT (HEAD SIM.)  
A9 3" x 1'-0"



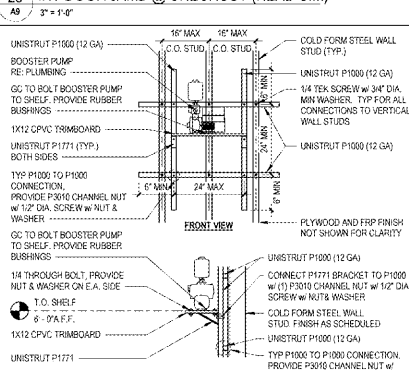
26 CORNER DETAIL @ ACROVYN  
A9 3" x 1'-0"



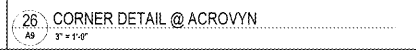
27 ICE MACHINE SHELF BLOCKING DETAIL  
A9 3'-0" x 1'-0"



29 BOOSTER PUMP SHELF DETAIL  
A9 1'-0" x 1'-0"



30 SECTION @ SPANDREL GLASS  
A9 1'-0" x 1'-0"



25 SECTION AT KNEE WALL  
A9 3'-0" x 1'-0"

1925 Prospect Ave.  
Orlando, FL 32814  
P (407) 661-9100  
F (407) 661-9101  
www.c-p.com



CLIENT NAME  
**WAWA**  
280 WEST BALTIMORE PIKE  
WAWA, PENNSYLVANIA 19063

PROJECT NAME  
**WAWA F85FB 2019.01 STORE #5357-DOR**  
NW 87TH AVE. & NW 33RD ST.  
DORAL, FLORIDA

SHEET TITLE  
**INTERIOR DETAILS**

No.	Description	Date
1	PRELIMINARY	08/17/2019
2	REVISED	08/17/2019
3	REVISED	08/17/2019
4	REVISED	08/17/2019
5	REVISED	08/17/2019
6	REVISED	08/17/2019
7	REVISED	08/17/2019
8	REVISED	08/17/2019
9	REVISED	08/17/2019
10	REVISED	08/17/2019
11	REVISED	08/17/2019
12	REVISED	08/17/2019
13	REVISED	08/17/2019
14	REVISED	08/17/2019
15	REVISED	08/17/2019
16	REVISED	08/17/2019
17	REVISED	08/17/2019
18	REVISED	08/17/2019
19	REVISED	08/17/2019
20	REVISED	08/17/2019
21	REVISED	08/17/2019
22	REVISED	08/17/2019
23	REVISED	08/17/2019
24	REVISED	08/17/2019
25	REVISED	08/17/2019
26	REVISED	08/17/2019
27	REVISED	08/17/2019
28	REVISED	08/17/2019
29	REVISED	08/17/2019
30	REVISED	08/17/2019

PROJECT NO. 217108  
DATE 08/03/2019  
DRAWN BY JAW  
CHECKED BY JAW

A9