



Designed by:	RES/MDS	YRD	MDS	MDS	1" = 20'	10/03/17	U1207	© 2018
Drawn by:								
Checked by:								
Approved by:								
Scale:								
Date:								
Job No.:								
Revision								
Date								
No.								

Plans Prepared By:  
**C.P.H., Inc.**  
1992 SW 1st Street  
Miami, FL 33135  
Ph: 305.274.4805  
Licenses:  
Eng. C. O. A. No. 3215  
Survey L.B. No. 7143  
Arch. Lic. No. AA20509205  
Landscape Lic. No. LC00052968

**IRRIGATION DETAILS**  
**WAWA**  
3300 NW 87TH AVENUE  
MIAMI, FLORIDA

Sheet No.  
**IR-2**

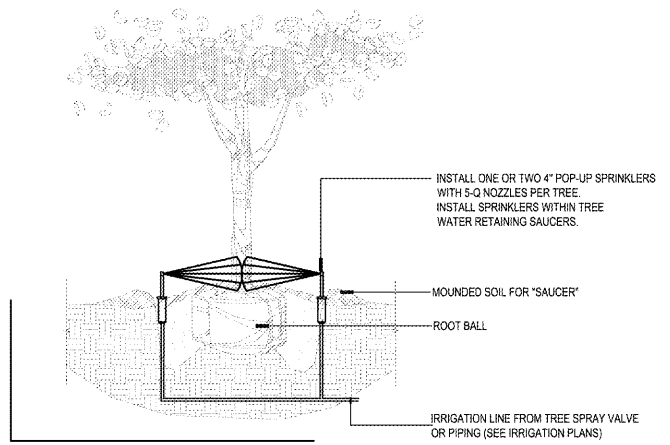
**NOTES**

INSTALL ALL PIPING SHOWN BETWEEN DIFFERENT PIPE SIZES AS THE LARGER SIZED PIPE.  
INSTALL ALL PIPING TO INDIVIDUAL HEADS AS 3/4".  
INSTALL PIPING BETWEEN THE LAST MARKED PIPE AND PIPING TO INDIVIDUAL HEADS (WHERE NO OTHER MARKINGS SHOW) AS 3/4".  
ANY IRRIGATION ITEMS NORMALLY INSTALLED IN LANDSCAPE AREAS THAT ARE SHOWN OUTSIDE OF LANDSCAPE AREAS OR OUTSIDE OF THE PROPERTY LINES ARE SHOWN AS SUCH FOR GRAPHIC CLARITY ONLY. INSTALL THESE ITEMS INSIDE OF PROPERTY LINES AND IN LANDSCAPE AREAS.  
THIS SYSTEM REQUIRES 25 GPM AT 50 PSI AT THE POINT OF CONNECTION. VERIFY GALLONAGE AND PRESSURE AND REPORT ANY DISCREPANCIES TO THE LANDSCAPE ARCHITECT BEFORE COMMENCING WITH THE INSTALLATION.  
PROVIDE PROOF TO THE LANDSCAPE ARCHITECT THAT ALL AVAILABLE MAINTENANCE MANUALS FOR EACH OF THE PRODUCTS INCLUDED IN THIS INSTALLATION HAVE BEEN PROVIDED TO THE OWNER OR OWNER'S REPRESENTATIVE.

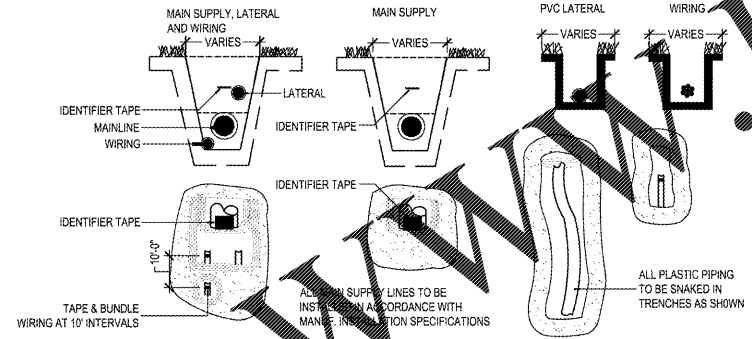
ADJUST THE IRRIGATION SYSTEM COMPONENTS AND EXISTING SYSTEM TO PROVIDE UNIFORM COVERAGE. ASSURE THAT THE SYSTEM PROVIDES 100% COVERAGE OF ALL LANDSCAPE MATERIALS INCLUDING SHRUBS, GROUND COVER, TREES AND NON-BAHIA TURF.  
ADJUST THE VERTICAL ORIENTATION OF SPRINKLERS ON SLOPES TO PROVIDE UNIFORM COVERAGE OF THE SLOPED AREA.  
IRRIGATION HEADS SHALL BE LOCATED MINIMUM ONE (1) FOOT FROM ANY WALL, COLUMN, OR BUILDING EDGE/FACE.  
IRRIGATION HEADS SHALL BE DIRECTED AWAY FROM BUILDING AT ALL TIMES, SO THAT SPRAY DOES NOT HIT BUILDING FACE, COLUMN, WALL, ETC.  
ANY EXISTING TREE ROOTS, WHEN ENCOUNTERED DURING INSTALLATION OF UTILITIES, SHALL BE CUT OFF EVENLY WITH CLEAN SHARP PRUNING TOOLS AND COVERED WITH SOIL AS SOON AS POSSIBLE TO REDUCE DEHYDRATION. THE CONTRACTOR/DEVELOPER SHALL MINIMIZE THE DAMAGE TO EXISTING TREE ROOT SYSTEMS.  
PROVIDE HAND WATERING FOR ESTABLISHMENT PERIOD FOR ALL TREES NOT LOCATED IN IRRIGATED AREAS OR THAT DO NOT HAVE BUBBLERS INSTALLED AT THOSE TREES.  
CONSULT WITH THE OWNER AS TO LOCATIONS OF THIS SYSTEM'S INSTALLATION AS RELATED TO THE FUTURE PHASE OF THIS PROJECT TO MINIMIZE IMPACT ON THIS SYSTEM DURING THE FUTURE PHASES OF CONSTRUCTION.

INSTALL THE SYSTEM IN ACCORDANCE WITH THE LOCAL IRRIGATION STANDARDS AND IRRIGATION REQUIREMENTS  
INSTALL MARLEX STREET ELLS FOR ALL HEADS ON RISERS AND ALL SPRINKLERS IN TURF.  
INSTALL ALL OTHER SPRINKLERS WITH FUNNY PIPE AND SBE-050 FITTING.  
CONNECT TO THE STUBOUT FROM THE POTABLE BACKFLOW PREVENTER FOR THE WATER SOURCE FOR THIS SYSTEM.  
ASSURE THAT PROPER BACKFLOW PREVENTION IS INSTALLED FOR THIS SYSTEM.  
ALL IRRIGATION HEADS IN SHRUBS/GROUND COVER AREAS SHALL BE INSTALLED ON RISERS, EXCEPT FOR SPRINKLERS IN GROUND COVER AREAS AND THE 4" SPRINKLERS ADJACENT TO THE HEDGES AS SHOWN - SEE DETAILS.  
INSTALL DRIP ITEMS IN ACCORDANCE WITH MANUFACTURERS' RECOMMENDATIONS

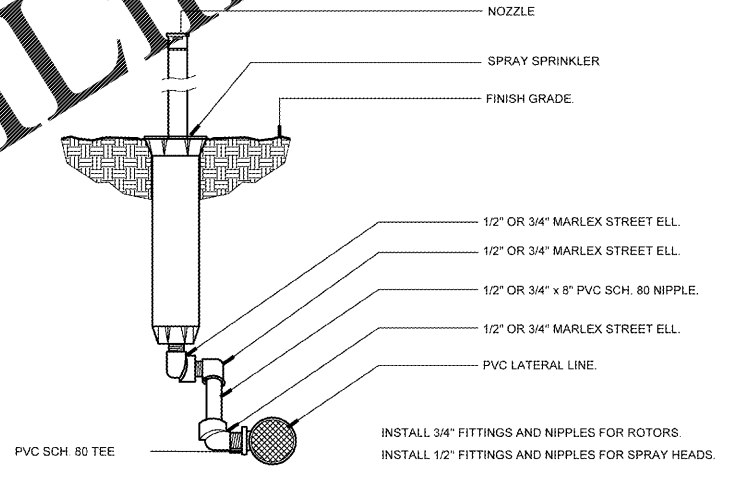
**1 GENERAL IRRIGATION NOTES**  
NOT TO SCALE



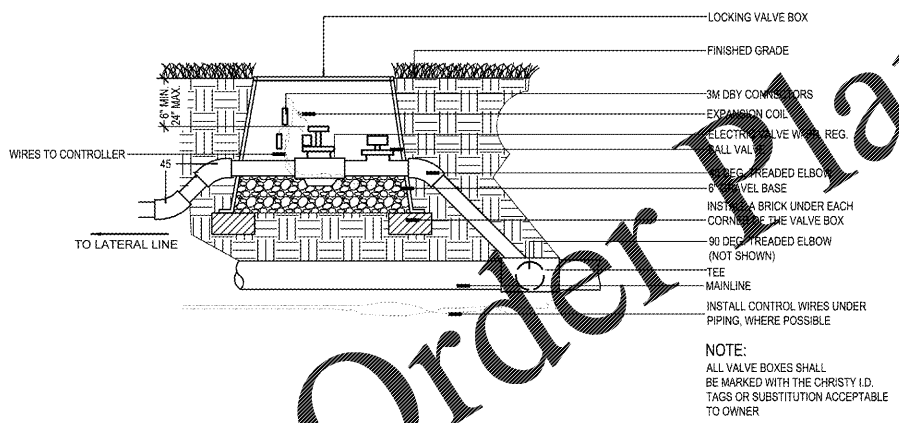
**2 TREE SPRAY LOCATIONS**  
NOT TO SCALE



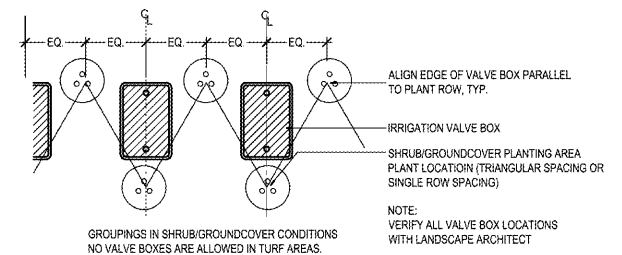
**3 TRENCH CONSTRUCTION**  
NOT TO SCALE



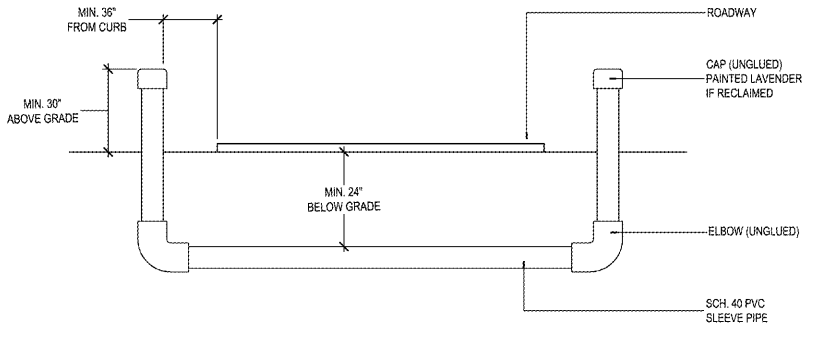
**4 4" OR 6" POP-UP AT GRADE**  
NOT TO SCALE



**5 VALVE ASSEMBLY INSTALLATION**  
NOT TO SCALE



**6 VALVE BOX ORIENTATION**  
NOT TO SCALE



**7 SLEEVE INSTALLATION**  
NOT TO SCALE

JUL1207LandscapeCADD(Plan)1207-IRR.dwg May 08, 2019 - 1:53pm jrgroot

Always call 811 two full business days before you dig

**Sunshine811.com**

www.sunshine811.com

THIS SHEET NOT VALID FOR CONSTRUCTION UNLESS STAMPED APPROVED