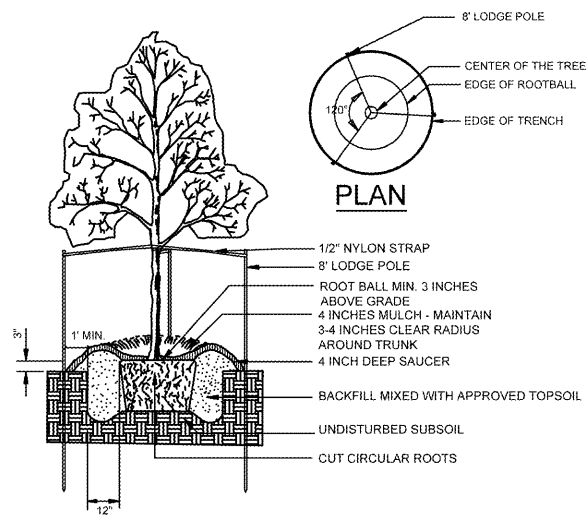
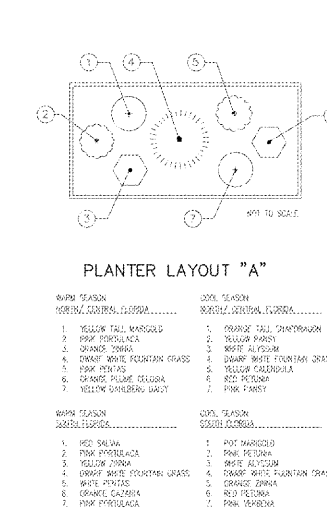


**LANDSCAPE NOTES:**

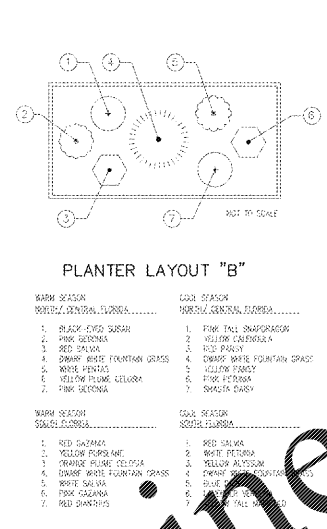
- The Landscape Contractor shall be responsible for all materials and all work as called for on the Landscape Plans and in the Landscape Specifications. In the event of variation between quantities shown on plant list and the plans, the plans shall control. The Landscape Contractor shall verify all quantities and report any discrepancies at the time of bidding.
- The Landscape Contractor shall review architectural/engineering plans and become thoroughly familiar with surface and subsurface utilities.
- Prior to construction, the contractor shall be responsible for locating all underground utilities and shall avoid damage to all utilities during the course of the work. Locations of existing buried utility lines shown on the plans are based upon best available information and are considered to be approximate. It shall be the responsibility of the contractor (1) to verify the locations of utility lines within and adjacent to the work area (2) to protect all utility lines during the construction period (3) to repair any and all damage to utilities, structures, site furnishings, etc. which occurs as a result of the construction (4) To field adjust the location of proposed trees and palms 10' off the center of the utility lines. Notify the Landscape Architect if a 10' offset does not function.
- The work shall be coordinated with other trades to prevent conflicts. Coordinate the planting with the irrigation work to assure availability and proper location of irrigation items and plants.
- Contractor shall ensure that there are no visual obstructions to vehicle lines of sight and traffic controls. Contractor shall field adjust tree and/or shrub locations to avoid any such obstructions.
- Trees shall be maintained by the owner to avoid future such obstructions by pruning trees and/or shrubs as necessary utilizing horticulturally sound techniques.
- All planting shall be performed by personnel familiar with planting procedure and under the supervision of a qualified planting foreman.
- All plant material shall be graded Florida No. 1 or better as outlined under Grades and Standards for Nursery Stock, Part I and II, published by the Florida Department of Agriculture and Consumer Services.
- The minimum acceptable size of all plants, measured after pruning, with branches in normal positions, shall conform to the measurements indicated on the plant list or as indicated on the landscape drawings. Height and spread dimensions refer to trees up to and including 4 inches in caliper, and 12 inches from the ground for larger trees. Since trunks are seldom round, the average of the largest diameter and that perpendicular to it is referred to as caliper.
- The Landscape Architect or Owner shall have the right, at any stage of the operations, to reject any and all work and materials which, in his opinion, do not meet with the requirements of these specifications.
- Except as otherwise specified, the Landscape Contractor's work shall conform to accepted horticultural practices as used in the trade.
- Plants shall be protected upon arrival at the site, by being thoroughly watered and properly maintained until planted.
- TOPSOIL**  
Topsoil shall be natural, friable, fertile, fine loamy soil possessing characteristics of representative topsoil in the vicinity that produces heavy growth. Topsoil shall have a pH range of 5.5 to 7.4, free from sulfur, objectionable weeds, litter, stumps, soft clay, stones larger than 1-inch in diameter, stumps, roots, trash, toxic substances or any other material which may be harmful to plant growth or hinder planting operations. Top soil shall contain a minimum of three percent organic material. 6" Top Soil shall be placed in all turf & landscape areas.
- All tree pits shall be excavated to size and depth in accordance with the Florida Grades & Standards for Nursery Stock, unless shown otherwise on the drawings, and backfilled with the specified planting soil. The Landscape Contractor shall test fill all tree pits with water before planting to assure proper drainage percolation is available.
- The Landscape Contractor shall be responsible for proper watering of all plants. All plants shall be thoroughly watered at time of planting and kept adequately watered for plants to thrive as defined by Florida Grades and Standards for Nursery stock until time of acceptance. It shall be the Landscape Contractor's responsibility to assure that plants are not over watered.
- It shall be the Landscape Contractor's responsibility to prevent plants from falling or being blown over, to re-straighten and replant all plants which lean or fall and to replace all plants which are damaged due to lack of proper guying or staking. The Landscape Contractor shall be legally liable for any damage caused by instability of any plant material.
- All Palms to be staked as indicated per Palm staking details. All other trees to be stabilized utilizing 8" lodge poles per tree planting details.
- Plants blown over by high winds, within the guaranteed period, shall not be cause for additional expense to the Owner, but shall be the responsibility of the Landscape Contractor. Damaged plants shall be replaced by the Landscape Contractor at no additional cost to the Owner.
- Sod shall be of a species specified on the drawings and originate from a commercial turf grower. It shall be a dense stand of live turf, reasonably free of weeds, well matted with grass roots in rectangles 12 inch by 24 inch or 12 inch wide rolls in a length consistent with the equipment and methods used to handle the rolls and place the sod. Any netting contained within the sod shall be certified by the manufacturer to be bio-degradable. The soil and root mat shall be a minimum of 1-1/2" inch thick and must hold together during placement. Sod shall be placed adjacent to one another to avoid gaps and overlapping. Joints shall be staggered between the rows. Sod placed on slopes exceeding 3:1 shall be pinned with turf staples. Sod turf shall have been mowed a minimum of one week prior to cutting and delivery, so that the length of the turf is no longer than 4 inches at time of delivery. Place sod within 48 hours of cutting the sod. The sod shall be kept moist throughout the 48 hour period to maintain the health and viability of the sod. Submit a letter of certification to the Owner's CEI Representative, at the source of the sod, the time it was cut, the species and cultivars provided, last mowing date, and that the sod is free of fire ants. Sod which has been cut for longer than 48 hours after being cut shall not be used unless specifically authorized by Owner's CEI Representative.
- It shall be the Contractor's responsibility to measure and determine the exact quantity of sod required for a complete job at the time of bidding or providing a price quote. The Owner shall not be responsible for additional cost due to the Contractor's under estimating of the quantity of sod for the original bid area.
- The Landscape Contractor shall insure adequate vertical drainage in all plant beds, planters, and sod areas. Vertical draining through any compacted fill to native soil shall be accomplished to insure drainage. If well drained fill is necessary to assure proper drainage, this issue shall be brought up by the Landscape Contractor at time of bidding.
- UNSATURABLE SUBSOILS**  
Locations containing unsuitable soil shall be treated by one or more of the following:  
  - Where unsuitability is deemed by Owner or Owner's Representative to be due to excessive compaction caused by heavy equipment and where natural subsoil is in sub grade and where natural subsoil is other than AASHTO classification of A6 or A7, loosen such areas with spikes, tamping, or other means to loosen soil to condition acceptable to Owner. Loosen soil to minimum depth of 12 inches with additional loosening as required to obtain adequate drainage. Contractor may introduce peat, moss, sand, or organic matter into the subsoil to obtain adequate measures shall be considered as incidental, without additional cost to Owner.
  - Where unsuitability is deemed by Owner or Owner's Representative to be due to presence of boards, mortar, concrete, graded aggregate base, or other construction materials in sub grade and where natural subsoil is other than AASHTO classification of A6 or A7, remove debris and objectionable material. Such removal measures shall be considered as incidental, without additional cost to Owner.
  - Where unsuitability is deemed by Owner to be because natural subsoil falls into AASHTO classification of A6 or A7 and contains moisture in excess of 30 percent, then installation of sub drainage system or other means described elsewhere in Specifications shall be used. Where such conditions have not been known or revealed prior to planting time and they have not been recognized in preparation of The Drawings and Specifications, then Owner shall issue pricing order to install proper remedial measures.
  - Planting beds where existing subsoil is determined by Owner to be unsuitable for plant growth in accordance paragraph Unsuitable Subsoil herein shall be excavated to a depth of 12 inches or as needed to provide adequate drainage. Replace excavated soil with planting soil.
- The Landscape Contractor shall insure that his work does not interrupt established or projected drainage patterns.
- The Landscape Contractor shall prune, shape and remove dead foliage/limbs from existing plant material to remain. Confirm with the Landscape Architect or Owner the extent of work required at time of Bidding.
- Mulch - All plant beds shall be top dressed with 4" shredded hardwood mulch (or approved equal). Cypress mulch not permitted.
- Transplanted Material - The Landscape Contractor shall be responsible for determining and evaluating all plants and shrubs suitable for transplanting and shall verify this with the Landscape Architect or Owner. The Landscape Contractor shall take all reasonable, horticulturally acceptable measures to assure the successful transplanting of determined plant materials. The Landscape Contractor shall be responsible for replacing any relocated plant materials which die or are lost at any time, as determined by the Landscape Architect or Owner. Replacement plants shall be of identical species and size if required.
- MAINTENANCE PRIOR TO FINAL INSPECTION AND ACCEPTANCE:**  
Maintenance shall commence after each plant is planted and the maintenance shall continue until the specific phase of the job is accepted by the Landscape Architect or Owner. The Contractor shall be responsible for the maintenance of his representatives in general maintenance procedures.  
Plant maintenance shall include watering, pruning, feeding, cultivating, weeding, topdressing, and repairing of guys, replacement of sick or dead plants, resetting of plants to proper grade, upright positions, and other maintenance of the planting saucer and all other care needed for proper growth of the plants.  
During the maintenance period and up to the date of final acceptance, the Landscape Contractor shall do all seasonal spraying and/or dusting of trees and shrubs. Upon completion of the maintenance period, an inspection for acceptance of work will be held. The Landscape Contractor shall notify the Landscape Architect of the date of the inspection 10 days prior to the anticipated date.  
At the time of the inspection, if all of the materials are acceptable, a written notice will be given by the Landscape Architect or Owner to the Landscape Contractor Stating the date when the Maintenance Period ends.
- GUARANTEE AND REPLACEMENT:**  
All plant materials shall be guaranteed for one (1) year from the time of final inspection and interim acceptance shall be alive and in satisfactory growth for each specific kind of plant at the end of the guarantee period.  
At the end of the guarantee period, any plant required under this contract that is dead or not in satisfactory growth, as determined by the Owner or the Landscape Architect, shall be removed and replaced. Replacement plants shall have an extended guarantee, as noted above, from time of replacement.  
All replacements shall be planted of the same kind and size as specified on the plant list. They shall be the responsibility of the Landscape Contractor.



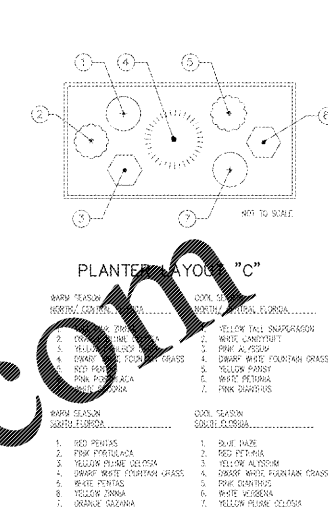
**CONTAINER TREE PLANTING DETAIL**  
N.T.S.



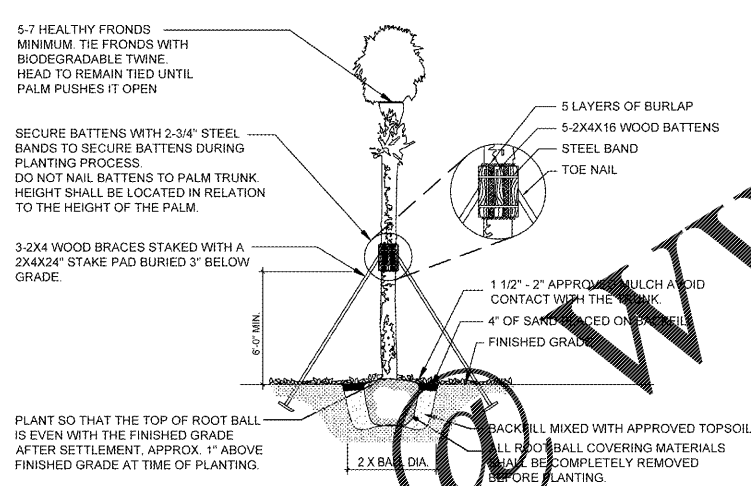
**PLANTER LAYOUT "A"**  
N.T.S.



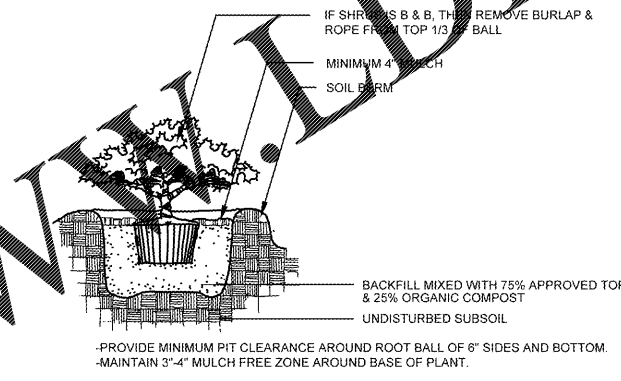
**PLANTER LAYOUT "B"**  
N.T.S.



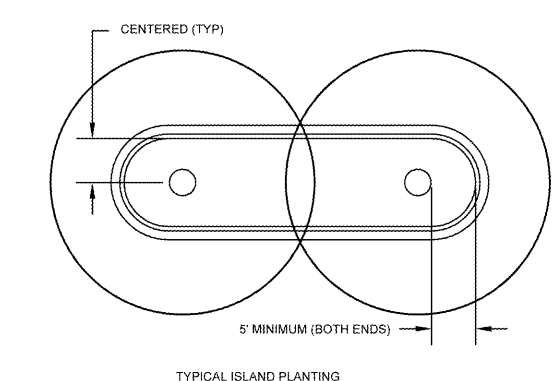
**PLANTER LAYOUT "C"**  
N.T.S.



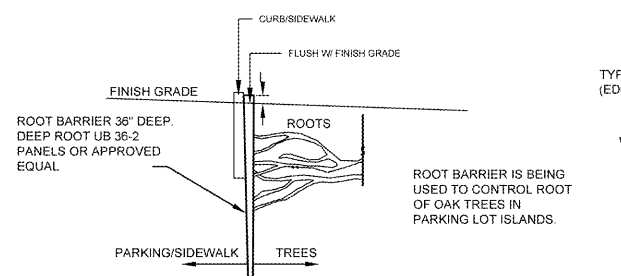
**PALM STAKING DETAIL**  
N.T.S.



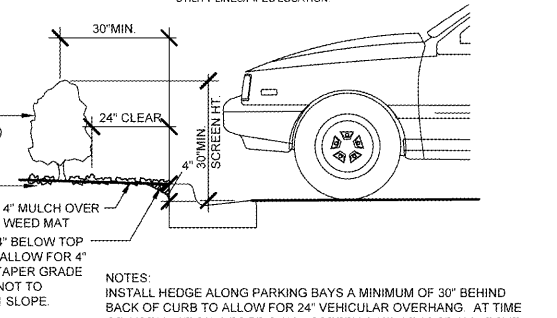
**SHRUB PLANTING DETAIL**  
N.T.S.



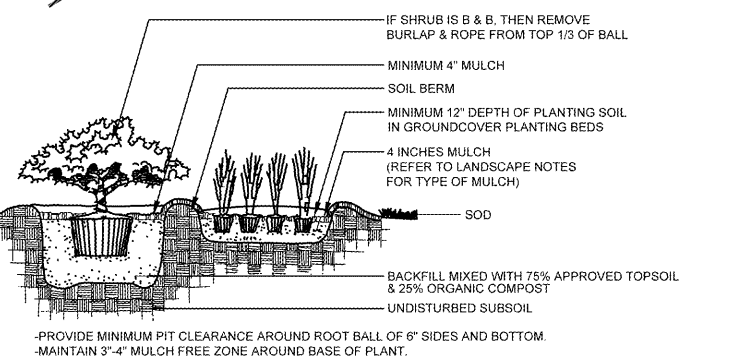
**TYPICAL ISLAND PLANTING**  
ALL TREES PLANTED IN LANDSCAPE ISLANDS OR ANY LANDSCAPED AREAS SHOULD BE A MINIMUM OF 5' OFF OF BACK OF CURB UNLESS ABSOLUTELY NECESSARY DUE TO UTILITY LINES/PIPES LOCATION.



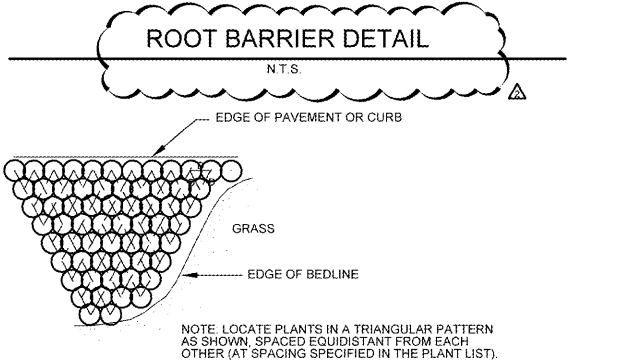
**ROOT BARRIER DETAIL**  
N.T.S.



**TYPICAL SECTION - HEDGE INSTALLATION**  
N.T.S.



**SHRUB AND GROUNDCOVER PLANTING DETAIL**  
N.T.S.



**SHRUB/GROUNDCOVER SPACING PLAN**  
N.T.S.

**gph**  
www.cphcorp.com  
**A Full Service A & E Firm**  
Architects  
Engineers  
Environmental  
Landscape Architects  
M / E / P  
Planners  
Surveyors  
Traffic / Transportation  
Offices in:  
• Florida  
• Puerto Rico  
• Connecticut  
• Maryland  
• Texas

DESIGNED BY: RES/MDS	DRAWN BY: YRD	CHECKED BY: MDS	APPROVED BY: MDS	SCALE: 1" = 20'	DATE: 10/03/17	JOB NO.: U1207	© 2018
PER CITY COMMENTS - 06/01/18	PER CITY COMMENTS - 03/23/18	Revision	Date	No.			
Plans Prepared by: <b>CPH, Inc.</b> 1992 SW 1st Street Miami, FL 33135 Ph: 305 274 4805 Licenses: Eng. C.O.A. No. 3215 Survey L.B. No. 7143 Arch. Lic. No. AA260926 Landscape Lic. No. LC2000208							

**LANDSCAPE NOTES & DETAILS**  
**WAWA**  
3300 NW 87TH AVENUE  
MIAMI, FLORIDA  
Sheet No. **L-2**

Always call 811 two full business days before you dig  
**Sunshine811.com**  
www.sunshine811.com

THIS SHEET NOT VALID FOR CONSTRUCTION UNLESS STAMPED APPROVED

J:\2017\Landscapes\DWG\PrimataryDesign\Plan\U1207-LSP.dwg May 08, 2019 - 1:53pm jrgmtr