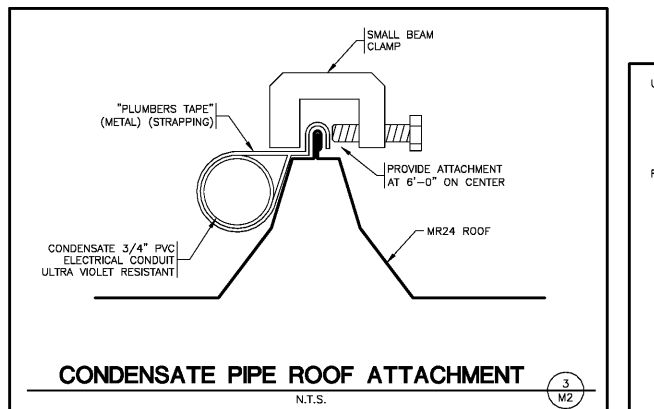
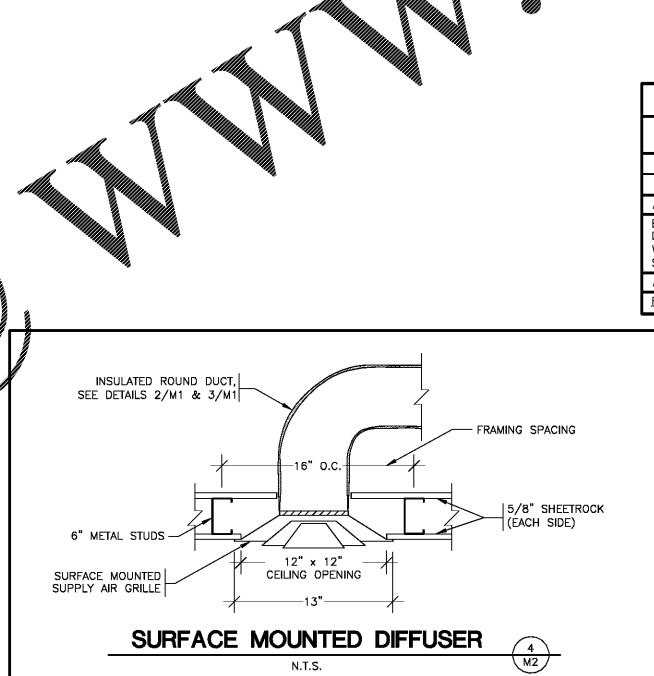
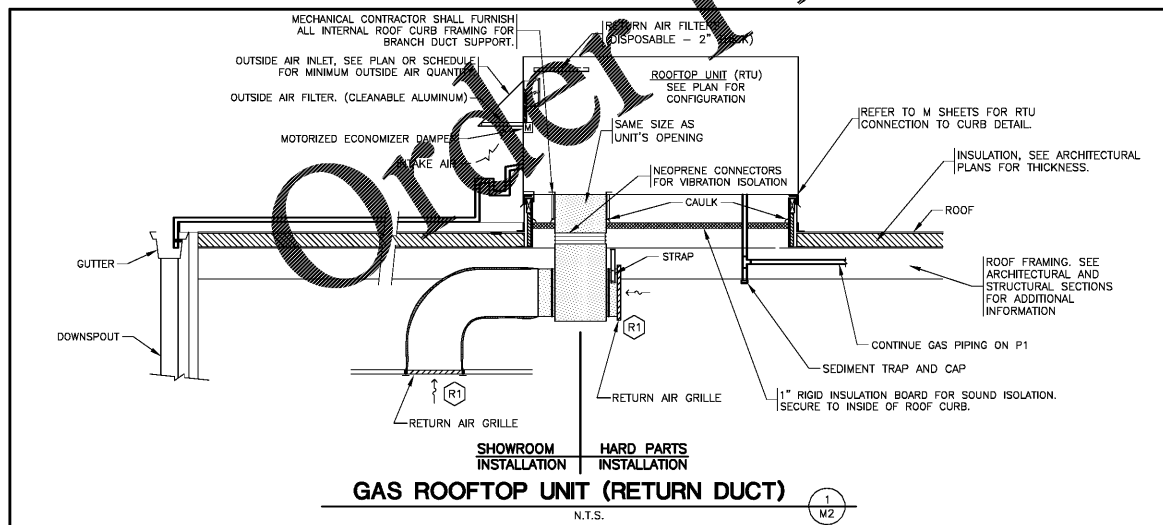
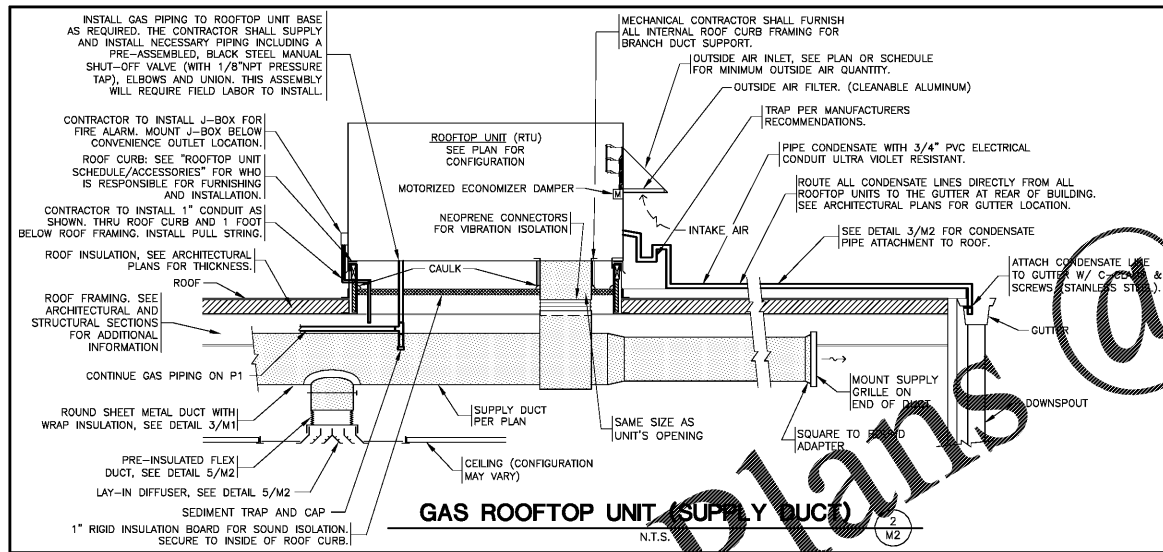


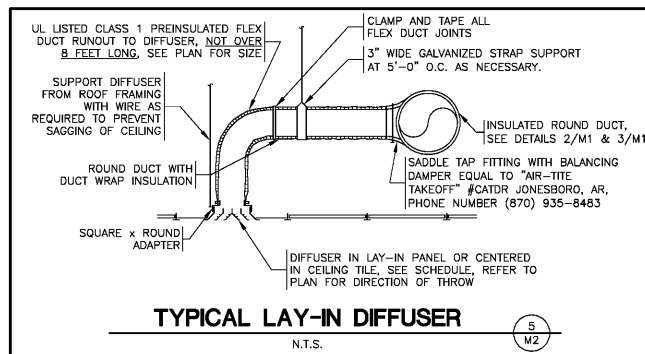
ENERGY CODE SPECIAL																							
NATIONAL ACCOUNT ROOFTOP UNIT SCHEDULE - 7.5 TON - GAS (3-PHASE) - BY O'REILLY																							
RTU - RESPONSIBILITIES										CALL THE CARRIER CUSTOMER SERVICE REP. BELOW FOR CONFIRMATION OF ORDERS. DO NOT CALL CARRIER FOR QUOTES!													
1.) ALL CARRIER HVAC UNITS ARE OWNER SUPPLIED BY O'REILLY AUTOMOTIVE. 2.) MECHANICAL CONTRACTOR IS RESPONSIBLE FOR THE INSTALLATION OF ALL CARRIER HVAC UNITS. 3.) MECHANICAL CONTRACTOR IS RESPONSIBLE FOR THE FIRST YEAR LABOR WARRANTY ON ALL OWNER SUPPLIED EQUIPMENT. 4.) MECHANICAL CONTRACTORS WORKING ON O'REILLY PROJECTS MUST CALL "CARRIER CORPORATION'S NATIONAL ACCOUNTS" DEPARTMENT FOR CONFIRMATION OF ORDERS ONLY! 5.) MECHANICAL CONTRACTOR IS RESPONSIBLE FOR SCHEDULING, SHIPPING & RECEIVING OF ALL CARRIER UNITS FROM CARRIER NATIONAL ACCOUNTS. CONTACT CUSTOMER SERVICE REP. LISTED TO THE RIGHT.										CARRIER CORPORATION, STRATEGIC ACCOUNTS CARRIER PARKWAY SYRACUSE, NEW YORK 13221 CUSTOMER SERVICE REPS: MARIA CAMPANELLO 315-432-3946 maria.campanello@carrier.utc.com StrategicAccounts2@carrier.utc.com ACCOUNT MANAGER: PAUL WITZ CELL 315-317-2481 paul.witz@carrier.utc.com													
MARK	DESCRIPTION	MFR.	CATALOG NUMBER	HTG. MBH STAGE 1 IN/OUT	HTG. MBH STAGE 2 IN/OUT	TTL. HTG. IN/OUT	THERM. EFF.	CLG. MBH STAGE 1 TOT./SENS.	CLG. MBH STAGE 2 TOT./SENS.	TTL. COOL. TOT./SENS.	IEER	EER	CFM	O.A.	ESP	HP	MCA	MOCP	WT. (lbs.)	ACCESSORIES	REMARKS	REF. DTL.	
RTU-1 RTU-2	WEATHERMASTER PACKAGED ROOFTOP UNIT 7.5-TON	CARRIER	48HCRD08K2M5-6U1K0	120/98	60/50	180/148	82%	46.5/36	46.5/36	93/72	13.8	12.00	3000	△	0.6	1.50	208V/230V/3φ	41	50*	1172	SEE BELOW	△△△	1/2 2/M2
ACCESSORIES - FACTORY SUPPLIED AND INSTALLED										ACCESSORIES - FACTORY SUPPLIED & FIELD INSTALLED													
HE - STAINLESS STEEL GAS HEAT EXCHANGER, (MEDIUM HEAT) (15 YR. WARRANTY). SD - RETURN AIR SMOKE DETECTOR. MB - MEDIUM STATIC BLOWER, (2 SPEED). HG - LOUVERED HAIL GUARDS. UPD - UN-POWERED CONVENIENCE OUTLET (FIELD POWERED), 15AMP, 120V, GROUND FAULT CIRCUIT INTERRUPTER (GFCI) TYPE. TBEG - THRU-THE-BOTTOM-ELECTRIC & GAS SERVICES, (SEE ROOF TOP UNIT DETAILS) SS - HI & LOW REFRIGERANT SAFETY SWITCHES, (STANDARD ON EVERY UNIT) AF - 2" RETURN AIR FILTERS, (STANDARD ON EVERY UNIT) VD - 2" SPEED FAN CONTROLLER, (VFD) EC - LOW LEAK DRY BULB ECONOMIZER X, W/BAROMETRIC RELIEF & 7220 HONEYWELL CONTROL. THIS ECONOMIZER & CONTROLLER IS LISTED BY THE ENERGY CODE AND IS EQUIPPED WITH FAULT DETECTION AND DIAGNOSTICS (FDD) FDD - FLUE DISCHARGE DEFLECTORS										CO2 - CO2 SENSOR, WALL MOUNT, #33ZCSPTC02LCO-01 CO2/SPACE TEMPERATURE SENSOR WITH LCD DISPLAY & NO OVERRIDE. RTRS - REMOTE TEST/RESET STATION, CARRIER #SD-TRM4(CRSDEST001400) FOR REMOTE TESTING/RESETTING OF DUCT SMOKE DETECTOR. SEE HVAC PLAN FOR MOUNTING LOCATIONS. HSA - ALARM/STROBE, CARRIER #6536-GS(CRSDHNS001400), AUDIBLE/VISUAL SIGNAL DEVICE FOR SIGNALING ALARM OF DUCT SMOKE DETECTOR. SEE HVAC PLAN FOR MOUNTING LOCATIONS.													
ACCESSORIES - O'REILLY SUPPLIED & FIELD INSTALLED										ACCESSORIES - FIELD SUPPLIED & FIELD INSTALLED													
TS1 - GRIDPOINT THERMOSTAT, (NO SUBSTITUTIONS). REFER TO EM SHEETS. DS - NON-FUSED DISCONNECT SWITCH, (GRAYBAR/O'REILLY) SUPPLIED W/ ELECTRICAL BILL OF MATERIALS.										RC1 - ROOF CURB, (12" STANDARD, 14" IN EXTREME SNOW DRIFT AREA'S) ON NEW BUILDING, ROOF CURB IS BY BUILDING MANUFACTURER, ON EXISTING BUILDING, ROOF CURB IS BY GENERAL CONTRACTOR. WEIGHT OF ROOF CURB IS NOT INCLUDED IN THE WEIGHT ABOVE. PPS - PRIMARY PAN SENSOR, AQUAGUARD AG-3180E, (NO SUBSTITUTIONS).													
REMARKS										REMARKS													
△ COOLING CAPACITY BASED ON 80°F EDB AND 67°F EWB. △ CAPACITY BASED ON 95°F AMBIENT TEMPERATURE. △ NOTE HVAC COMPLETION, AT CONSTRUCTION COMPLETION: 1. CONTRACTOR SHALL REPLACE ALL RETURN AIR FILTERS INSIDE ALL HVAC UNITS W/CLEAN NEW AIR FILTERS. 2. CONTRACTOR SHALL SUPPLY AN ADDITIONAL CLEAN SET OF FILTERS TO THE OWNER AT JOB COMPLETION. 3. CONTRACTOR SHALL SHOW THE STORE MANAGER THE LOCATION OF & INSTRUCT HIM/HER HOW TO CHANGE ALL AIR FILTERS. △ FACTORY EQUIPPED WITH STANDARD LOW AMBIENT COOLING TO 35°F ODB.										△ OUTSIDE AIR, SEE PLAN FOR UNIT(S) REQUIRING OUTSIDE AIR. △ REFRIGERANT = R410A (PURON). △ THE MECHANICAL CONTRACTOR SHALL BE RESPONSIBLE FOR ALL WIRING AND CONNECTIONS REQUIRED BETWEEN THE SMOKE DETECTOR AND THE UNIT, AND SHALL PROVIDE SMOKE TESTING TO VERIFY PROPER OPERATION AND UNIT SHUT DOWN PRIOR TO OCCUPANCY. • MAXIMUM CIRCUIT BREAKER OR TIME-DELAY FUSE.													

ENERGY CODE SPECIAL																						
NATIONAL ACCOUNT ROOFTOP UNIT SCHEDULE - 5 TON - GAS (3-PHASE) - BY O'REILLY																						
RTU - RESPONSIBILITIES										CALL THE CARRIER CUSTOMER SERVICE REP. BELOW FOR CONFIRMATION OF ORDERS. DO NOT CALL CARRIER FOR QUOTES!												
1.) ALL CARRIER HVAC UNITS ARE OWNER SUPPLIED BY O'REILLY AUTOMOTIVE. 2.) MECHANICAL CONTRACTOR IS RESPONSIBLE FOR THE INSTALLATION OF ALL CARRIER HVAC UNITS. 3.) MECHANICAL CONTRACTOR IS RESPONSIBLE FOR THE FIRST YEAR LABOR WARRANTY ON ALL OWNER SUPPLIED EQUIPMENT. 4.) MECHANICAL CONTRACTORS WORKING ON O'REILLY PROJECTS MUST CALL "CARRIER CORPORATION'S NATIONAL ACCOUNTS" DEPARTMENT FOR CONFIRMATION OF ORDERS ONLY! 5.) MECHANICAL CONTRACTOR IS RESPONSIBLE FOR SCHEDULING, SHIPPING & RECEIVING OF ALL CARRIER UNITS FROM CARRIER NATIONAL ACCOUNTS. CONTACT CUSTOMER SERVICE REP. LISTED TO THE RIGHT.										CARRIER CORPORATION, STRATEGIC ACCOUNTS CARRIER PARKWAY SYRACUSE, NEW YORK 13221 CUSTOMER SERVICE REPS: MARIA CAMPANELLO 315-432-3946 maria.campanello@carrier.utc.com StrategicAccounts2@carrier.utc.com ACCOUNT MANAGER: PAUL WITZ CELL 315-317-2481 paul.witz@carrier.utc.com												
MARK	DESCRIPTION	MFR.	CATALOG NUMBER	HTG. MBH STAGE 1 IN/OUT	HTG. MBH STAGE 2 IN/OUT	TTL. HTG. IN/OUT	THERM. EFF.	CLG. MBH STAGE 1 TOT./SENS.	CLG. MBH STAGE 2 TOT./SENS.	TTL. COOL. TOT./SENS.	IEER	EER	CFM	O.A.	ESP	HP	MCA	MOCP	WT. (lbs.)	ACCESSORIES	REMARKS	REF. DTL.
RTU-3 RTU-4	WEATHERMASTER PACKAGED ROOFTOP UNIT 5-TON	CARRIER	48HCTA06K2M5-6U100	120/96	30/21	150/117	80%	60.4	48.0	15.20	12.45	2000	△	0.6	1.50	208/3φ 230/3φ	30	45*	750	SEE BELOW	△△△	1/2 2/M2
ACCESSORIES - FACTORY SUPPLIED AND INSTALLED										ACCESSORIES - FACTORY SUPPLIED & FIELD INSTALLED												
HE - 7" STAINLESS STEEL GAS HEAT EXCHANGER, (HIGH HEAT) (15 YR. WARRANTY). SD - RETURN AIR SMOKE DETECTOR. MB - MEDIUM STATIC BLOWER. HG - LOUVERED HAIL GUARDS. UPD - UN-POWERED CONVENIENCE OUTLET (FIELD POWERED), 15AMP, 120V, GROUND FAULT CIRCUIT INTERRUPTER (GFCI) TYPE. TBEG - THRU-THE-BOTTOM-ELECTRIC & GAS SERVICES, (SEE ROOF TOP UNIT DETAILS) SS - HI & LOW REFRIGERANT SAFETY SWITCHES, (STANDARD ON EVERY UNIT) AF - 2" RETURN AIR FILTERS, (STANDARD ON EVERY UNIT) EC - LOW LEAK DRY BULB ECONOMIZER X, W/BAROMETRIC RELIEF & 7220 HONEYWELL CONTROL. THIS ECONOMIZER & CONTROLLER IS LISTED BY THE ENERGY CODE AND IS EQUIPPED WITH FAULT DETECTION AND DIAGNOSTICS (FDD) FDD - FLUE DISCHARGE DEFLECTORS										CO2 - CO2 SENSOR, WALL MOUNT, #33ZCSPTC02LCO-01 CO2/SPACE TEMPERATURE SENSOR WITH LCD DISPLAY & NO OVERRIDE. RTRS - REMOTE TEST/RESET STATION, CARRIER #SD-TRM4(CRSDEST001400) FOR REMOTE TESTING/RESETTING OF DUCT SMOKE DETECTOR. SEE HVAC PLAN FOR MOUNTING LOCATIONS. HSA - ALARM/STROBE, CARRIER #6536-GS(CRSDHNS001400), AUDIBLE/VISUAL SIGNAL DEVICE FOR SIGNALING ALARM OF DUCT SMOKE DETECTOR. SEE HVAC PLAN FOR MOUNTING LOCATIONS.												
ACCESSORIES - O'REILLY SUPPLIED & FIELD INSTALLED										ACCESSORIES - FIELD SUPPLIED & FIELD INSTALLED												
TS1 - GRIDPOINT THERMOSTAT, (NO SUBSTITUTIONS). REFER TO EM SHEETS. DS - NON-FUSED DISCONNECT SWITCH, (GRAYBAR/O'REILLY) SUPPLIED W/ ELECTRICAL BILL OF MATERIALS.										RC1 - ROOF CURB, (12" STANDARD, 14" IN EXTREME SNOW DRIFT AREA'S) ON NEW BUILDING, ROOF CURB IS BY BUILDING MANUFACTURER, ON EXISTING BUILDING, ROOF CURB IS BY GENERAL CONTRACTOR. WEIGHT OF ROOF CURB IS NOT INCLUDED IN THE WEIGHT ABOVE. PPS - PRIMARY PAN SENSOR, AQUAGUARD AG-3180E, (NO SUBSTITUTIONS).												
REMARKS										REMARKS												
△ COOLING CAPACITY BASED ON 80°F EDB AND 67°F EWB. △ CAPACITY BASED ON 95°F AMBIENT TEMPERATURE. △ NOTE HVAC COMPLETION, AT CONSTRUCTION COMPLETION: 1. CONTRACTOR SHALL REPLACE ALL RETURN AIR FILTERS INSIDE ALL HVAC UNITS W/CLEAN NEW AIR FILTERS. 2. CONTRACTOR SHALL SUPPLY AN ADDITIONAL CLEAN SET OF FILTERS TO THE OWNER AT JOB COMPLETION. 3. CONTRACTOR SHALL SHOW THE STORE MANAGER THE LOCATION OF & INSTRUCT HIM/HER HOW TO CHANGE ALL AIR FILTERS. △ FACTORY EQUIPPED WITH STANDARD LOW AMBIENT COOLING TO 35°F ODB.										△ OUTSIDE AIR, SEE PLAN FOR UNIT(S) REQUIRING OUTSIDE AIR. △ REFRIGERANT = R410A (PURON). △ THE MECHANICAL CONTRACTOR SHALL BE RESPONSIBLE FOR ALL WIRING AND CONNECTIONS REQUIRED BETWEEN THE SMOKE DETECTOR AND THE UNIT, AND SHALL PROVIDE SMOKE TESTING TO VERIFY PROPER OPERATION AND UNIT SHUT DOWN PRIOR TO OCCUPANCY. • MAXIMUM CIRCUIT BREAKER OR TIME-DELAY FUSE.												



FAN SCHEDULE												
MARK	DESCRIPTION	MFR.	CATALOG NUMBER	CFM (NOM)	STATIC PRESS.	MOTOR H.P.	ELECTRICAL V/PH	MCA	MOCP	ACCESSORIES	REMARKS	REF. DETAIL
EE-1	INLINE EXHAUST FAN	COOK	GN-642	500	0.1	195W	120/1	-	-	BD,DS,WC	△△	-
EE-2	INLINE FAN	COOK	GN-642	500	0.1	195W	120/1	-	-	BD,DS,SS	△	-
ACCESSORIES												
BD - GRAVITY BACK DRAFT DAMPER DS - DISCONNECT SWITCH WC - WALL CAP, "COOK" #WCA-6, ALUMINUM SS - FAN SPEED SWITCH "COOK" #FSC (OFFICE ONLY)												
REMARKS												
△ ADJUST FOR CFM REQUIRED. △ EXHAUST FAN SHALL BE WIRED BY THE ELECTRICAL CONTRACTOR TO OPERATE WITH EITHER RESTROOM'S LIGHT SWITCH. △ FAN IN OFFICE TO BE CONTROLLED BY FAN SPEED SWITCH.												
APPROVED ALTERNATE MANUFACTURER'S												
FANS: *GREENHECK *CARNES												

GRILLE AND DIFFUSER SCHEDULE											
MARK	DESCRIPTION	MFR.	CATALOG NUMBER	SIZE (in.)	FINISH	MOUNTING	BRANCH DUCT SIZE	ACCESSORIES	REMARKS	REF. DETAIL	
(G1)	SUPPLY GRILLE	ANEMOSTAT	S2HO	14x14	WHITE	DUCT	SEE PLAN	OB	△	-	
(S1)	SUPPLY DIFFUSER	ANEMOSTAT	E-1-D	12x12	WHITE	SURFACE	SEE PLAN	DT	△△	4/M2	
(S2)	SUPPLY DIFFUSER	ANEMOSTAT	EPL	24x24	WHITE	DUCT/LAY-IN	SEE PLAN	-	△	5/M2	
(R1)	RETURN GRILLE	ANEMOSTAT	GC5	24x24	WHITE	LAY-IN/EXPOSED	SEE PLAN	-	NON-FILTERED GRILLE	5/M2	
(R2)	RETURN GRILLE	ANEMOSTAT	GC5	12x12	WHITE	SURFACE	SEE PLAN	-	NON-FILTERED GRILLE	4/M2	
(X1)	EXHAUST GRILLE	ANEMOSTAT	S3HS	12x12	WHITE	CEILING	SEE PLAN	OB	-	-	
ACCESSORIES											
OB - OPPOSED BLADE DAMPER. DT - DIRECTIONAL TABS.											
REMARKS											
△ 1-WAY △ 4-WAY △ DIRECTIONAL TABS, ADJUST TO PROVIDE THROW AS INDICATED ON PLANS.											
APPROVED ALTERNATE MANUFACTURER'S											
GRILLES, DIFFUSERS & DAMPERS: *TUTTLE & BAILEY *NAILOR *PRICE INDUSTRIES *ARROW *KRUEGER *CARNES											



ENGINEER OF RECORD
ABEY L. THURMAN
ENGINEER LICENSE NUMBER
38151-E
SHEETS BEARING THIS SEAL ARE AUTHENTICATED. RESPONSIBILITY FOR ALL OTHER PLANS, SPECIFICATIONS OR INSTRUMENTS ARE DISCLAIMED.

SGE
SMITH-GOTH ENGINEERS, INC.
3885 S. JEFFERSON AVE. P.O. BOX 2200
SPRINGFIELD, MISSOURI 65802
PI: 417-885-2820
FAX: 417-885-2166
WWW.SMGTH.COM

O'Reilly AUTO PARTS
CORPORATE OFFICES
235 SOUTH PATTERSON
SPRINGFIELD, MISSOURI 65802
(417) 882-6874 TELEPHONE

PROJECT:
NEW O'REILLY AUTO PARTS STORE
11778 COUNTY LINE ROAD
MADISON, AL 35758

HVAC SCHEDULES

DRAWN BY:
CEV

CHECKED BY:
AT/BC

DATE:
05/10/2019

REVISION:

PROJECT NUMBER:
19098-MS3

SHEET NUMBER
M2

REPRODUCTION PROHIBITED WITHOUT THE EXPRESSED WRITTEN CONSENT OF THE DESIGN PROFESSIONAL. © COPYRIGHT 2018-2019. 1