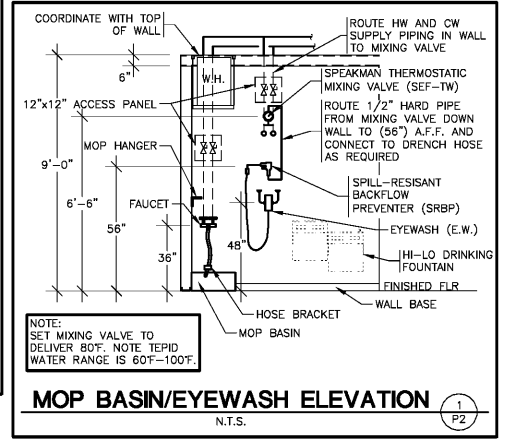
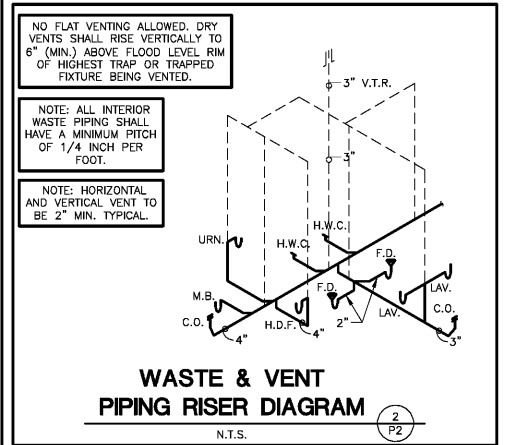
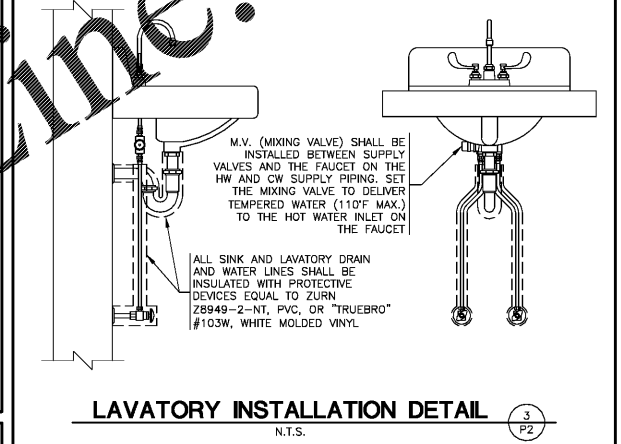
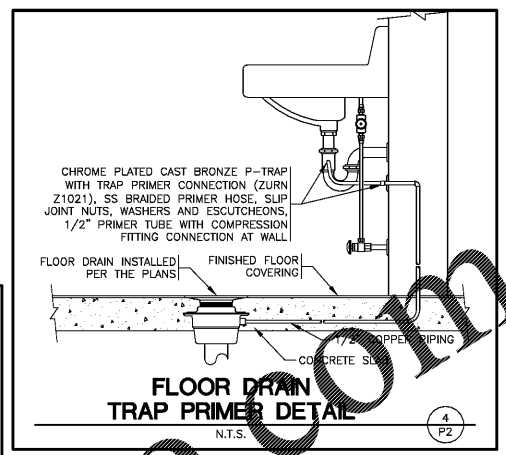
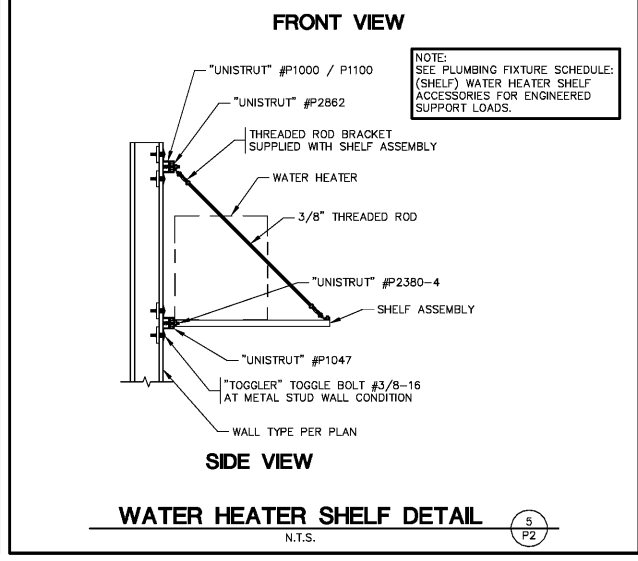
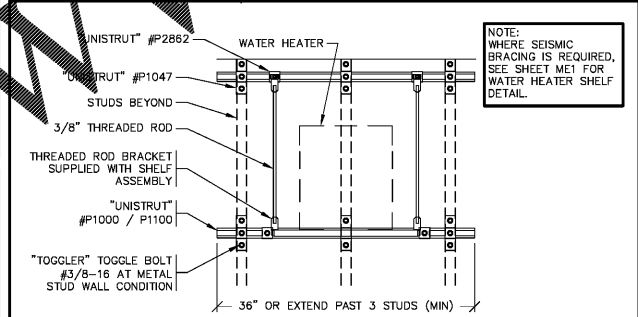
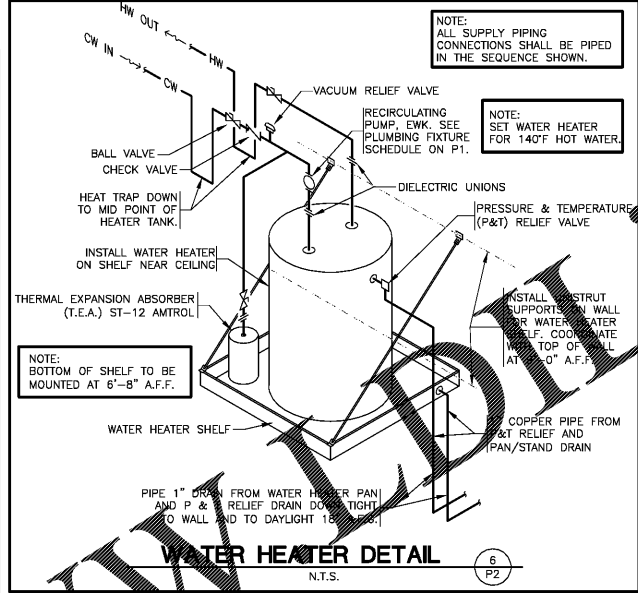
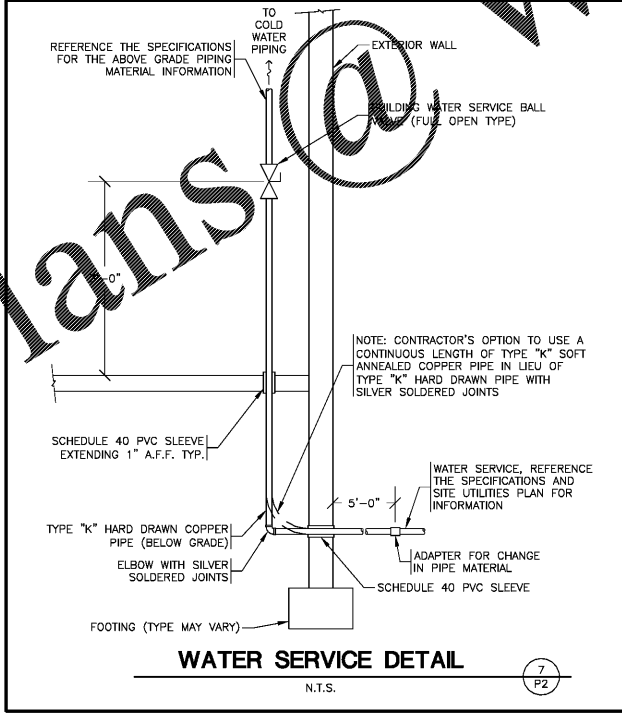
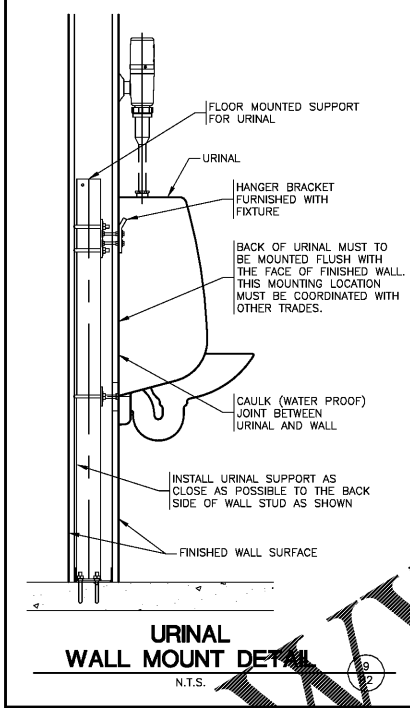
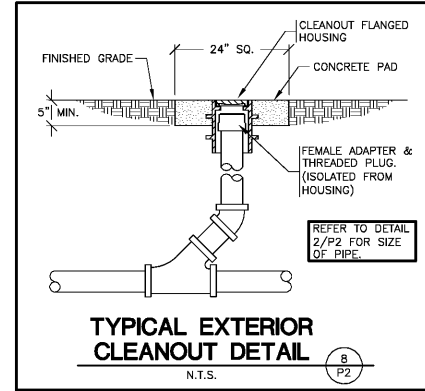


Order Plans @ www.wmlonline.com

PLUMBING CALCULATIONS

FIXTURE	QUANTITY	TOTAL-SFU	TOTAL	TOTAL-HW	TOTAL	DFU	TOTAL
W.C. (TANK)	2	5	10	0	0	4	8
URN. (URINAL)	1	5	5	0	0	4	4
LAV. (LAVATORY)	2	2	4	1.5	3.00	2	4
M.B. (MOP BASIN)	1	3	3	1.5	1.50	2	2
H.D.F. (FOUNTAIN)	1	0.25	0.25	0	0	0.5	0.50
H.B. (HOSE BIBB)	2	3	6	0	0	0	0
TOTAL		28.25	TOTAL	4.50	TOTAL	18.50	
TOTAL CW GPM	20	AVERAGE DAILY FLOW = 125 gal/DAY					
COLD WATER SERVICE SIZE	1"						



ENGINEER OF RECORD
ABEY L. THURMAN
ENGINEER LICENSE NUMBER
38151-E
SHEETS BEARING THIS SEAL ARE AUTHENTICATED. RESPONSIBILITY FOR ALL OTHER PLANS, SPECIFICATIONS OR INSTRUMENTS ARE DISCLAIMED.



PROJECT:
NEW O'REILLY AUTO PARTS STORE
11178 COUNTY LINE ROAD
MADISON, AL 35758
PLUMBING DETAILS



DRAWN BY: **CEV** CHECKED BY: **AT/BC**
DATE: **05/10/2019**
REVISION:

PROJECT NUMBER:
19098-MS3
SHEET NUMBER
P2