

**STEEL SQUARE POLES**

Use ONLY with Wind Speed Map for ASCE7-10

POLE	110 MPH	115 MPH	120 MPH	125 MPH	130 MPH	135 MPH	140 MPH	145 MPH	150 MPH	155 MPH	160 MPH	165 MPH	170 MPH
4" x 4" x 10' 0"	12.3	11.3	10.3	9.3	8.3	7.3	6.3	5.3	4.3	3.3	2.3	1.3	0.3
4" x 4" x 12' 0"	10.8	9.8	8.8	7.8	6.8	5.8	4.8	3.8	2.8	1.8	0.8	-0.2	-1.2
4" x 4" x 14' 0"	9.7	8.7	7.7	6.7	5.7	4.7	3.7	2.7	1.7	0.7	-0.3	-1.3	-2.3
4" x 4" x 16' 0"	8.7	7.7	6.7	5.7	4.7	3.7	2.7	1.7	0.7	-0.3	-1.3	-2.3	-3.3
4" x 4" x 18' 0"	7.8	6.8	5.8	4.8	3.8	2.8	1.8	0.8	-0.2	-1.2	-2.2	-3.2	-4.2
4" x 4" x 20' 0"	7.0	6.0	5.0	4.0	3.0	2.0	1.0	0.0	-1.0	-2.0	-3.0	-4.0	-5.0
4" x 4" x 22' 0"	6.3	5.3	4.3	3.3	2.3	1.3	0.3	-0.7	-1.7	-2.7	-3.7	-4.7	-5.7
4" x 4" x 24' 0"	5.7	4.7	3.7	2.7	1.7	0.7	-0.3	-1.3	-2.3	-3.3	-4.3	-5.3	-6.3
4" x 4" x 26' 0"	5.2	4.2	3.2	2.2	1.2	0.2	-0.8	-1.8	-2.8	-3.8	-4.8	-5.8	-6.8
4" x 4" x 28' 0"	4.7	3.7	2.7	1.7	0.7	-0.3	-1.3	-2.3	-3.3	-4.3	-5.3	-6.3	-7.3
4" x 4" x 30' 0"	4.3	3.3	2.3	1.3	0.3	-0.7	-1.7	-2.7	-3.7	-4.7	-5.7	-6.7	-7.7
4" x 4" x 32' 0"	3.9	2.9	1.9	0.9	-0.1	-1.1	-2.1	-3.1	-4.1	-5.1	-6.1	-7.1	-8.1
4" x 4" x 34' 0"	3.6	2.6	1.6	0.6	-0.4	-1.4	-2.4	-3.4	-4.4	-5.4	-6.4	-7.4	-8.4
4" x 4" x 36' 0"	3.3	2.3	1.3	0.3	-0.7	-1.7	-2.7	-3.7	-4.7	-5.7	-6.7	-7.7	-8.7
4" x 4" x 38' 0"	3.0	2.0	1.0	0.0	-1.0	-2.0	-3.0	-4.0	-5.0	-6.0	-7.0	-8.0	-9.0
4" x 4" x 40' 0"	2.7	1.7	0.7	-0.3	-1.3	-2.3	-3.3	-4.3	-5.3	-6.3	-7.3	-8.3	-9.3
4" x 4" x 42' 0"	2.5	1.5	0.5	-0.5	-1.5	-2.5	-3.5	-4.5	-5.5	-6.5	-7.5	-8.5	-9.5
4" x 4" x 44' 0"	2.3	1.3	0.3	-0.7	-1.7	-2.7	-3.7	-4.7	-5.7	-6.7	-7.7	-8.7	-9.7
4" x 4" x 46' 0"	2.1	1.1	0.1	-0.9	-1.9	-2.9	-3.9	-4.9	-5.9	-6.9	-7.9	-8.9	-9.9
4" x 4" x 48' 0"	1.9	0.9	-0.1	-1.1	-2.1	-3.1	-4.1	-5.1	-6.1	-7.1	-8.1	-9.1	-10.1
4" x 4" x 50' 0"	1.7	0.7	-0.3	-1.3	-2.3	-3.3	-4.3	-5.3	-6.3	-7.3	-8.3	-9.3	-10.3
4" x 4" x 52' 0"	1.5	0.5	-0.5	-1.5	-2.5	-3.5	-4.5	-5.5	-6.5	-7.5	-8.5	-9.5	-10.5
4" x 4" x 54' 0"	1.3	0.3	-0.7	-1.7	-2.7	-3.7	-4.7	-5.7	-6.7	-7.7	-8.7	-9.7	-10.7
4" x 4" x 56' 0"	1.1	0.1	-0.9	-1.9	-2.9	-3.9	-4.9	-5.9	-6.9	-7.9	-8.9	-9.9	-10.9
4" x 4" x 58' 0"	0.9	-0.1	-1.1	-2.1	-3.1	-4.1	-5.1	-6.1	-7.1	-8.1	-9.1	-10.1	-11.1
4" x 4" x 60' 0"	0.7	-0.3	-1.3	-2.3	-3.3	-4.3	-5.3	-6.3	-7.3	-8.3	-9.3	-10.3	-11.3

All LSI loadings are based on the ASCE 7-10 requirements. Pole manufacturer is not responsible for a pole error if a tower EPR rating that is indicated. Pole manufacturer is not responsible for a pole error if a tower EPR rating that is indicated. Pole manufacturer is not responsible for a pole error if a tower EPR rating that is indicated.

**STEEL SQUARE POLES**

**POLE ORDERING INFORMATION**

TYPICAL ORDER EXAMPLE: **5SQB5 S07G 24 S PLP SF DGP**

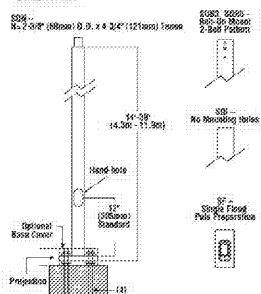
Pole Section	Material	Weight	Mounting Configuration	Pole Finish	Options
Sub-structure (See pole section guide for patterns and full details)	A36 - 11 Ga. Steel 502C - 51 Ga. Steel	5' 1/2" - 5000' (Standard) 5' 1/2" - 1000' (Double) 5' 1/2" - 2000' (Double) 5' 1/2" - 3000' (Double) 5' 1/2" - 4000' (Double) 5' 1/2" - 5000' (Double)	SP2 - 5000' (Standard) SP1 - 1000' (Double) SP0 - 2000' (Double) SP- - 3000' (Double) SP+ - 4000' (Double) SP++ - 5000' (Double)	SP2 - 5000' (Standard) SP1 - 1000' (Double) SP0 - 2000' (Double) SP- - 3000' (Double) SP+ - 4000' (Double) SP++ - 5000' (Double)	GA - Galvalume SP - Single Finish DF - Double Finish WP - White LP - Lead LAP - Lead DGP - Galvalume MCP - Metal Coated MCP+ - Metal Coated Plus

**ACCESSORY ORDERING INFORMATION**

1 - See ASCE 7-10 for details on wind loading. Pole manufacturer is not responsible for a pole error if a tower EPR rating that is indicated. Pole manufacturer is not responsible for a pole error if a tower EPR rating that is indicated.

**STEEL SQUARE POLES**

**DRILLING LOCATIONS**



Side	Anchor Bolt Location	Distance from Pole Center
Side 1"	Anchor Bolt	6"
Side 2"	Anchor Bolt	6"
Side 3"	Anchor Bolt	6"
Side 4"	Anchor Bolt	6"

**POLE SHAFT** - Pole shaft is galvanized ASTM-A500 Grade C steel tubing with a minimum yield strength of 50,000 psi. The tower mount steel poles, length is 2.38" O.D. high strength pipe. Length is 4'-0" in length. Straight poles are 4", 5", and 6" diameters.

**HAND-HOLE** - Standard hand-hole location is 12" above pole base. Poles 22' and above have a 2" x 6" reinforced hand hole. Shorter poles have a 2" x 4" reinforced hand hole.

**BASE** - Pole base is ASTM-A36 hot-rolled steel plate with a minimum yield strength of 36,000 psi. Two gusset plates are used to reinforce.

**ANCHOR BOLTS** - Poles are finished with anchor bolts having two (2) double nut and washers. Galvanized anchor bolts are required. Anchor bolts conform to ASTM F 1554-07a Grade 55 with a minimum yield strength of 25,000 psi.

**GROUND LUG** - Ground lug is standard.

**GROUND FAULT CIRCUIT INTERRUPTER** - Self-testing ground fault circuit interrupter is standard.

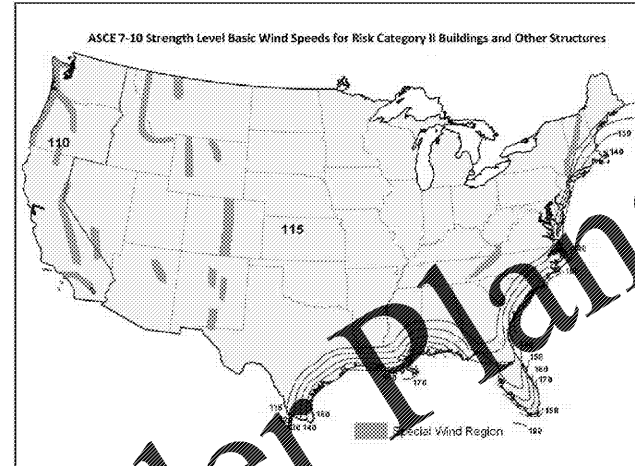
**FINISHER** - Each pole is finished with "Durabond" Plus based on polyester resin with a finishing process which electrostatically applies and forms a polyester powder on the pole. Provides an extremely smooth and uniform finish to withstand weather and changes without cracking or peeling, and features a fine texture that provides Durabond Plus features the added protection of a 3.0 mil thick coat of powder. powder finish plus an inner coating, as well as a smooth finished surface.

Project Name: \_\_\_\_\_ J. E. Frazier Type \_\_\_\_\_ 10/2017  
 Catalog # \_\_\_\_\_ 137 980187855 902

Project Name: \_\_\_\_\_ J. E. Frazier Type \_\_\_\_\_ 10/2017  
 Catalog # \_\_\_\_\_ 137 980187855 902

Project Name: \_\_\_\_\_ J. E. Frazier Type \_\_\_\_\_ 10/2017  
 Catalog # \_\_\_\_\_ 137 980187855 902

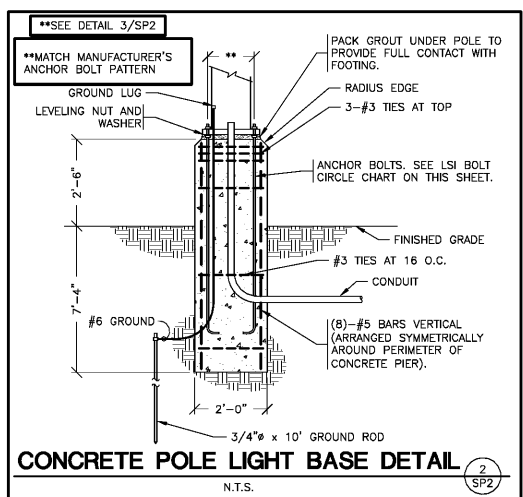
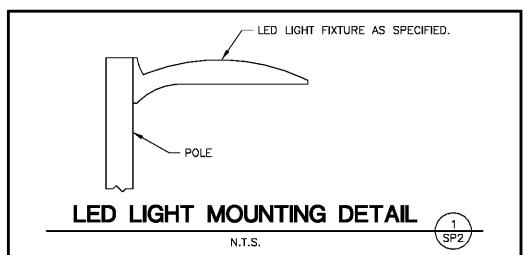
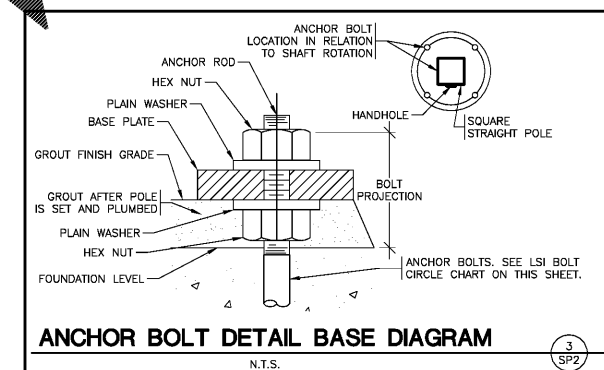
**WINDSPEED MAP FOR ASCE7-10**



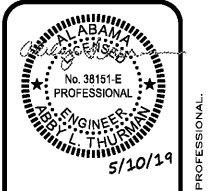
Wind Speed Map used for ASCE 7-10 is an extract of an ANSI/ASCE 7-10. Please inform LSI if your local code requirements differ. LSI can supply calculations for local requirements.

**NOTES:**

- Values are the basic wind speeds of 3-second gusts for exposure Category 2.
- Values are the basic wind speeds for exposure Category 1.
- Values are the basic wind speeds for exposure Category 3.
- Values are the basic wind speeds for exposure Category 4.
- Values are the basic wind speeds for exposure Category 5.



Project Name: \_\_\_\_\_ J. E. Frazier Type \_\_\_\_\_ 6/2017  
 Catalog # \_\_\_\_\_ 137 980187855 902



**ENGINEER OF RECORD**  
**ABEY L. THIRUMAN**  
 ENGINEER LICENSE NUMBER  
**38151-E**  
 SHEETS BEARING THIS SEAL ARE AUTHENTICATED. RESPONSIBILITY FOR ALL OTHER PLANS, SPECIFICATIONS OR INSTRUMENTS ARE DISCLAIMED.



**PROJECT:**  
**NEW O'REILLY AUTO PARTS STORE**  
**11178 COUNTY LINE ROAD**  
**MADISON, AL 35758**

**SITE LIGHTING DETAILS**

**O'Reilly AUTO PARTS**

**CORPORATE OFFICES**  
 233 SOUTH PATTERSON  
 SPRINGFIELD, MISSOURI 65802  
 (417) 867-6674 TELEPHONE

DRAWN BY: **CEV** CHECKED BY: **AT/BC**  
 DATE: **05/10/2019**  
 REVISION: \_\_\_\_\_

PROJECT NUMBER:  
**19098-MS3**

SHEET NUMBER  
**SP2**

COPYRIGHT 2018-2019 BY THE PROPERTY OF THE DESIGN PROFESSIONAL. REPRODUCTION PROHIBITED WITHOUT THE EXPRESSED WRITTEN CONSENT OF THE DESIGN PROFESSIONAL.