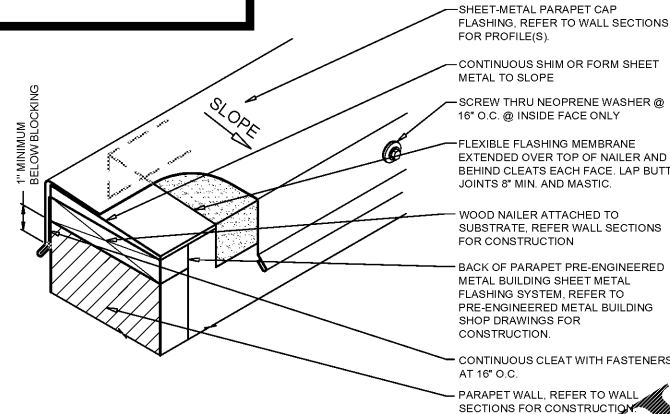


NOTE:
JOINTS SHALL OCCUR AT 10'-0\"/>

NOTE:
REFER TO SECTIONS AND DETAILS FOR WALL CONSTRUCTION ASSEMBLIES AND NOTATION.



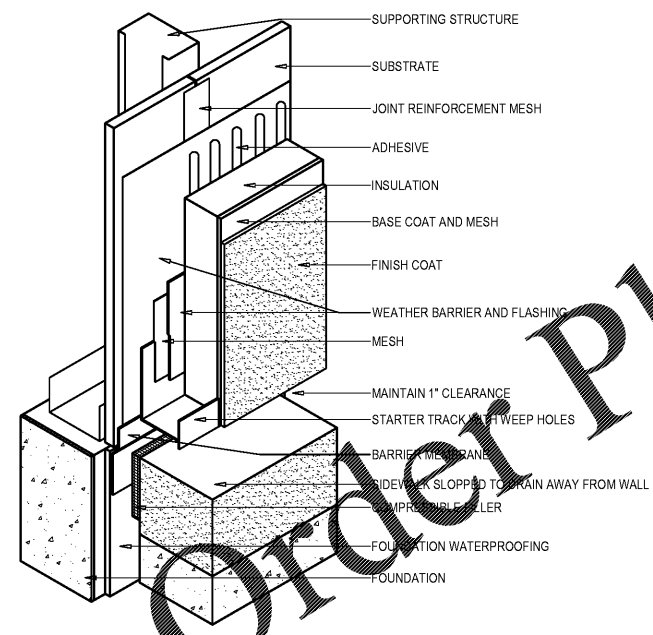
NOTE:
REFER TO SECTIONS AND DETAILS FOR WALL CONSTRUCTION ASSEMBLIES AND NOTATION.

NOTES:
1. INSTALLATION TO BE COMPLETED IN ACCORDANCE WITH MANUFACTURER'S SPECIFICATIONS.

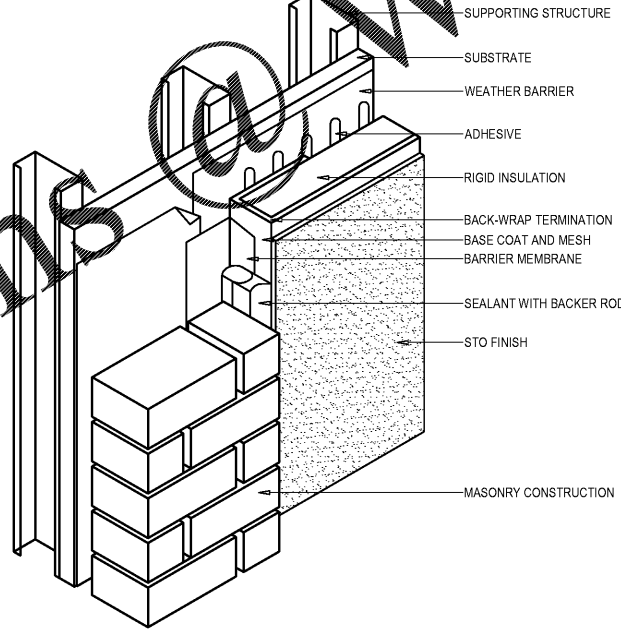
1 NOT USED
A6.1 SCALE: N.T.S.

2 TYPICAL COPING FLASHING DETAIL
A6.1 SCALE: N.T.S.

3 EIFS DECORATIVE JOINT DETAIL
A6.1 SCALE: N.T.S.



NOTE:
REFER TO SECTIONS AND DETAILS FOR WALL CONSTRUCTION ASSEMBLIES AND NOTATION.



NOTE:
REFER TO SECTIONS AND DETAILS FOR WALL CONSTRUCTION ASSEMBLIES AND NOTATION.

NOTES:
1. INSTALLATION TO BE COMPLETED IN ACCORDANCE WITH MANUFACTURER'S SPECIFICATIONS.

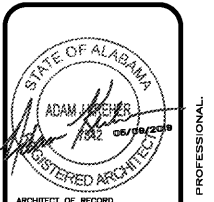
NOTES:
1. INSTALLATION TO BE COMPLETED IN ACCORDANCE WITH MANUFACTURER'S SPECIFICATIONS.

4 EIFS TERMINATION DETAIL
A6.1 SCALE: N.T.S.

5 EIFS TERMINATION DETAIL
A6.1 SCALE: N.T.S.

GENERAL NOTES

- (A) REFER TO PROJECT MANUAL AND SCOPE OF WORK SCHEDULE FOR ADDITIONAL REQUIREMENTS.
- (B) SHEET METAL AND ROOFING CONSTRUCTION SHALL COMPLY WITH NATIONAL ROOFING CONTRACTORS ASSOCIATION (NRCA) AND SHEET METAL AND AIR CONDITIONING CONTRACTORS NATIONAL ASSOCIATION (SMACNA) DESIGN STANDARDS AND RECOMMENDATIONS.



ARCHITECT OF RECORD
ADAM KREHER
ARCHITECT LICENSE NUMBER
7842
SHEETS BEARING THIS SEAL ARE AUTHENTICATED. RESPONSIBILITY FOR ALL OTHER PLANS, SPECIFICATIONS OR INSTRUMENTS ARE DISCLAIMED.

ADAM KREHER, ARCHITECT
116 N. 2ND AVENUE
OZARK, MO 65721
P (417) 581-8889
F (417) 581-9002

PROJECT:
NEW O'REILLY AUTO PARTS STORE
11178 COUNTY LINE ROAD
MADISON, AL 35758
EXTERIOR DETAILS



DRAWN BY: NO
CHECKED BY: KR
DATE: 05/10/2019
REVISION:
PROJECT NUMBER: 19098-MS3

SHEET NUMBER
A6.1