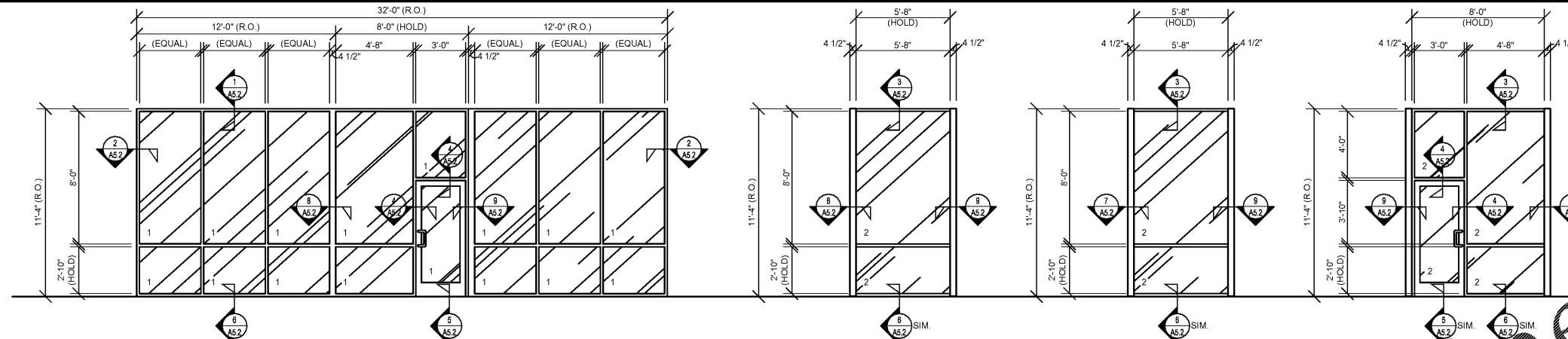


WINDOW TYPES

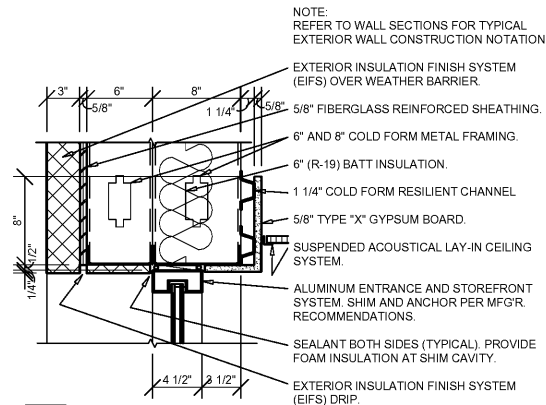


A ALUMINUM STOREFRONT FRAMING (2" X 4 1/2") SYSTEM, THERMALLY BROKEN, FIXED UNIT.

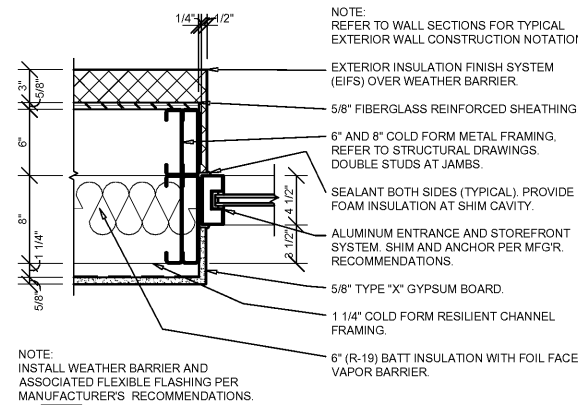
B1 ALUMINUM STOREFRONT FRAMING (2" X 4 1/2") SYSTEM, THERMALLY BROKEN, FIXED UNIT.

B2 ALUMINUM STOREFRONT FRAMING (2" X 4 1/2") SYSTEM, THERMALLY BROKEN, FIXED UNIT.

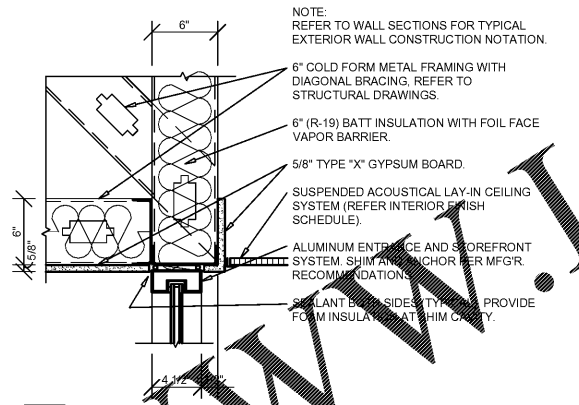
C ALUMINUM STOREFRONT FRAMING (2" X 4 1/2") SYSTEM, THERMALLY BROKEN, FIXED UNIT.



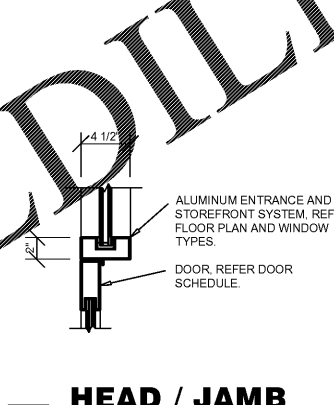
1 HEAD DETAIL
A5.2 SCALE: 1 1/2" = 1'-0"



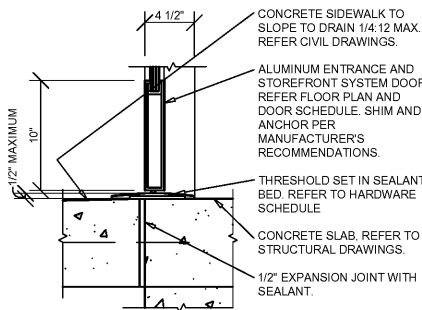
2 JAMB DETAIL
A5.2 SCALE: 1 1/2" = 1'-0"



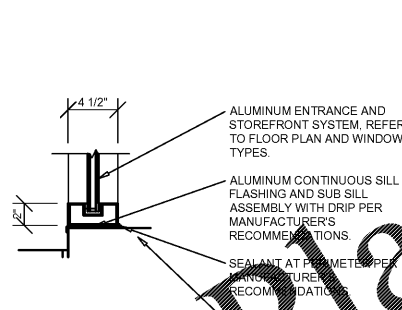
3 HEAD DETAIL
A5.2 SCALE: 1 1/2" = 1'-0"



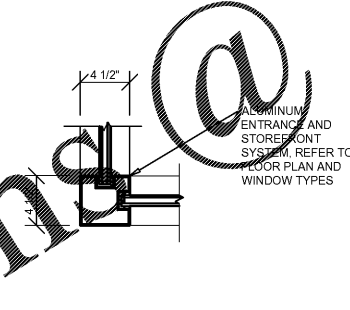
4 HEAD / JAMB DETAIL
A5.2 SCALE: 1 1/2" = 1'-0"



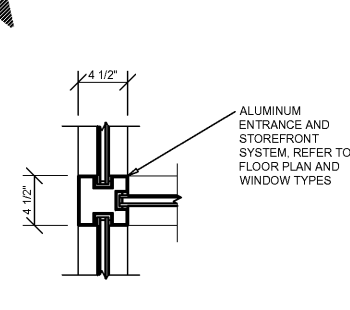
5 SILL DETAIL
A5.2 SCALE: 1 1/2" = 1'-0"



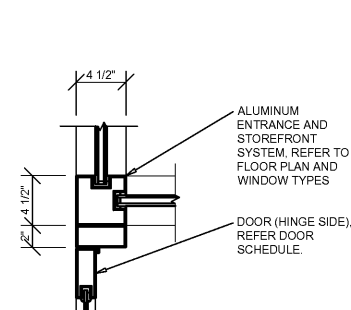
6 SILL DETAIL
A5.2 SCALE: 1 1/2" = 1'-0"



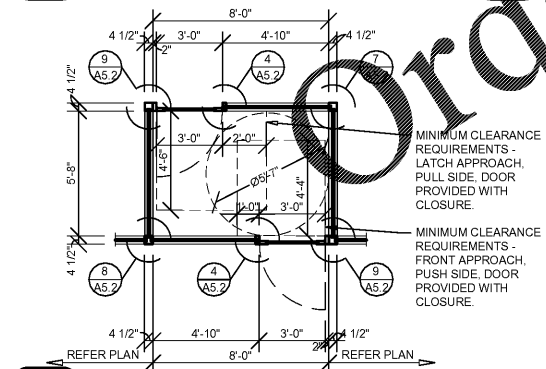
7 JAMB DETAIL
A5.2 SCALE: 1 1/2" = 1'-0"



8 JAMB DETAIL
A5.2 SCALE: 1 1/2" = 1'-0"



9 JAMB DETAIL
A5.2 SCALE: 1 1/2" = 1'-0"



10 VESTIBULE ENLARGE PLAN
A5.2 SCALE: 1/4" = 1'-0"

GENERAL NOTES

- A REFER TO PROJECT MANUAL FOR ADDITIONAL REQUIREMENTS.
- B REFER TO BUILDING CODE SUMMARY FOR PROJECT STRUCTURAL DESIGN CRITERIA. WINDOW FRAMING AND ANCHORING SYSTEMS SHALL BE DESIGNED BY MANUFACTURER TO CONFORM TO PERFORMANCE AND TESTING REQUIREMENTS SPECIFIED.
- C REFER TO FLOOR PLAN, ELEVATIONS, AND SECTIONS FOR ADDITIONAL REQUIREMENTS.
- D WINDOW TYPE ELEVATIONS SHOWN VIEWED FROM EXTERIOR SIDE.
- E REFER TO EXTERIOR FINISH SCHEDULES FOR ALUMINUM WINDOW FRAMING COLORS. PERIMETER SEALANT COLOR TO MATCH WINDOW FRAMING COLOR UNLESS OTHERWISE INDICATED.
- F ALL DIMENSIONS TO FINISH FACE UNLESS OTHERWISE INDICATED. PROVIDE FINAL ROUGH OPENINGS PRIOR TO FABRICATION.
- G REFER TO WINDOW AND HARDWARE SCHEDULES FOR ADDITIONAL REQUIREMENTS.
- H SECURITY SHUTTERS MAY BE REQUIRED. CONTACT PROJECT ADMINISTRATOR FOR VERIFICATION. (REFER TO SCOPE OF WORK SCHEDULE) PROVIDE ADDITIONAL SUPPORT FRAMING SYSTEM AS REQUIRED.
- I WHEN WIND SPEED IS EQUAL TO OR GREATER THAN 120 MPH, A STORM PANEL SYSTEM SHALL BE OWNER FURNISHED AND INSTALLED. CONTACT PROJECT ADMINISTRATOR TO VERIFY AND COORDINATE WITH SYSTEM PROVIDED BY OTHERS. (REFER TO SCOPE OF WORK SCHEDULE) PROVIDE ADDITIONAL SUPPORT FRAMING SYSTEM AS REQUIRED.
- J CONTRACTOR'S OPTION TO DIRECT ORDER AND PURCHASE WINDOW FRAMING SYSTEM AND GLAZING FROM THE FOLLOWING SUPPLIER (REFER TO SCOPE OF WORK SCHEDULE):

COULTER & COMPANY
13711 E. 66TH ST. N.
OWASSO, OK 74055
PHONE: (918) 272-4494
FAX: (918) 272-7908
EMAIL: car@coulterglass.com
CONTACT: Carl Yorman

GLAZING SCHEDULE

- 1 1" INSULATED SAFETY GLAZING (1/4" VITRO "SOLEXIA" EXTERIOR PANE / 1/4" CLEAR INTERIOR PANE) SHADING COEFFICIENT 0.57
 - 2 1" INSULATED SAFETY GLAZING (1/4" CLEAR EXTERIOR PANE / 1/4" CLEAR INTERIOR PANE) SHADING COEFFICIENT 0.81
- NOTE:
ENTRY ASSEMBLY MUST MEET U-FACTOR & SHGC REQUIREMENTS OF THE 2015 IBC.
FIXED FENESTRATION: MAX U-FACTOR OF 0.24
ENTERANCE DOORS: MAX U-FACTOR OF 0.24
SHGC: MAX 0.17

STATE OF ALABAMA
REGISTERED ARCHITECT
ADAM KREHER
ARCHITECT LICENSE NUMBER 7842

ARCHITECT OF RECORD
ADAM KREHER
ARCHITECT LICENSE NUMBER 7842

SHEETS BEARING THIS SEAL ARE AUTHENTICATED. RESPONSIBILITY FOR ALL OTHER PLANS, SPECIFICATIONS OR INSTRUMENTS ARE DISCLAIMED.

PROJECT:
NEW O'REILLY AUTO PARTS STORE
11178 COUNTY LINE ROAD
MADISON, AL 35758

O'Reilly AUTO PARTS
CORPORATE OFFICES
233 SOUTH PATTERSON
SPRINGFIELD, MISSOURI 65802
(417) 882-2674 TELEPHONE

ADAM KREHER, ARCHITECT

REPRODUCTION PROHIBITED WITHOUT THE EXPRESSED WRITTEN CONSENT OF THE DESIGN PROFESSIONAL.

DRAWN BY: NO
CHECKED BY: KR
DATE: 05/10/2019
REVISION:
PROJECT NUMBER: 19098-MS3
SHEET NUMBER: **A5.2**