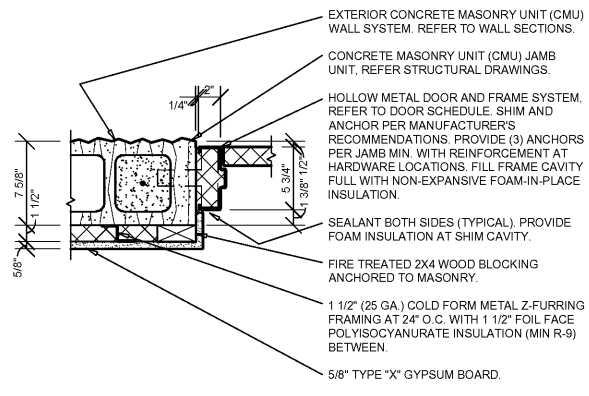


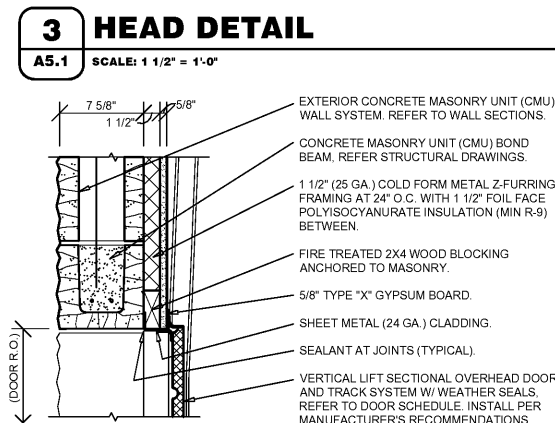
1 HEAD DETAIL
A5.1 SCALE: 1 1/2" = 1'-0"



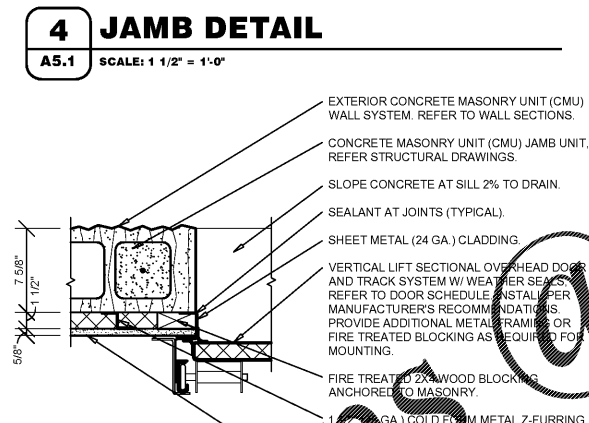
2 JAMB DETAIL
A5.1 SCALE: 1 1/2" = 1'-0"

NOTE:
FOR TYPICAL EXTERIOR
WALL CONSTRUCTION
NOTATION, REFER

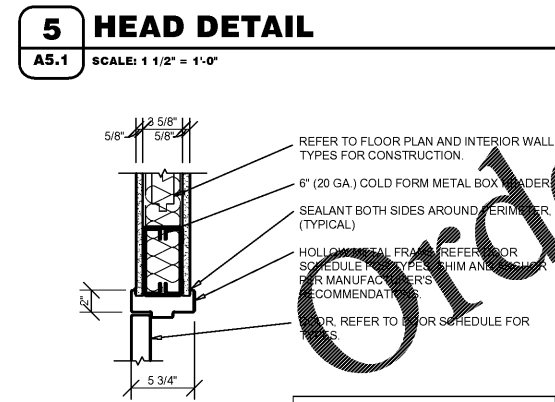
NOTE:
FOR TYPICAL EXTERIOR
WALL CONSTRUCTION
NOTATION, REFER



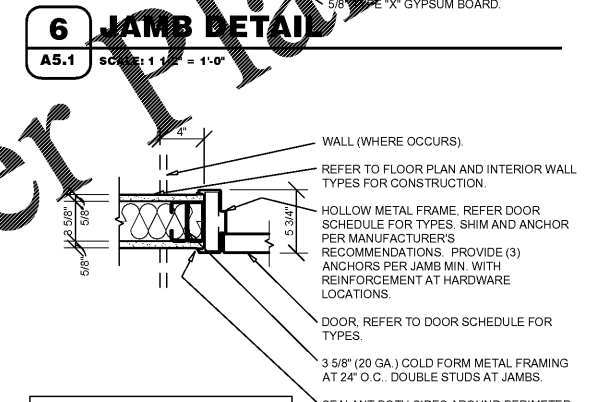
3 HEAD DETAIL
A5.1 SCALE: 1 1/2" = 1'-0"



4 JAMB DETAIL
A5.1 SCALE: 1 1/2" = 1'-0"



5 HEAD DETAIL
A5.1 SCALE: 1 1/2" = 1'-0"



6 JAMB DETAIL
A5.1 SCALE: 1 1/2" = 1'-0"



7 HEAD DETAIL
A5.1 SCALE: 1 1/2" = 1'-0"



8 JAMB DETAIL
A5.1 SCALE: 1 1/2" = 1'-0"

SPECIAL NOTE:
UNLESS OTHERWISE INDICATED, KNOCK
DOWN (KD) TYPE DOOR FRAMES ARE NOT
PERMITTED.

SPECIAL NOTE:
UNLESS OTHERWISE INDICATED, KNOCK
DOWN (KD) TYPE DOOR FRAMES ARE NOT
PERMITTED.

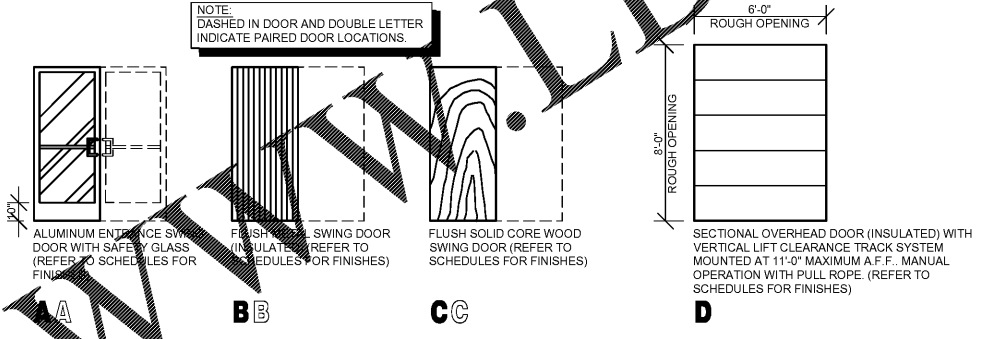
MK	DOOR			DOOR HARDWARE			FRAME			DETAILS			FIRE RATING	REMARKS (REFER NOTES)
	SIZE (W x H x D)	TYPE	SWING	MATERIAL	GLAZ TYPE	SET #	KEYED	TYPE	MATERIAL	HEAD WIDTH	HEAD	JAMB		
1	3'-0" X 7'-0" X 1-3/4"	A	REFER TO FLOOR PLAN	ALUMINUM	1	1	A	1	ALUMINUM		4/A5.2	4/A5.2	5/A5.2	1, 2
2	3'-0" X 7'-0" X 1-3/4"	B	REFER TO FLOOR PLAN	INSULATED METAL		2	A	2	INSULATED METAL		1/A5.1	2/A5.1	5/A5.2 SIM	1, 2, 3
3	6'-0" X 6'-0"	D	SECTIONAL OVERHEAD	INSULATED METAL		3			MANUFACTURER'S STANDARDS		5/A5.1	6/A5.1		1
4	3'-0" X 7'-0" X 1-3/4"	C	REFER TO FLOOR PLAN	SOLID WOOD		4		2	HOLLOW METAL		7/A5.1	8/A5.1		1, 4
5	3'-0" X 7'-0" X 1-3/4"	C	REFER TO FLOOR PLAN	SOLID WOOD		5		2	HOLLOW METAL		7/A5.1	8/A5.1		1, 4
6	3'-0" X 7'-0" X 1-3/4"	C	REFER TO FLOOR PLAN	SOLID WOOD		5		2	HOLLOW METAL		7/A5.1	8/A5.1		1, 4
7	3'-0" X 7'-0" X 1-3/4"	B	REFER TO FLOOR PLAN	INSULATED METAL		6		2	INSULATED METAL		3/A5.1	4/A5.1	5/A5.2 SIM	1, 3
8	3'-0" X 7'-0" X 1-3/4"	A	REFER TO FLOOR PLAN	ALUMINUM	2	7		1	ALUMINUM		4/A5.2	4/A5.2	5/A5.2 SIM	1

NOTES:
1. ALL DOORS SHALL BE SHOP PREPARED FOR HARDWARE.
2. ALL EXTERIOR DOORS TO BE KEYPAD ALIKE. CONTRACTOR TO FIELD VERIFY AND MATCH CORE OF DOOR MARKED "Z".
3. EXTERIOR DOOR, FRAME AND HARDWARE OWNER FURNISHED AND CONTRACTOR INSTALLED. REFER TO SCOPE OF WORK SCHEDULE.
4. CONTRACTOR'S OPTION TO PURCHASE INTERIOR DOORS, FRAMES, AND HARDWARE THROUGH PREFERRED VENDOR. REFER TO SCOPE OF WORK SCHEDULE.

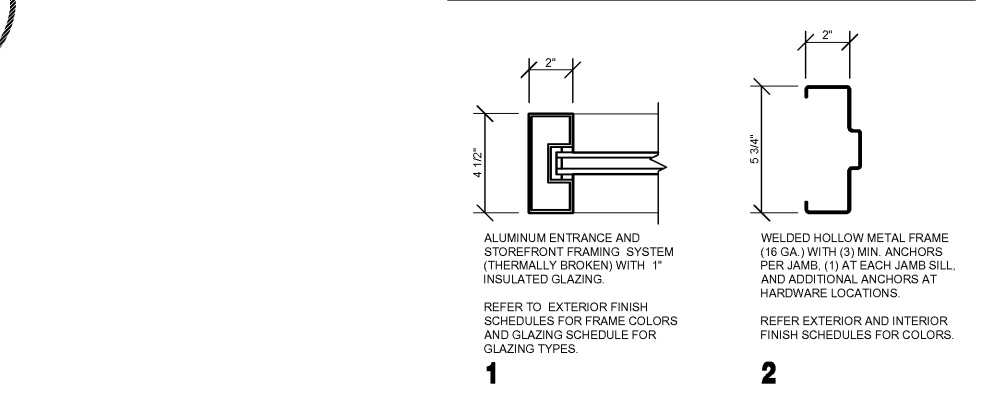
LOCKNET
100 COURCHELLE DRIVE
NICHOLASVILLE, KY 40356
CONTACT: PAM PEEL
PHONE: 800-857-4307 EXT 133
FAX: 659-881-5499
EMAIL: construction@locknet.com

SPECIAL NOTE:
UNLESS OTHERWISE INDICATED, KNOCK
DOWN (KD) TYPE DOOR FRAMES ARE NOT
PERMITTED.

DOOR TYPES
(SCALE 1/4" = 1'-0")



FRAME TYPES
(SCALE 3" = 1'-0")



DOOR HARDWARE SCHEDULE

HARDWARE NOTES:
1. ALL HARDWARE TO BE ADA AND ANSI COMPLIANT.
2. VERIFY COMPATIBILITY OF HARDWARE SPECIFIED. NOTIFY ARCHITECT OF INCOMPATIBILITY ISSUES PRIOR TO ORDERING AND INSTALLATION.

SET NO. 1 (DR. 1)
1 CYLINDER: 20-062 X 626 - "E" KEYWAY (REMOVABLE CORE).....SCHLAGE

(FOLLOWING REQUIRED HARDWARE FURNISHED WITH WINDOW FRAMING DOOR SYSTEM)
1 PAIR OFFSET PIVOTS: 195/188 X 626.....RIXON
1 DEADLOCK: MS1850S X 628.....ADAMS RITE
1 DEADLOCK LEVER: 4550 X 628.....ADAMS RITE
1 STRIKE: MS4002 X 628.....ADAMS RITE
1 SET PUSH/PULLS: 86-151 ULTRALINE W/ OFFSET PULL X 626.....EFCO
1 CLOSER: 4041-3077-187J-TB X 689 (ADJ. TO 8.5 LBS.).....LCN
1 SET PERIMETER GASKETS: POLYMERIC BULB X LENGTH REQUIRED.....PEMKO
1 SWEEP: 345AP X LENGTH REQUIRED.....PEMKO
1 THRESHOLD: 270A X LENGTH REQUIRED (OFFSET PIVOT COMPATIBLE) (ANSI & ADA COMPLIANT).....PEMKO

SET NO. 2 (DR. 2)
1 CONTINUOUS HINGE: 780-12HD X LENGTH REQUIRED X 628.....HAGER
1 CYLINDER: 20-057 X 626 - "E" KEYWAY (REMOVABLE CORE).....YALE
1 PROVIDE (2) SECURITY KEYS: (1) CORE KEY, (1) BITTED.....SCHLAGE
1 EXIT PANIC LOCK: 8300B X 486 X 689 (RTO3 X 630) (THROUGH SEX BOLT MOUNTING).....DORMA
1 CLOSER: 5300MLT X 689 (ADJ. TO 8.5 LBS.).....HAGER
1 SET PERIMETER GASKETS: QEBD-500 X LENGTH REQUIRED.....SCHLEGEL
1 LATCH GUARD: LG100Z/SF X 626 (STRAIGHT W/ PIN AND SEX BOLTS).....LATCHGUARD
1 DOOR LEVER: 698 - 190 X 626.....IVES
1 HINGE: 190S X 8" X 3/4" X 630.....HAGER
1 DOOR BOTTOM SEAL: 31321 X LENGTH REQUIRED.....GLOBAL
1 THRESHOLD: 31206 X LENGTH REQUIRED.....GLOBAL

SET NO. 3 (DR. 3)
REQUIRED HARDWARE FURNISHED WITH OVERHEAD DOOR SYSTEM (LOOKING FROM INSIDE ONLY)

SET NO. 4 (DR. 4)
3 HINGES: BB1279 X 4 1/2" X 4 1/2" X 626.....HAGER
1 OFFICE LOCK: AU5307LN X 626.....YALE
1 WALL BUMPER: 409 X 626.....ROCKWOOD

SET NO. 5 (DR. 5, 6)
3 HINGES: BB1279 X 4 1/2" X 4 1/2" X 626.....HAGER
1 PRIVACY LOCK: AU5302LN X 626.....YALE
1 WALL BUMPER: 409 X 626.....ROCKWOOD

SET NO. 6 (DR. 7)
3 HINGES: ECBB1100 X 4 1/2" X 4 1/2" X 626 X NRP.....HAGER
1 EXIT ONLY PANIC LOCK: 8300B X 486 X 689.....DORMA
1 CLOSER: 5300MLT X 689 (ADJ. TO 8.5 LBS.).....HAGER
(THROUGH SEX BOLT MOUNTING).....HAGER
1 SET PERIMETER GASKETS: QEBD-500 X LENGTH REQUIRED.....SCHLEGEL
1 LATCH GUARD: LG100Z/SF X 626 (STRAIGHT W/ PIN W/ SEX BOLTS).....LATCHGUARD
1 DOOR BOTTOM SEAL: 31321 X LENGTH REQUIRED.....GLOBAL
1 THRESHOLD: 31206 X LENGTH REQUIRED.....GLOBAL

SET NO. 7 (DR. 8)
(FOLLOWING REQUIRED HARDWARE FURNISHED WITH WINDOW FRAMING DOOR SYSTEM)
1 PAIR OFFSET PIVOTS: 195/188 X 626.....RIXON
1 SET PUSH/PULLS: 86-151 ULTRALINE W/ OFFSET PULL X 626.....EFCO
1 CLOSER: 4041-3077-187J-TB X 689 (ADJ. TO 8.5 LBS.).....LCN
1 SET PERIMETER GASKETS: POLYMERIC BULB X LENGTH REQUIRED.....PEMKO

GENERAL NOTES

- (A) REFER TO PROJECT MANUAL FOR ADDITIONAL REQUIREMENTS.
- (B) REFER TO BUILDING CODE SUMMARY FOR PROJECT STRUCTURAL DESIGN CRITERIA. DOOR FRAMING AND ANCHORING SYSTEMS SHALL BE DESIGNED BY MANUFACTURER TO CONFORM TO PERFORMANCE AND TESTING REQUIREMENTS SPECIFIED.
- (C) REFER TO FLOOR PLAN, ELEVATIONS, AND SECTIONS FOR ADDITIONAL REQUIREMENTS.
- (D) REFER TO EXTERIOR AND INTERIOR FINISH SCHEDULES FOR COLORS. PERIMETER SEALANT COLOR TO MATCH FRAME COLOR UNLESS OTHERWISE INDICATED.

STATE OF ALABAMA
REGISTERED ARCHITECT
ADAM KREHER
ARCHITECT LICENSE NUMBER
7842

PROJECT:
NEW O'REILLY AUTO PARTS STORE
11178 COUNTY LINE ROAD
MADISON, AL 35758

ADAM KREHER, ARCHITECT

116 N. 2ND AVENUE
OZARK, MO 65721
P (417) 581-8889
F (417) 581-9002

REPRODUCTION PROHIBITED WITHOUT THE EXPRESSED WRITTEN CONSENT OF THE DESIGN PROFESSIONAL.

© REILLY AUTO PARTS
CORPORATE OFFICES
233 SOUTH PATTERSON
SPRINGFIELD, MISSOURI 65802
(417) 882-2674 TELEPHONE

DRAWN BY: NO
CHECKED BY: KR
DATE: 05/10/2019
REVISION:
PROJECT NUMBER: 19098-MS3
SHEET NUMBER: A5.1