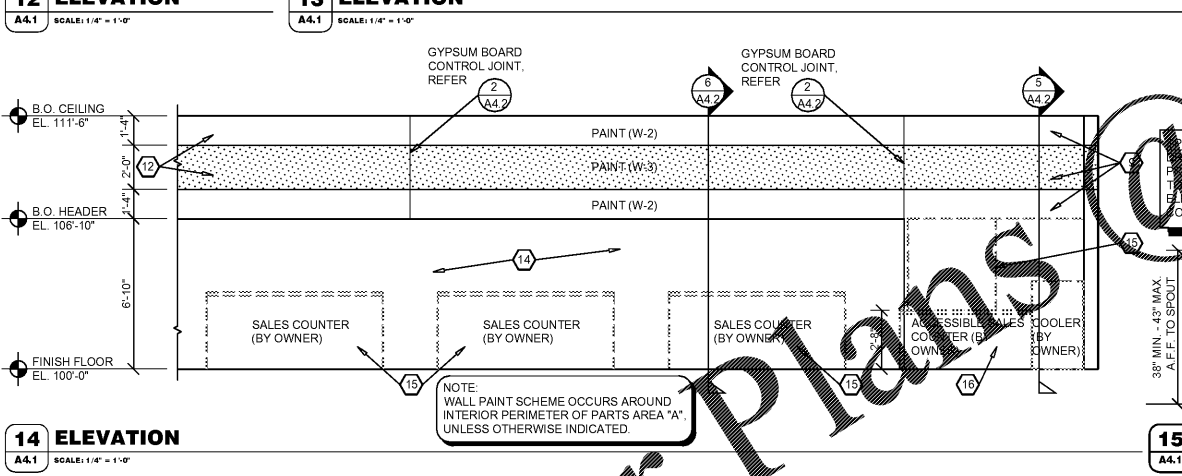
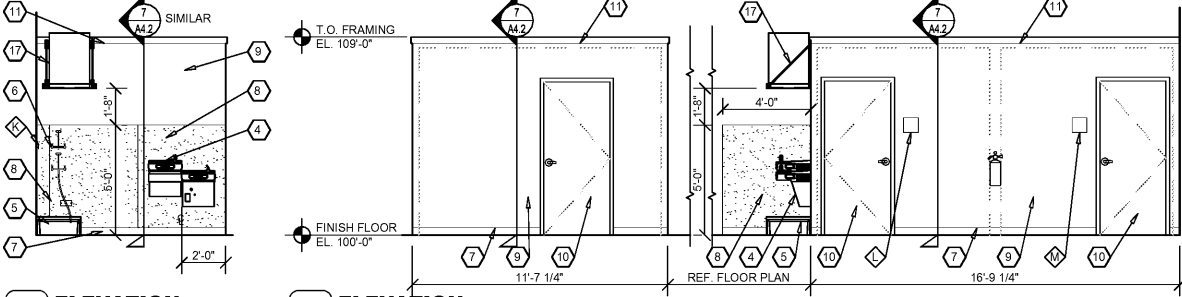
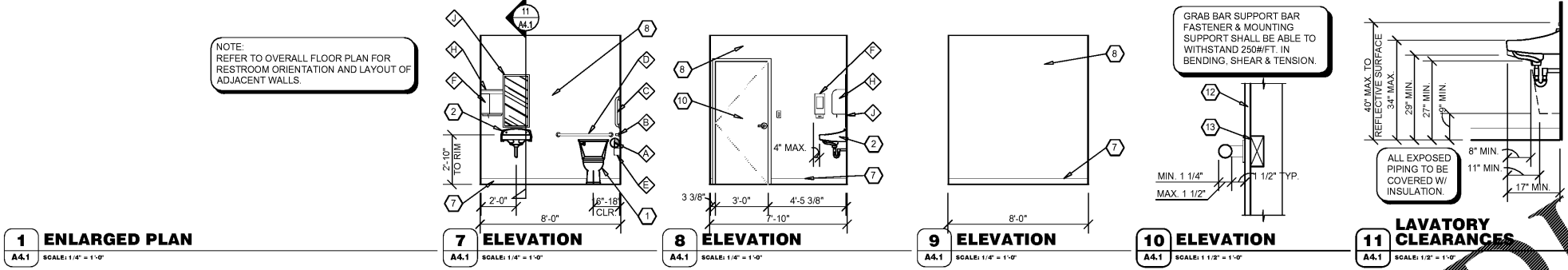


NOTE: REFER TO OVERALL FLOOR PLAN FOR RESTROOM ORIENTATION AND LAYOUT OF ADJACENT WALLS.



GENERAL NOTES

- A REFER TO PROJECT MANUAL FOR ADDITIONAL REQUIREMENTS.
- B LAYOUT DIMENSIONS OF PLUMBING FIXTURES AND ACCESSORIES TO FACE OF GYPSUM BOARD OR CENTER LINE OF FIXTURE. LAYOUT DIMENSIONS OF WALLS AND CEILINGS TO ROUGH FACE OF FRAMING, MASONRY, OR CENTER LINE OF STRUCTURE. ALL GYPSUM BOARD 5/8" THICK UNLESS OTHERWISE INDICATED AND DIMENSIONS NOT SHOWN FOR CLARITY.
- C REFER TO PLUMBING DRAWINGS FOR FIXTURE TYPES AND ADDITIONAL REQUIREMENTS. PROVIDE ADDITIONAL COLD FORM METAL FRAMING OR FIRE TREATED BLOCKING AS REQUIRED FOR PROPER SUPPORT.
- D REFER TO INTERIOR FINISH SCHEDULES FOR MATERIAL FINISH TYPES AND LOCATIONS.
- E ALL EXPOSED PIPING BELOW SINKS TO BE COVERED WITH INSULATION.

KEY NOTES

- 6 EYE WASH STATION. INSTALL WITH TOP AT 48" ABOVE FINISH FLOOR.
- 7 BASE. REFER TO FINISH SCHEDULE.
- 8 SANITARY WALL PANEL SYSTEM. REFER TO FINISH SCHEDULE. PROVIDE TRIM AND EDGE MOLDING AROUND PERIMETER. ATTACH TO SUBSTRATE AS REQUIRED.
- 9 PAINT. REFER TO FINISH SCHEDULE.
- 10 DOOR. REFER TO DOOR AND FINISH SCHEDULES.
- 11 WOOD TRIM, PAINT.
- 12 WALL CONSTRUCTION. REFER TO FLOOR PLAN FOR TYPES.
- 13 FIRE TREATED WOOD BLOCKING.
- 14 ALL OPENING TO BEYOND. REFER TO FLOOR PLAN.
- 15 OWNER FURNISHED AND INSTALLED FURNISHING, SHELVING, OR FIXTURE. FOR REFERENCE ONLY (N.I.C.).
- 16 OWNER FURNISHED AND INSTALLED ACCESSIBLE CUSTOMER SERVICE COUNTER TO COMPLY WITH ACCESSIBILITY REQUIREMENTS. FOR REFERENCE ONLY (N.I.C.).
- 17 WALL MOUNTED WATER HEATER AND SUPPORT PLATFORM. REFER TO PLUMBING DRAWINGS. PROVIDE FIRE TREATED BLOCKING OR ADDITIONAL COLD FORM FRAMING AS REQUIRED FOR INSTALLATION.

KEY NOTES

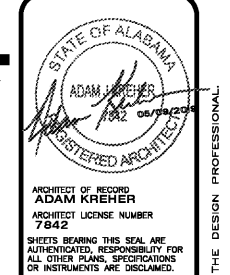
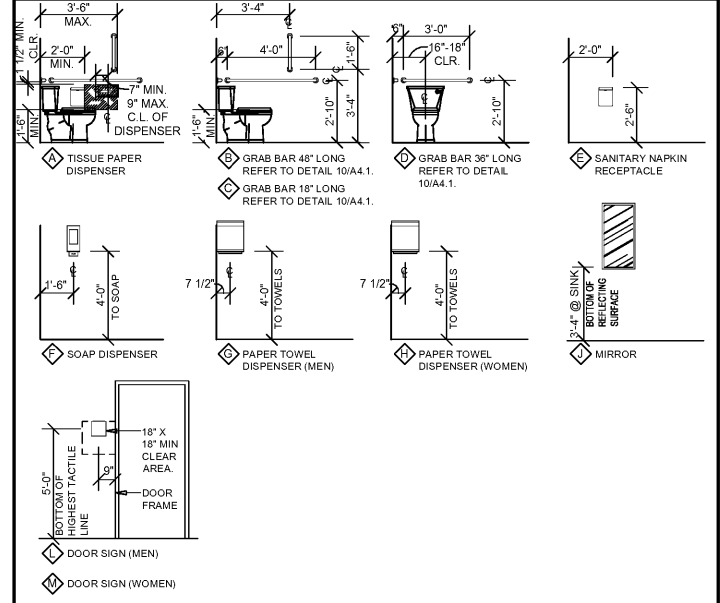
- 1 WATER CLOSET ACCESSIBLE FIXTURE HEIGHT TO TOP OF SEAT TO BE 17" MINIMUM AND 19" MAXIMUM A.F.F.. ACCESSIBLE FIXTURE FLUSH CONTROLS TO BE ON WIDE SIDE OF TOILET.
- 2 WALL MOUNTED JANITOR.
- 3 WALL MOUNTED URINAL. MOUNT RIM 1'-5" MAXIMUM ABOVE FINISH FLOOR.
- 4 HIGH / LOW DRINKING FOUNTAIN. REFER TO DETAIL 15/A4.1.
- 5 FLOOR MOUNTED JANITOR SINK.

ACCESSORY SCHEDULE

MK	DESCRIPTION	MANUFACTURER	SERIES / MODEL	MOUNTING LOCATION	ACCESSORY NOTES
4	TISSUE PAPER DISPENSER	GEORGIA PACIFIC	56783A	REFER PLANS, ELEVATIONS, LEGEND	NOTE 2
6	GRAB BAR	BOBRICK	B6806 x 48"	REFER PLANS, ELEVATIONS, LEGEND	
6	GRAB BAR	BOBRICK	B6806 x 18"	REFER PLANS, ELEVATIONS, LEGEND	
6	GRAB BAR	BOBRICK	B6806 x 36"	REFER PLANS, ELEVATIONS, LEGEND	
6	SANITARY NAPKIN RECEPTACLE	BOBRICK	B-270	REFER PLANS, ELEVATIONS, LEGEND	WOMEN'S RESTROOM ONLY
6	SOAP DISPENSER	GOJO	PRO 2000	REFER PLANS, ELEVATIONS, LEGEND	NOTE 2
6	PAPER TOWEL DISPENSER (MEN)	GEORGIA PACIFIC	59460A	REFER PLANS, ELEVATIONS, LEGEND	NOTE 2
6	PAPER TOWEL DISPENSER (WOMEN)	GEORGIA PACIFIC	59460A	REFER PLANS, ELEVATIONS, LEGEND	NOTE 2
6	MIRROR	BOBRICK	B-165-1836 18" W X 36" H	REFER PLANS, ELEVATIONS, LEGEND	
6	MOP HANGER	REFER TO PLUMBING DRAWINGS	REFER TO PLUMBING DRAWINGS	48" A.F.F. TO CENTER	
6	DOOR SIGN (MEN)	ROCKWOOD	BF667	REFER PLANS, ELEVATIONS, LEGEND	WHITE TEXT ON BLACK BACKGROUND
6	DOOR SIGN (WOMEN)	ROCKWOOD	BF668	REFER PLANS, ELEVATIONS, LEGEND	WHITE TEXT ON BLACK BACKGROUND

ACCESSORY GENERAL NOTES:
 1. CONTRACTOR TO PROVIDE FIRE TREATED WOOD BLOCKING FOR INSTALLATION OF TOILET ACCESSORIES, INCLUDING OWNER FURNISHED AND CONTRACTOR INSTALLED ACCESSORIES. COORDINATE REQUIREMENTS WITH OWNER.
 2. ACCESSORY OWNER FURNISHED AND CONTRACTOR INSTALLED. REFER TO SCOPE OF WORK SCHEDULE FOR ADDITIONAL REQUIREMENTS.

ACCESSORY MOUNTING LEGEND



ARCHITECT OF RECORD
ADAM KREHER
 ARCHITECT LICENSE NUMBER
 7842
 SHEETS BEARING THIS SEAL ARE AUTHENTICATED. RESPONSIBILITY FOR ALL OTHER PLANS, SPECIFICATIONS OR INSTRUMENTS ARE DISCLAIMED.

PROJECT:
NEW O'REILLY AUTO PARTS STORE
 11178 COUNTY LINE ROAD
 MADISON, AL 35758

O'Reilly AUTO PARTS
 CORPORATE OFFICES
 233 SOUTH PATTERSON
 SPRINGFIELD, MISSOURI 65802
 (417) 882-2674 TELEPHONE

DRAWN BY: NO
 CHECKED BY: KR
 DATE: 05/10/2019
 REVISION:
 PROJECT NUMBER: 19098-MS3
 SHEET NUMBER: **A4.1**

Order Plans

WWW.LDILLIEN.COM

REPRODUCTION PROHIBITED WITHOUT THE EXPRESSED WRITTEN CONSENT OF THE DESIGN PROFESSIONAL. COPYRIGHT 2016 - DESIGNS, DRAWINGS AND SPECIFICATIONS ARE INSTRUMENTS OF SERVICE AND ARE THE PROPERTY OF THE DESIGN PROFESSIONAL.