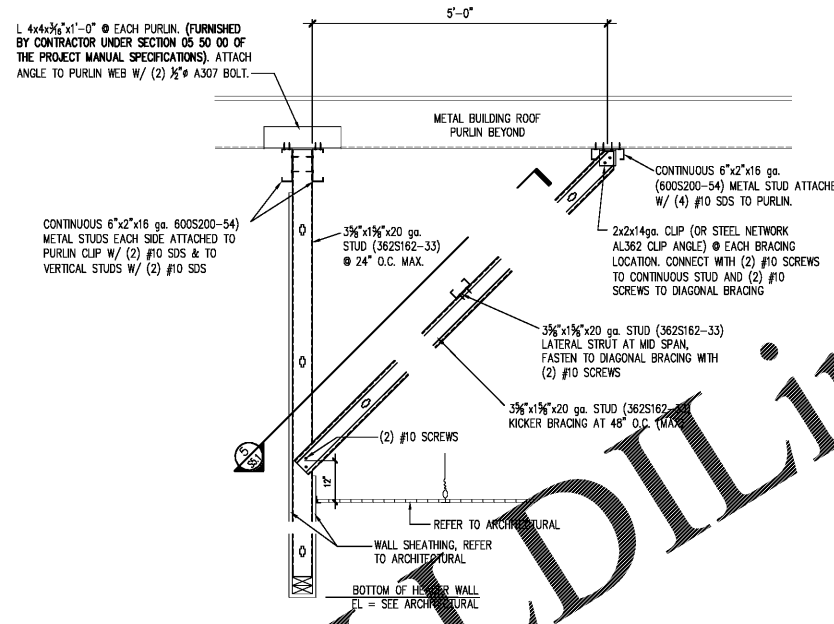
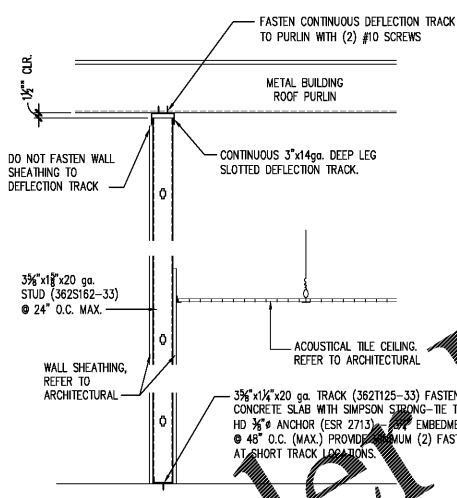


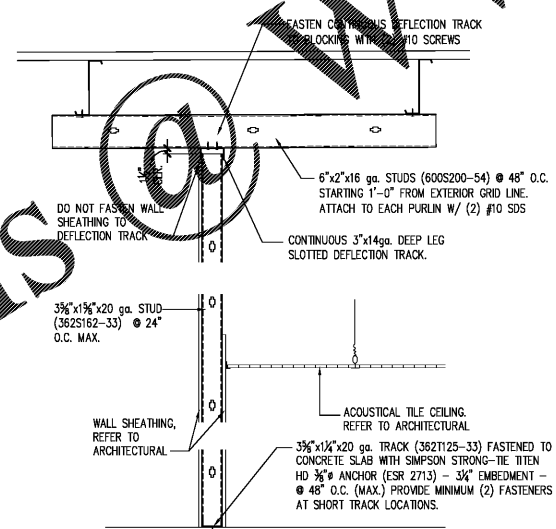
**1 SECTION**  
S5.1 SCALE: 3/4" = 1'-0"



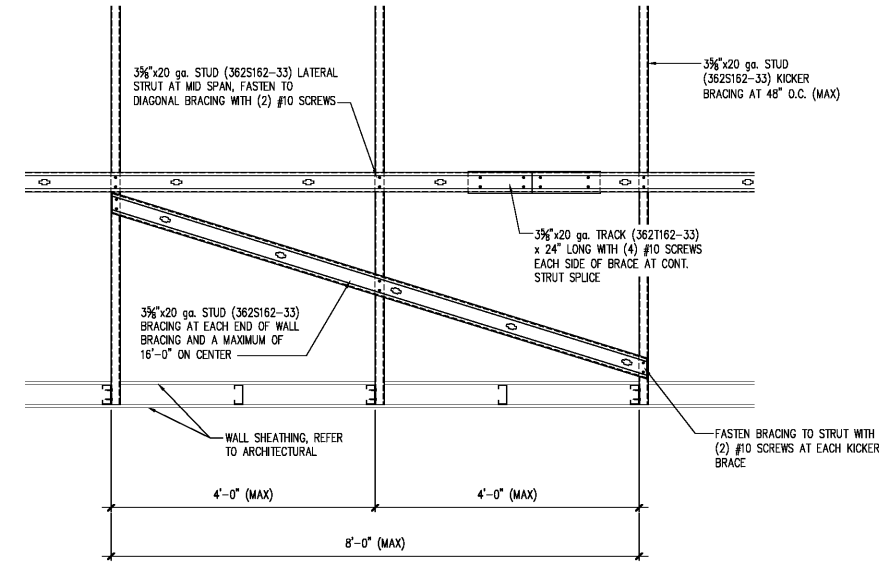
**2 SECTION**  
S5.1 SCALE: 3/4" = 1'-0"



**3 SECTION**  
S5.1 SCALE: 3/4" = 1'-0"



**4 SECTION**  
S5.1 SCALE: 3/4" = 1'-0"



**5 SECTION**  
S5.1 SCALE: 3/4" = 1'-0"

Order Plans @ WWW.ALTDILine.com



SHEETS BEARING THIS SEAL ARE AUTHENTICATED. RESPONSIBILITY FOR ALL OTHER PLANS, SPECIFICATIONS OR INSTRUMENTS ARE DISCLAIMED.

**JS Smith Consulting Engineers**  
Alabama State Certificate of Authorization CA-2283-E  
Arnon D. Smith P.E. 24301  
P.O. Box 8102 - JOPLIN, MISSOURI 64802  
PHONE: 417-624-0444 FAX: 417-624-0430



**PROJECT:**  
NEW O'REILLY AUTO PARTS STORE  
11178 COUNTY LINE ROAD  
MADISON, AL 35758

**FRAMING DETAILS**



**CORPORATE OFFICES**  
283 SOUTH PATTERSON  
SPRINGFIELD, MISSOURI 65802  
(417) 862-2674 TELEPHONE

DRAWN BY: **MW** CHECKED BY: **AS**

DATE: **05/10/2019**

PROJECT NUMBER: **19098-MS3**

SHEET NUMBER

**S5.1**

© COPYRIGHT 2019 - DESIGNS, DRAWINGS AND SPECIFICATIONS ARE INSTRUMENTS OF SERVICE AND ARE THE PROPERTY OF THE DESIGN PROFESSIONAL. REPRODUCTION PROHIBITED WITHOUT THE EXPRESSED WRITTEN CONSENT OF THE DESIGN PROFESSIONAL.