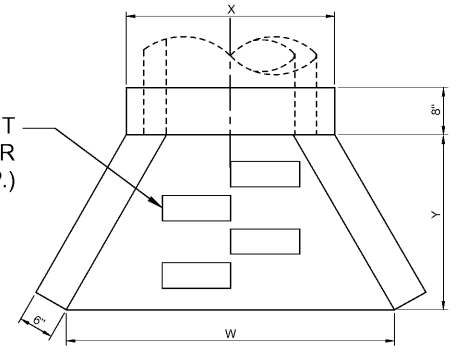
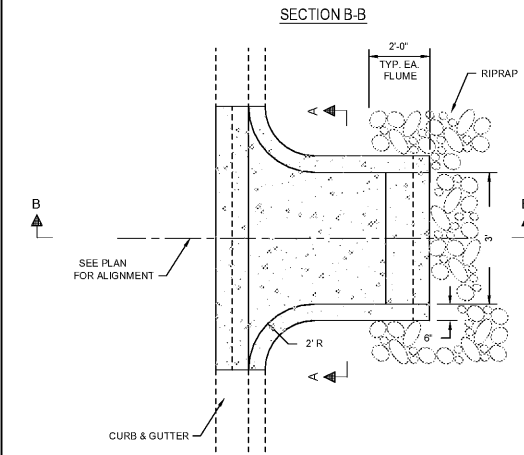
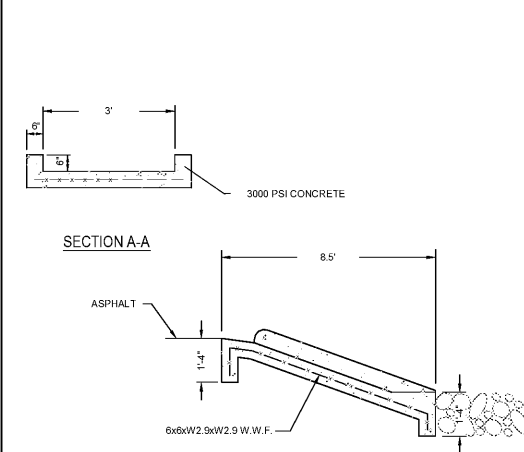


6"x18"x4" HEIGHT ENERGY DISSIPATOR (TYP.)

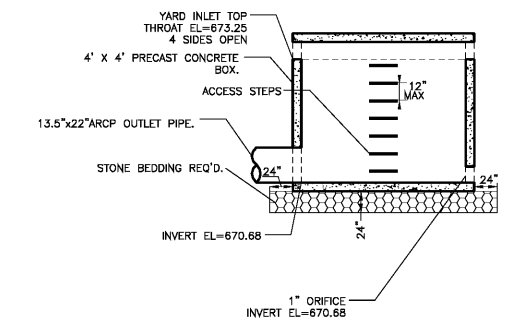


MODEL	PIPE DIA	H	W	X	Y	Z	WEIGHT (LBS)
DSA-12	12"	2'-6"	4'-3"	3'-0"	2'-0"	-	2,700
DSA-15	15"	2'-6"	4'-3"	3'-0"	2'-0"	-	2,700
DSA-18	18"	2'-6"	4'-3"	3'-0"	2'-0"	-	2,700
DSA-21	21"	3'-0"	5'-10"	3'-2"	3'-0"	-	4,300

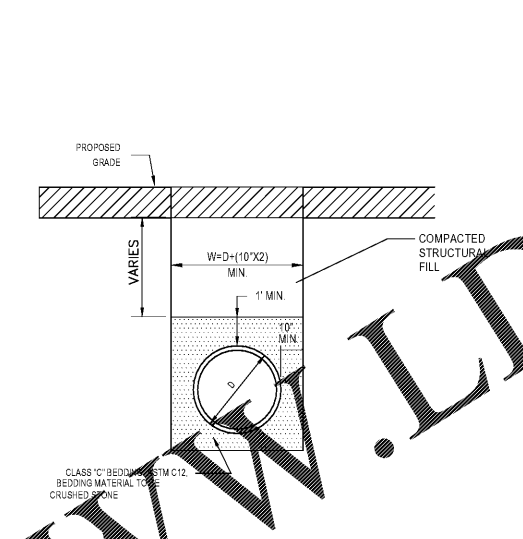
PRECAST DISSIPATOR HEADWALL N.T.S.



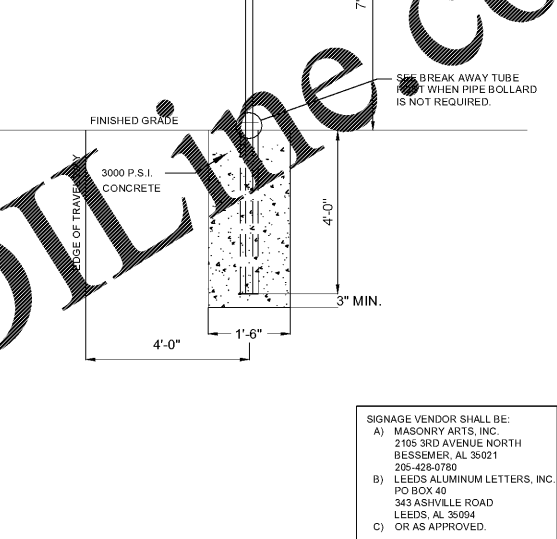
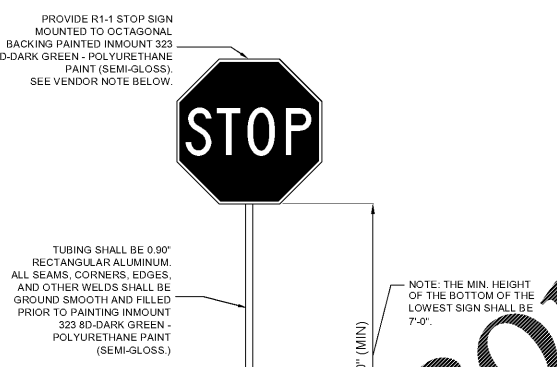
CONCRETE FLUME N.T.S.



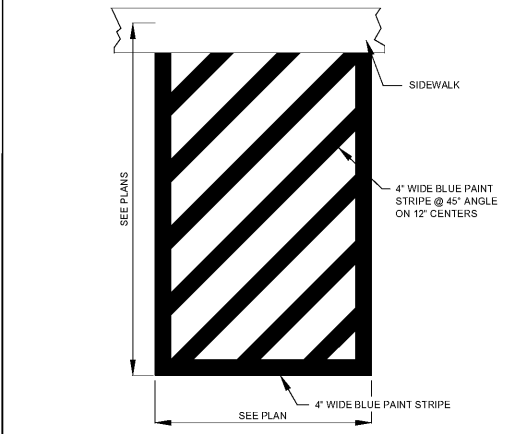
OUTLET CONTROL STRUCTURE DETAIL N.T.S.



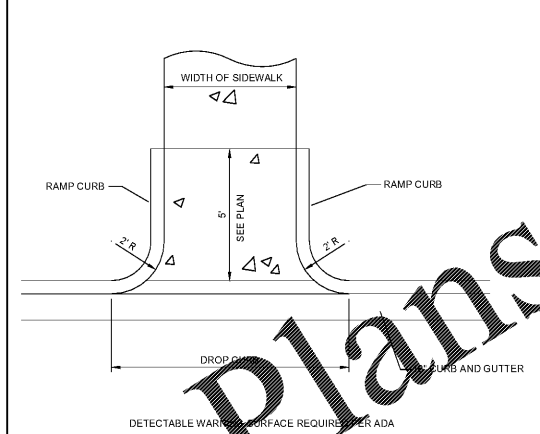
STORM PIPE BEDDING DETAIL N.T.S.



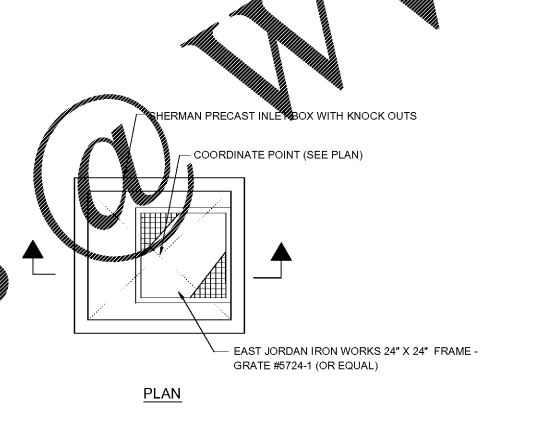
STOP SIGN DETAIL N.T.S.



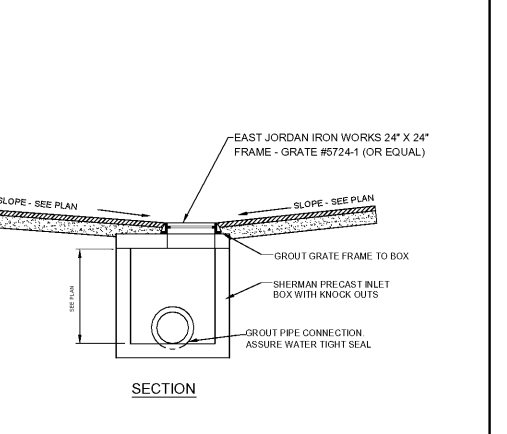
HANDICAP ACCESS AISLE N.T.S.



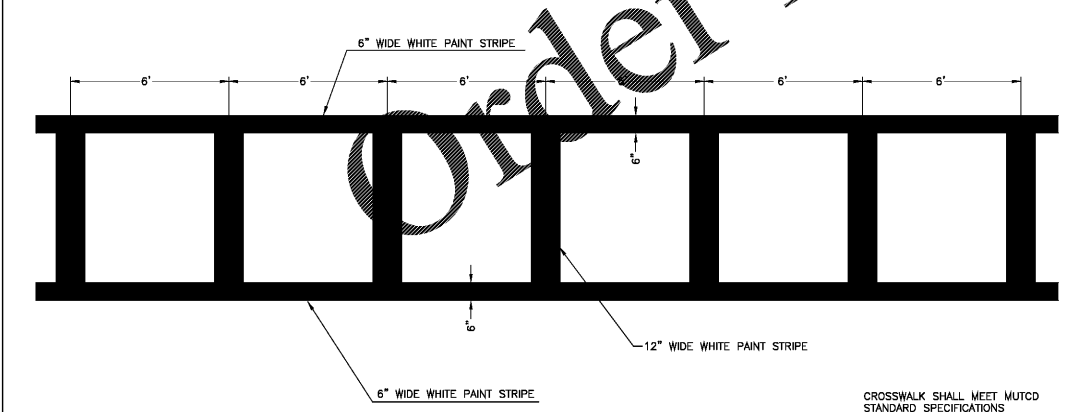
TYPE A ADA RAMP DETAIL N.T.S.



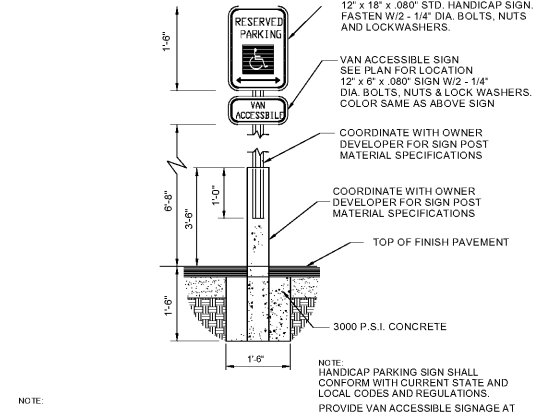
GRATE INLET DETAIL N.T.S.



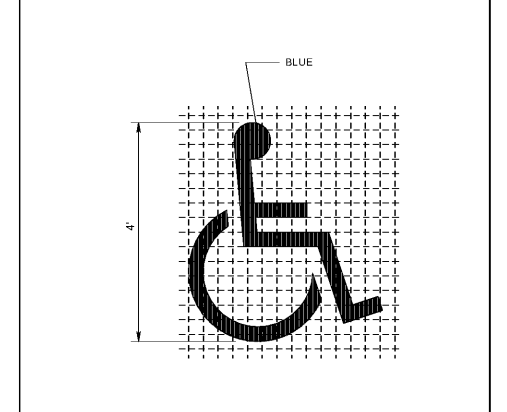
24" CONCRETE CURB AND GUTTER N.T.S.



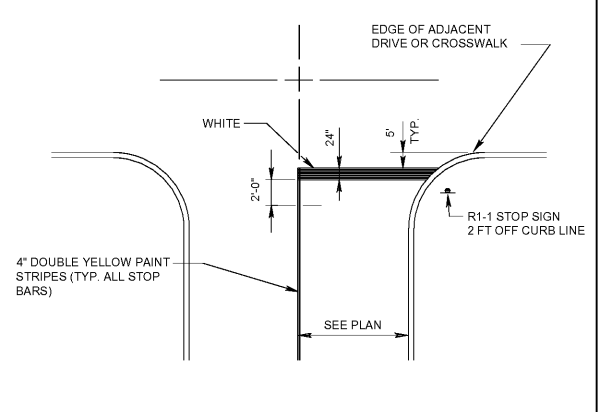
CROSSWALK DETAIL N.T.S.



HANDICAP PARKING SIGN DETAIL N.T.S.



HANDICAP PAINT SYMBOL LAYOUT N.T.S.

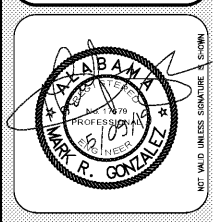


STOP BAR LAYOUT W/STOPSIGN N.T.S.

NO.	REVISIONS DESCRIPTION	DATE
1	REVISED PER OWNER	3-14-19

TITLE SECTIONS AND DETAILS  
**O'REILLY AUTO PARTS**  
 County Line Rd.  
 Madison, Alabama  
**AFFILIATED DEVELOPMENT GROUP**  
 Birmingham, AL  
 DATE 12-08-18  
 SCALE 1"=50'  
 DRAWN BY K.Stuber  
 CHECKED BY B.Harris

**GONZALEZ - STRENGTH & ASSOCIATES, INC.**  
 CIVIL ENGINEERING, LAND SURVEYING, PLANNING, TRAFFIC & TRANSPORTATION  
 2176 PARKWAY LAKE DRIVE  
 HOOVER, ALABAMA 35244  
 PHONE: (205) 942-2486  
 FAX: (205) 942-3033  
 www.Gonzalez-Strength.com  
 Copyright 2018



DWG NO. C6 - R1  
 PROJECT 18-0420

N:\2018 Projects\Affiliated Development Group\18-0420\_O'Reilly Auto Parts\_Madison AL\Engineering\Construction Documents\18-0420-05-0-19.dwg May 09, 2019 - 2:47 pm