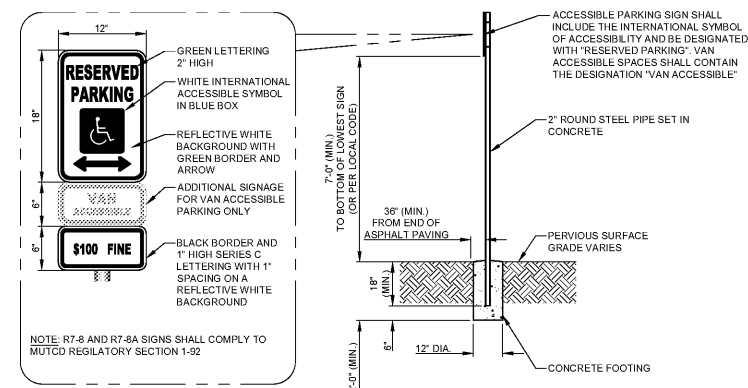
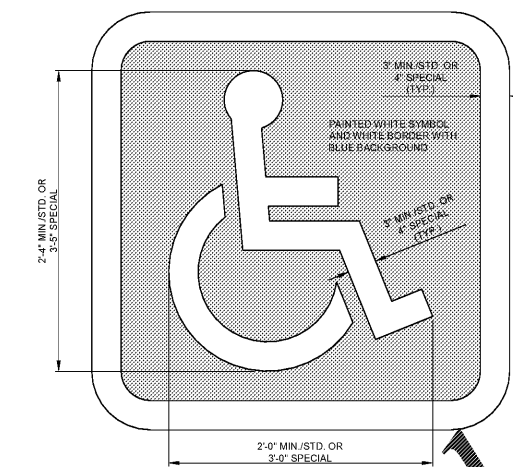


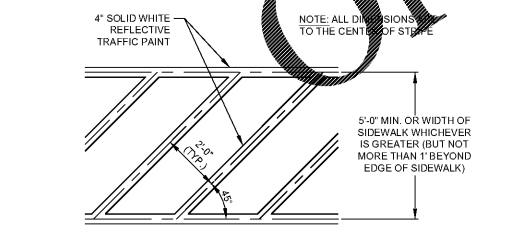
1 ACCESSIBLE PARKING  
C-6 NOT TO SCALE



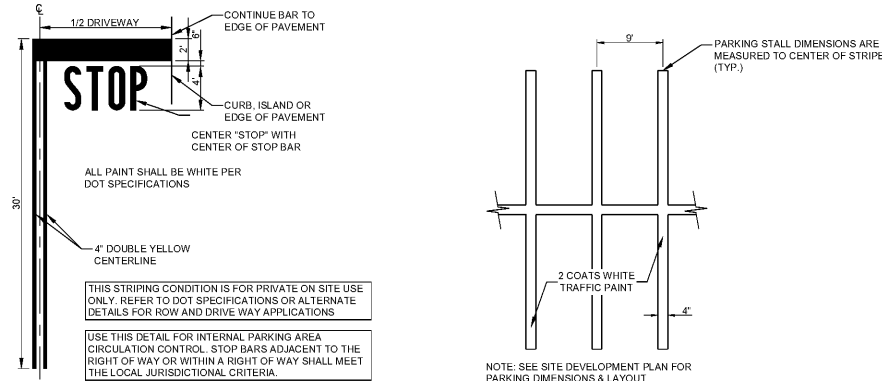
2 LANDSCAPE POLE MOUNTED ACCESSIBLE SIGNAGE  
C-6 NOT TO SCALE



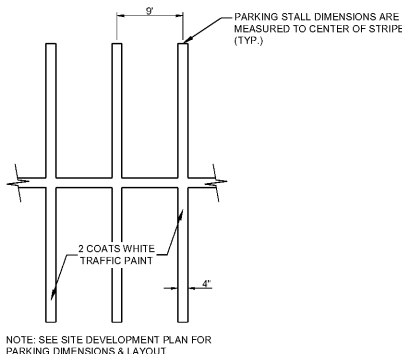
3 INTERNATIONAL SYMBOL OF ACCESSIBILITY PARKING SPACE MARKING  
C-6 NOT TO SCALE



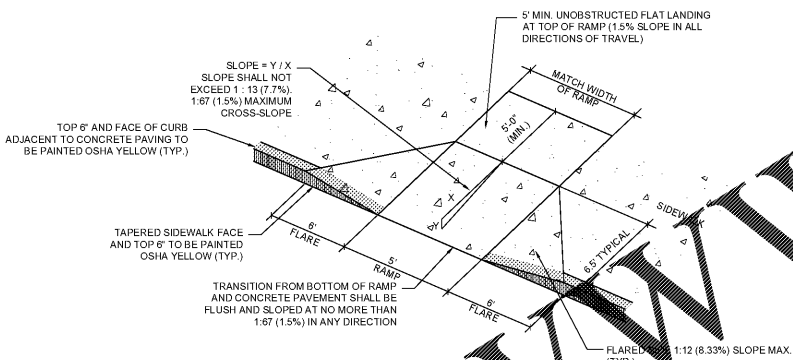
4 CROSSWALK STRIPING  
C-6 NOT TO SCALE



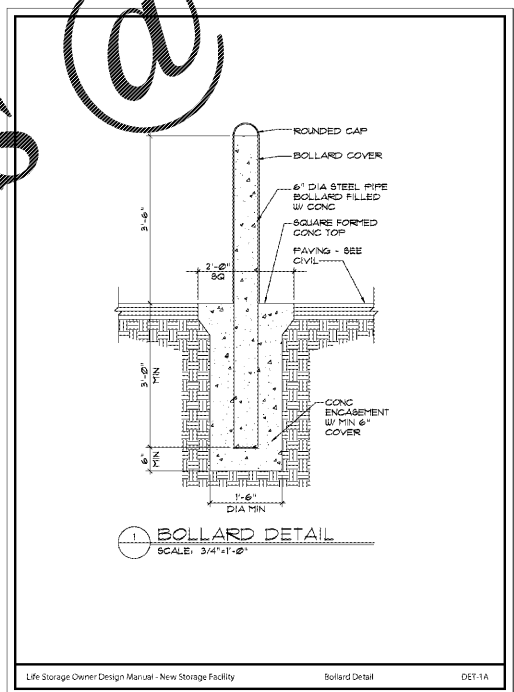
5 STOP BAR AND LABEL STRIPING  
C-6 NOT TO SCALE



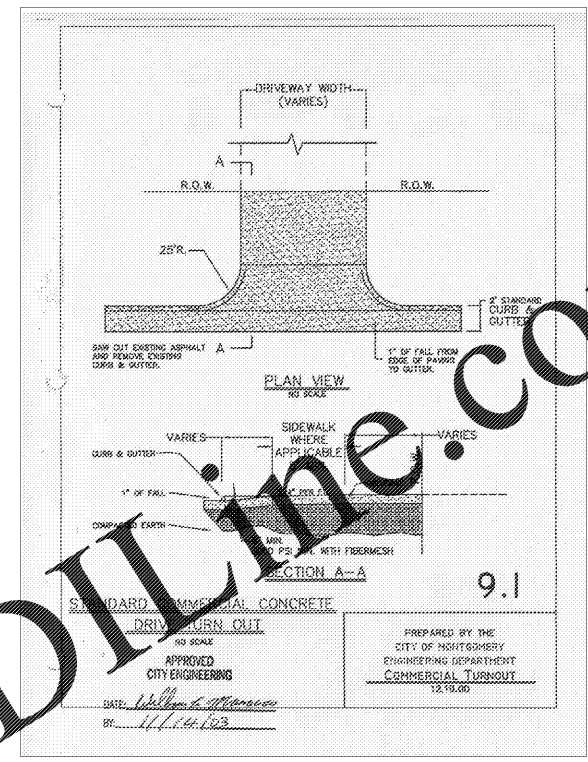
6 PAVEMENT STRIPING  
C-6 NOT TO SCALE



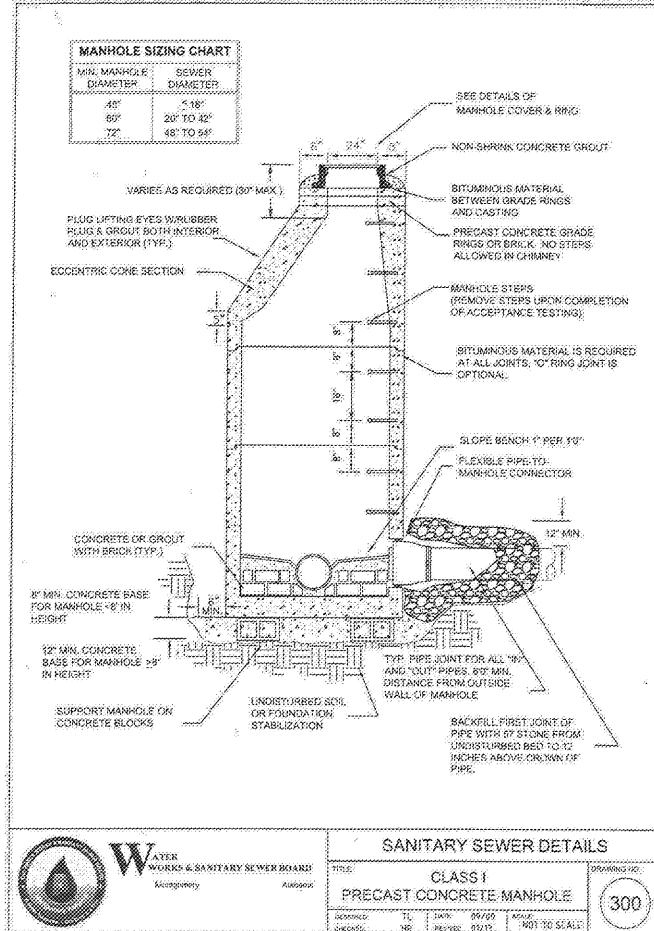
7 ACCESSIBLE CURB RAMP WITH FLARES  
C-6 NOT TO SCALE



8 BOLLARD  
C-6 NOT TO SCALE



9 COM COMMERCIAL DRIVEWAY TURNOUT  
C-6 NOT TO SCALE

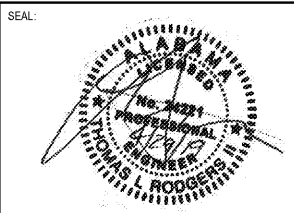


10 SANITARY SEWER MANHOLE  
C-6 NOT TO SCALE

ENGINEER:  
**FORESITE** group  
Foresite Group, Inc.  
2128 Moores Mill Rd.  
Suite C  
Auburn, AL 36830  
P | 334.887.6024  
F | 334.887.6024  
W | www.fg-inc.net

DEVELOPER:  
**LifeStorage**  
LIFE STORAGE  
6467 MAIN STREET  
WILLIAMSVILLE, NY 14221  
CONTACT: ROBERT FISHER

PROJECT:  
**LifeStorage**  
LIFE STORAGE #357  
115 SOUTH ARROWHEAD DRIVE  
MONTGOMERY, AL



REVISIONS

NO.	DATE	DESCRIPTION
1	04/22/2019	

PROJECT MANAGER: TLR  
DRAWING BY: JFG  
JURISDICTION: MONTGOMERY, AL  
DATE: 04/29/2019  
SCALE: AS SHOWN  
TITLE:

CONSTRUCTION DETAILS  
SHEET NUMBER: **C-6**  
COMMENTS: RELEASED FOR CONSTRUCTION  
JOB/FILE NUMBER: 1208.002