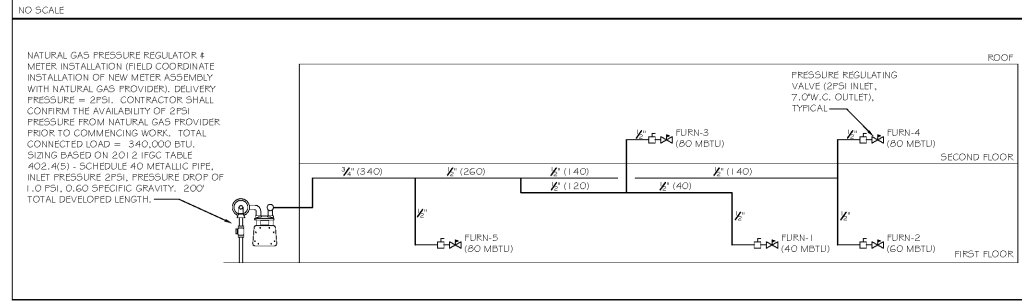
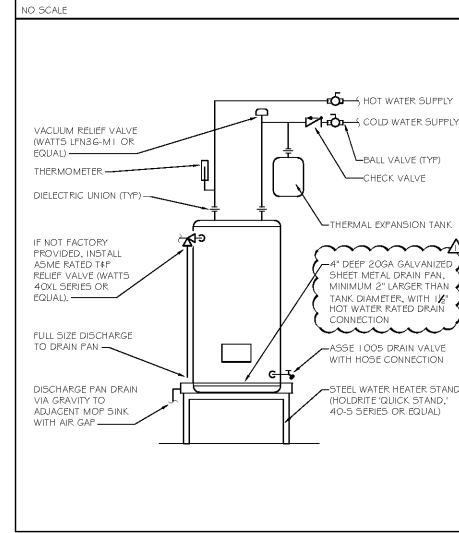


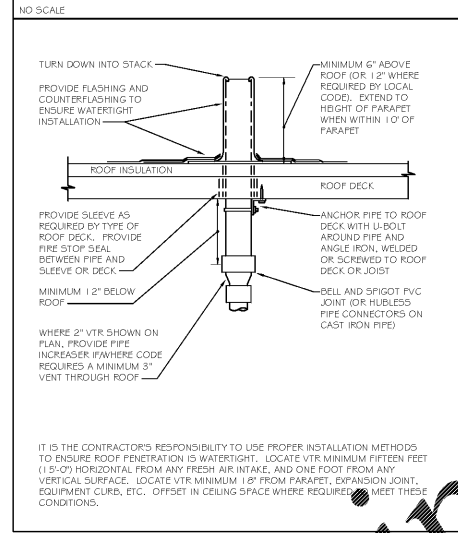
NATURAL GAS RISER DIAGRAM



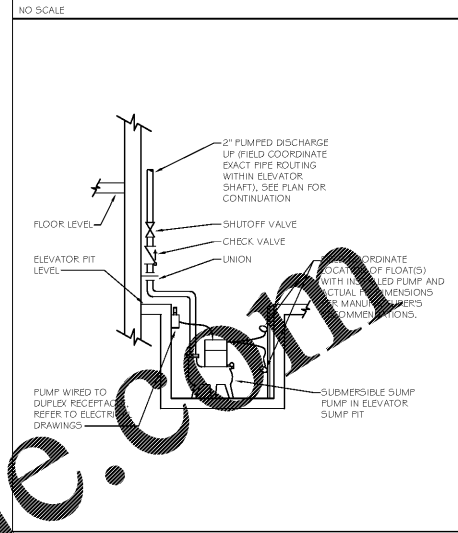
STAND MOUNTED ELECTRIC WATER HEATER



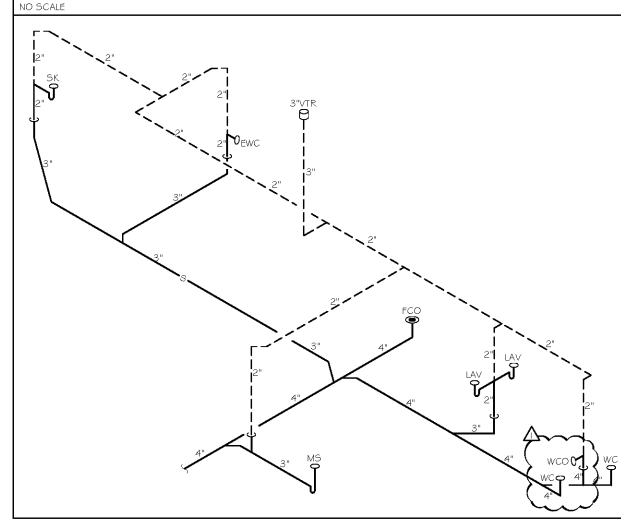
VENT THROUGH ROOF (VTR)



ELEVATOR SUMP PUMP



WASTE/VENT ISOMETRIC



PLUMBING FIXTURE SCHEDULE

MARK	DESCRIPTION	WASTE INCH	WASTE OUT	WATER RUNOUT		WATER CONN.		SPECIFICATION
				CW	HW	CW	HW	
L-1	LAVATORY (ADA) - WALL MOUNT	1 1/2"	2"	1/2"	1/2"	3/8"	3/8"	WALL MOUNT LAVATORY (BRASS) STAINLESS STEEL (TYPE 304) WITH CONCEALED ARM CARBIDE MODIFIED (URN 21 23 1). PROVIDE 0.5 GPM SINGLE HANDLE FAUCET WITH PLUSHER CONTROL (FINISH DELTA 5011-PROMPT). HANGING FRONT OFFSET WARDEN DRAIN (URN 2874-1) AND HANGER PLATED P-TRAP (URN 2870-1). CHROME PLATED BRASS ANGLE SUPPLY STOPS WITH FLEX SUPPLIES (MAGNIBRE 11 05). REGULATE OFFSET TRAP AND SUPPLY LINES (TUBES) TOWARD P-TRAP. PROVIDE AIRING VALVE TO TEMPER HOT WATER TO 110 DEGREES (BLOWER TANK ASSE 1070 LEAD FREE).
WC-1	WATER CLOSET (ADA) - TANK TYPE	4"	3"	2"	1/2"	1/2"	---	FLOOR MOUNTED, ELONGATED ADA TYPE TYPE WATER CLOSET (AMERICAN STANDARD) CLOSET AND HIGHT (TYPE 21 5AA-104) 11.65 GFI. WATER WIRELESS CURB. GRABBY FEEL FLUSH ACTION. TOP OF RIM AT 11.5\"/>

ELEVATOR SUMP PUMP SCHEDULE

MARK	CAPACITY	ELECTRICAL	BASIS	NOTES
SP-1	80 GPM @ 20' HEAD	1/2 HP	STANDARD NUMBER OR SO	UNIT SHALL PUMP EFFLUENT WITHOUT EXCESSIVE HYDRAULIC FRICTION TO SEWER. GAS SENSOR SHALL TRIGGER PUMPING AS NEEDED TO DEPARTURE OIL FROM WATER PRIOR TO ELEVATOR.

ELECTRIC WATER HEATER SCHEDULE

MARK	TANK CAPACITY	RECOVERY	SETPPOINT	ELECTRICAL	BASIS
WH-1	20 GAL	15 GPH @ 60° RISE	120°	3.0 KW	A.O. SMITH DEL 30

Order Plans @

www.LDOnline.com



THESE DRAWINGS AND DESIGNS ARE THE PROPERTY OF PROFICIENT ARCHITECTURE, INC. AND SHALL NOT BE REPRODUCED OR TRANSMITTED IN ANY FORM OR BY ANY MEANS, ELECTRONIC OR MECHANICAL, WITHOUT THE WRITTEN PERMISSION OF PROFICIENT ARCHITECTURE, INC. THESE DRAWINGS AND DESIGNS ARE NOT TO BE USED FOR ANY OTHER PROJECT WITHOUT THE WRITTEN PERMISSION OF PROFICIENT ARCHITECTURE, INC.

Life Storage #357
115 S. Arrowhead Dr.
Montgomery, AL 36117



ISSUE FOR CONSTRUCTION REVISIONS:

1	City Comments	5-6-2019
---	---------------	----------

PROJECT NUMBER: 201841
DATE: 4-8-2019

SHEET NUMBER: P0.2