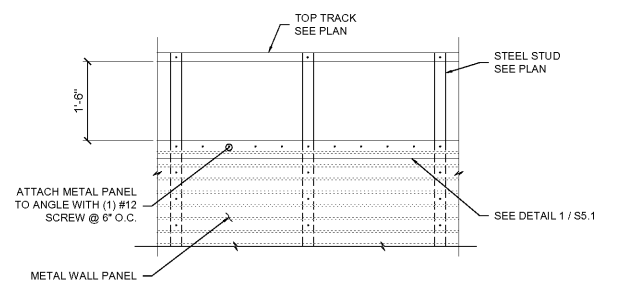
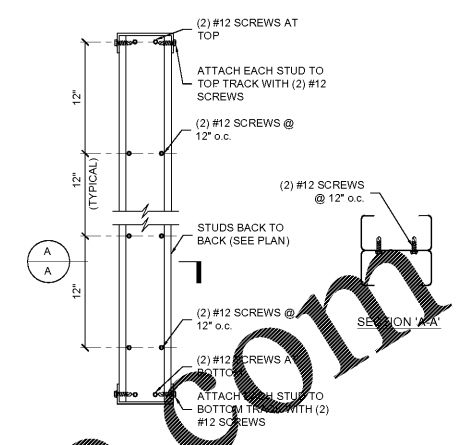


DETAIL 1 OF WALL PANEL FASTENING PATTERN AT INTERIOR WALL  
SCALE: 1/2" = 1'-0"

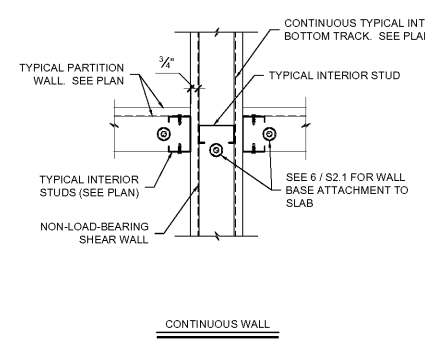
DETAIL 2 OF WALL PANEL FASTENING PATTERN AT EXTERIOR SHEAR WALL  
SCALE: 1/2" = 1'-0"



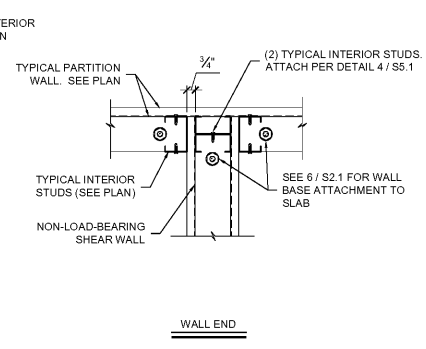
DETAIL 3 OF SHEAR WALL CONSTRUCTION  
SCALE: 1/2" = 1'-0"



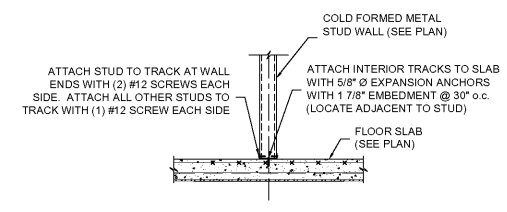
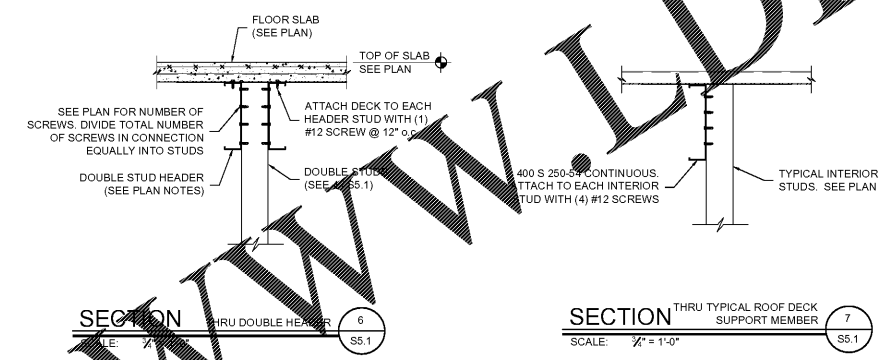
DETAIL 4 OF BACK TO BACK STUDS  
SCALE: NONE



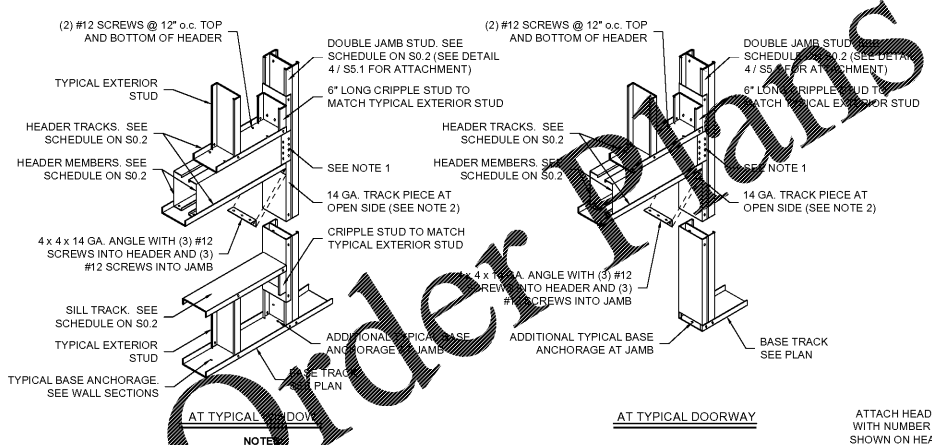
PLAN DETAIL 5 OF NON-LOAD-BEARING SHEAR WALL INTERSECTION WITH LOAD-BEARING WALL  
SCALE: 1/2" = 1'-0"



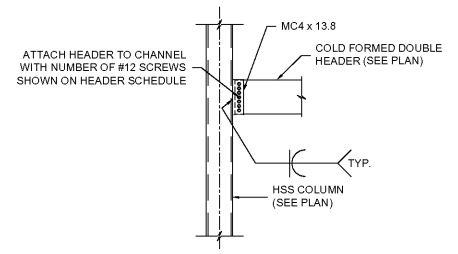
PLAN DETAIL 6 OF WALL END  
SCALE: 1/2" = 1'-0"



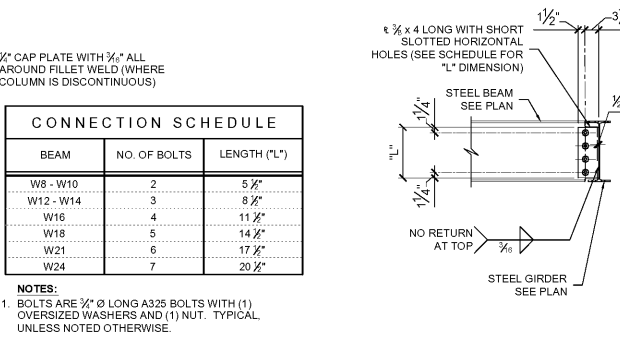
DETAIL 8 OF TYPICAL TRACK TO ELEVATED SLAB CONNECTION AT TYPICAL INTERIOR STUDS  
SCALE: 1/2" = 1'-0"



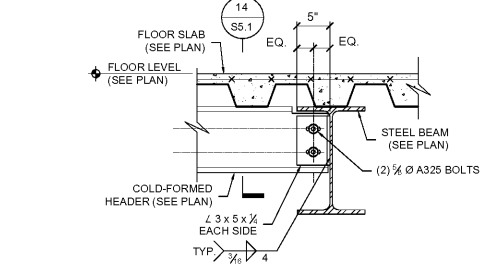
DETAIL 9 OF EXTERIOR HEADER CONNECTION  
SCALE: NONE



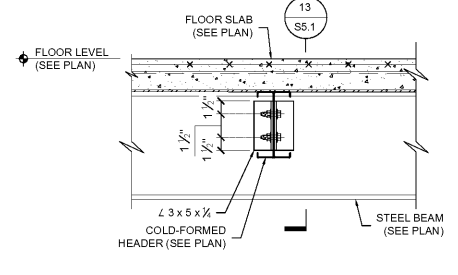
DETAIL 10 OF SINGLE PLATE CONNECTION AT COLUMN  
SCALE: NONE



DETAIL 11 OF SINGLE PLATE CONNECTION AT BEAM  
SCALE: NONE



SECTION 12 OF HEADER TO COLUMN CONNECTION  
SCALE: 3/4" = 1'-0"



SECTION 13 THRU HEADER TO BEAM CONNECTION  
SCALE: 3/4" = 1'-0"

CONNECTION SCHEDULE

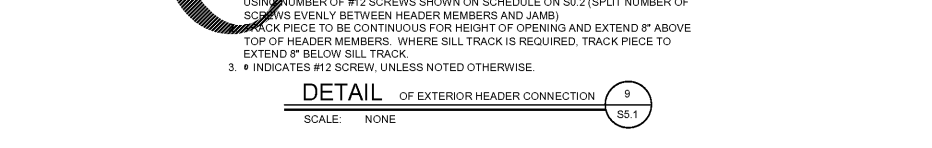
BEAM	NO. OF BOLTS	LENGTH ("L")
W8 - W10	2	5 1/2"
W12 - W14	3	8 1/2"
W16	4	11 1/2"
W18	5	14 1/2"
W21	6	17 1/2"
W24	7	20 1/2"

NOTES:  
1. BOLTS ARE 3/4" Ø LONG A325 BOLTS WITH (1) OVERSIZED WASHERS AND (1) NUT. TYPICAL UNLESS NOTED OTHERWISE.

CONNECTION SCHEDULE

BEAM	NO. OF BOLTS	LENGTH ("L")
W10	2	5 1/2"
W12 - 14	3	8 1/2"
W18	5	14 1/2"
W21	6	17 1/2"

NOTES:  
1. BOLTS ARE 3/4" Ø A325 BOLTS WITH (1) OVERSIZED WASHERS AND (1) NUT. TYPICAL UNLESS NOTED OTHERWISE.

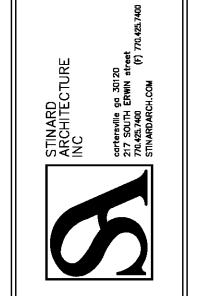


DETAIL 12 OF HEADER TO COLUMN CONNECTION  
SCALE: 3/4" = 1'-0"

SECTION 12 OF HEADER TO COLUMN CONNECTION  
SCALE: 3/4" = 1'-0"

SECTION 13 THRU HEADER TO BEAM CONNECTION  
SCALE: 3/4" = 1'-0"

Life Storage #357  
115 S. Arrowhead Dr.  
Montgomery, AL 36117



ISSUE FOR CONSTRUCTION REVISIONS:

NO.	DATE	DESCRIPTION

PROJECT NUMBER: 201841  
DATE: 4-8-19

SHEET NUMBER: S5.1

bennett&pless  
Experience Structural Expertise  
Atlanta, Boca Raton, Charlotte, Chattanooga, Orlando  
1964 - 2019 Celebrating 55 Years of Structural Excellence  
47 Perimeter Center East, Suite 500  
Atlanta, Georgia 30346  
Tel. 678 990 8700 Fax. 678 990 8701  
Copyright 2019 - Bennett & Pless, Inc.  
All Rights Reserved  
B & P Job Number 18169