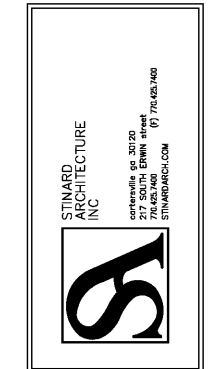


THESE DRAWINGS AND DESIGNS ARE THE PROPERTY OF STINARD ARCHITECTURE, INC. AND SHALL NOT BE REPRODUCED, COPIED, OR TRANSMITTED IN ANY FORM OR BY ANY MEANS, ELECTRONIC OR MECHANICAL, WITHOUT THE WRITTEN PERMISSION OF STINARD ARCHITECTURE, INC. THESE DRAWINGS ARE PREPARED FOR USE ON THIS SPECIFIC PROJECT AND ARE NOT SUITABLE FOR USE ON ANY OTHER PROJECT. ALL DIMENSIONS MUST BE VERIFIED BY THE CONTRACTOR AND DISCREPANCIES BEFORE PROCEEDING WITH CONSTRUCTION. UNLESS OTHERWISE INDICATED, DO NOT SCALE DRAWINGS.

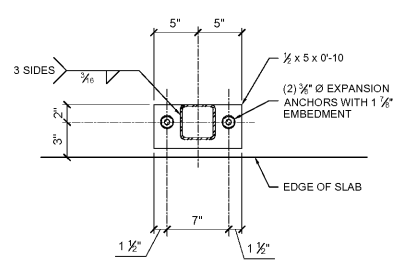
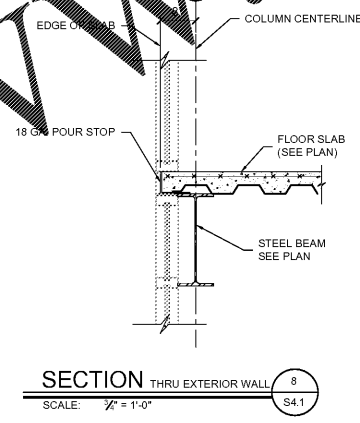
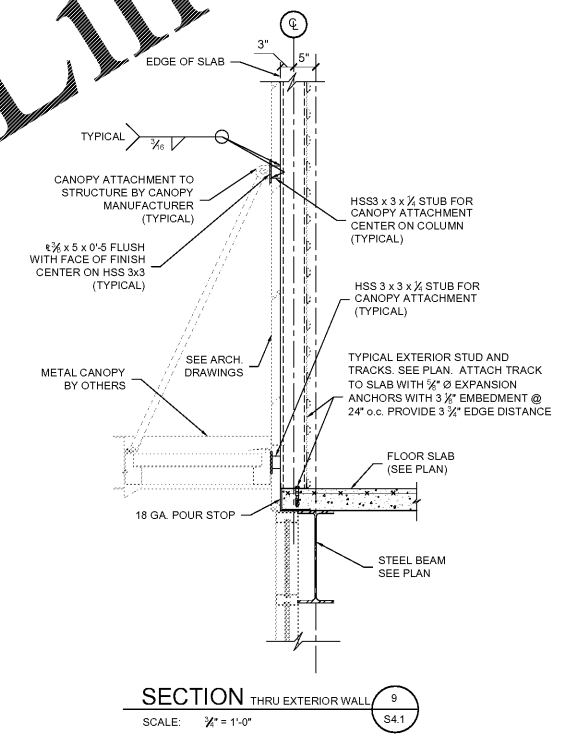
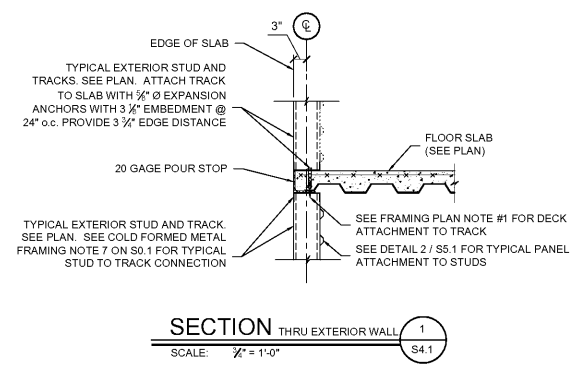
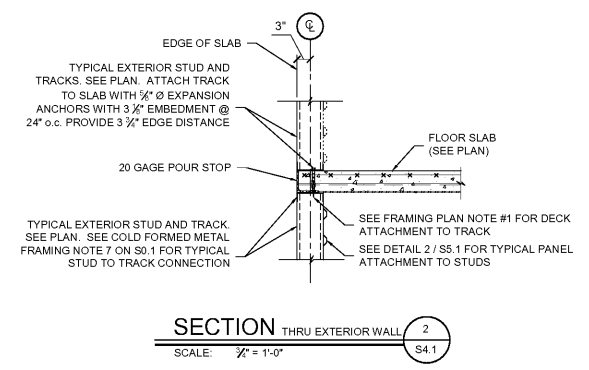
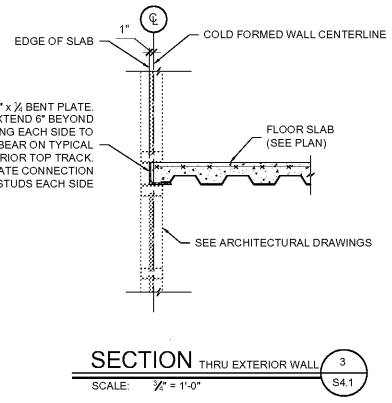
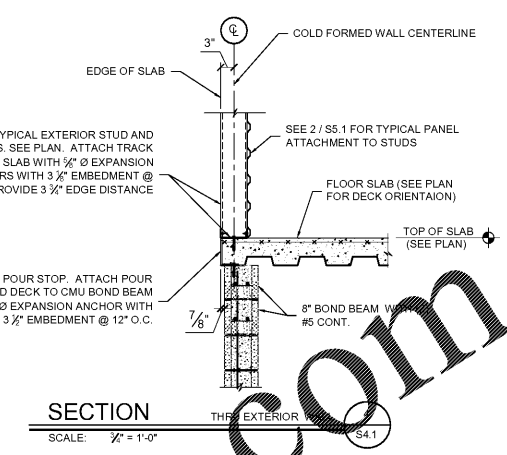
Life Storage #357
115 S. Arrowhead Dr.
Montgomery, AL 36117



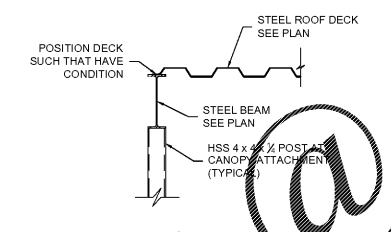
ISSUE FOR CONSTRUCTION REVISIONS

PROJECT NUMBER: 201841
DATE: 4-8-19

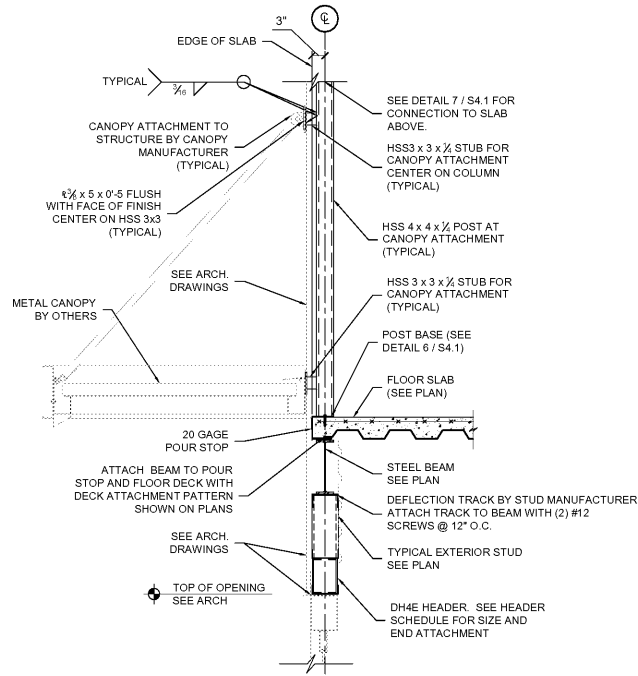
SHEET NUMBER: S4.1



DETAIL OF BOTTOM OF POST 6
SCALE: 1/2" = 1'-0" S4.1



SECTION THRU TOP OF POST 7
SCALE: 1/2" = 1'-0" S4.1



SECTION THRU EXTERIOR WALL 5
SCALE: 1/2" = 1'-0" S4.1

Order Plans @

WWW.LDILine.com

bennett&pless
Experience Structural Expertise
Atlanta, Boca Raton, Charlotte, Chattanooga, Orlando
1964 - 2019 Celebrating 55 Years of Structural Excellence
47 Perimeter Center East, Suite 500
Atlanta, Georgia 30346
Tel. 678 990 8700 Fax. 678 990 8701
Copyright 2019 - Bennett & Pless, Inc.
All Rights Reserved
B & P Job Number 18169