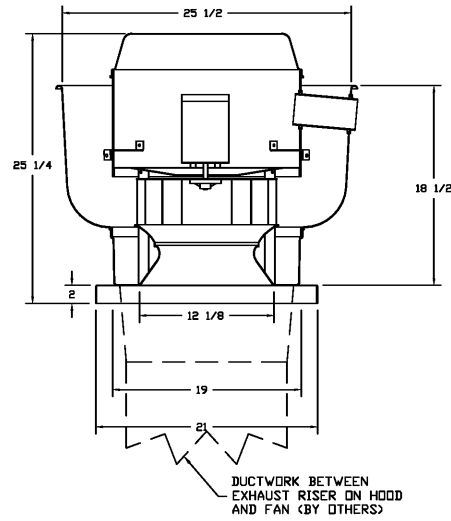


FAN #5 DR33HFA - EXHAUST FAN (DISH)



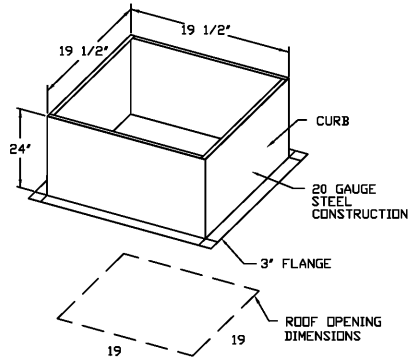
FEATURES:

- DIRECT DRIVE CONSTRUCTION (NO BELTS/PULLEYS)
- ROOF MOUNTED FANS
- RESTAURANT MODEL
- UL705
- VARIABLE SPEED CONTROL
- INTERNAL WIRING
- WEATHERPROOF DISCONNECT
- THERMAL OVERLOAD PROTECTION (SINGLE PHASE)
- HIGH HEAT OPERATION 300°F (149°C)

NORMAL TEMPERATURE TEST
EXHAUST FAN MUST OPERATE CONTINUOUSLY WHILE EXHAUSTING AIR AT 300°F (149°C) UNTIL ALL FAN PARTS HAVE REACHED THERMAL EQUILIBRIUM, AND WITHOUT ANY DETERIORATING EFFECTS TO THE FAN WHICH WOULD CAUSE UNSAFE OPERATION.

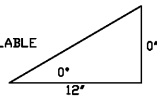
OPTIONS

ECM WIRING PACKAGE-EXHAUST - MANUAL OR 0-10VDC REFERENCE SPEED CONTROL (NDEC MOTOR).

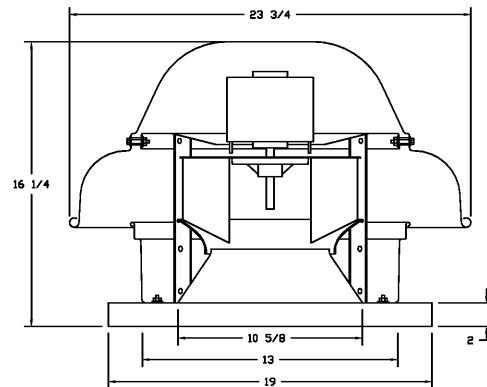


PITCHED CURBS ARE AVAILABLE FOR PITCHED ROOFS.

SPECIFY PITCH:
EXAMPLE: 7/12 PITCH = 30° SLOPE



FAN #6 DR12HFA - EXHAUST FAN (TOILET)

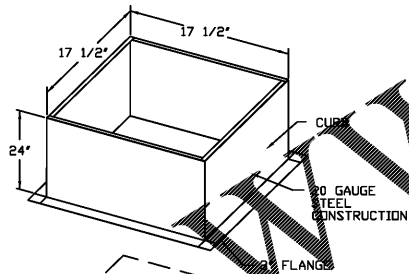


FEATURES:

- DIRECT DRIVE CONSTRUCTION (NO BELTS/PULLEYS)
- ROOF MOUNTED FANS
- UL705
- SAFETY DISCONNECT
- STANDARD BIRD SCREEN
- SPEED CONTROL

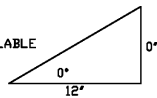
OPTIONS

ECM WIRING PACKAGE - MANUAL OR 0-10VDC REFERENCE SPEED CONTROL (TELCO MOTOR), CCW ROTATION, 1 1/2\"/>

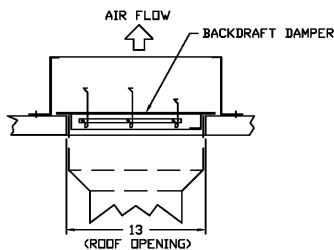


PITCHED CURBS ARE AVAILABLE FOR PITCHED ROOFS.

SPECIFY PITCH:
EXAMPLE: 7/12 PITCH = 30° SLOPE



BACKDRAFT DAMPER INSTALLATION



Order Plans

WWW.LDILine.com

REVISIONS	
DESCRIPTION	DATE

CAPTIVE

Dallas Office

1901 Royal Lane Suite 101, DALLAS, TX, 75229 PHONE: (214) 752-9899 FAX: (214) 220-3669 EMAIL: reg45@captiveline.com

IHOP Owensboro KY
DALLAS, TX, 75229

DATE: 4/1/2019

DWG.#:
3767192

DRAWN BY: CJP-REG45

SCALE:
3/4" = 1'-0"

MASTER DRAWING

SHEET NO.
6