

**EXHAUST FAN INFORMATION - Job#3767192**

FAN UNIT NO.	TAG	FAN UNIT MODEL #	CFM	ESP.	RPM	H.P.	B.H.P.	Ø	VOLT	FLA	DISCHARGE VELOCITY	WEIGHT (LBS.)	SDNES
1	Left	DUI80HFA	1950	1.200	1061	1.000	0.6040	3	208	3.8	450 FPM	148	12.4
2	Middle	DUI80HFA	1950	1.200	1061	1.000	0.6040	3	208	3.8	450 FPM	148	12.4
3	Right	DUI80HFA	1950	1.200	1061	1.000	0.6040	3	208	3.8	450 FPM	148	12.4
4	Fryer	DJ33HFA	600	0.800	1415	0.333	0.1900	3	208	1.3	297 FPM	75	13.4
5	Dish	DJ33HFA	900	0.350	1368	0.333	0.1710	1	115	4.4	446 FPM	63	12.6
6	Toilet	DR12HFA	300	0.500	1282	0.250	0.0920	1	115	2.9		49	7.1

**MUA FAN INFORMATION - Job#3767192**

FAN UNIT NO.	TAG	FAN UNIT MODEL #	BLOWER	HOUSING	MIN CFM	DESIGN CFM	ESP.	RPM	H.P.	B.H.P.	Ø	VOLT	FLA	WEIGHT (LBS.)	SDNES	BURNER EFFICIENCY(%)
7	Make-up Air	A2-D.500-20D	20MF-2-MDD	A2-D.500	2500	5000	0.500	1808	7.500	3.4090	3	208	21.1	861	20	92

**GAS FIRED MAKE-UP AIR UNIT(S)**

FAN UNIT NO.	TAG	INPUT BTUs	OUTPUT BTUs	TEMP. RISE	REQUIRED INPUT GAS PRESSURE	GAS TYPE
7	Make-up Air	369783	340200	63 deg F	7 in. w.c. - 14 in. w.c.	Natural

**FAN OPTIONS**

FAN UNIT NO.	TAG	OPTION (Qty. - Descr.)
1	Left	1 - Grease Box
2	Middle	1 - Grease Box
3	Right	1 - Grease Box
4	Fryer	1 - Grease Box
5	Dish	1 - ECM Wiring Package-Exhaust - Manual or 0-10VDC Reference Speed Control (NIDEC Motor)
6	Toilet	1 - ECM Wiring Package - Manual or 0-10VDC Reference Speed Control (TELCO Motor), CCW Rotation 1 - I 12-BDD Damper
7	Make-up Air	1 - Motorized Backdraft Damper for A2-D Housing 1 - Low Fire Start 1 - Inlet Pressure Gauge, 0-35" 1 - Manifold Pressure Gauge, -5 to 15" wc 1 - Separate 120V Wiring Package (Required and used only for DCV or Prewire with VFD) - Three Phase Only 1 - Unit Mounted VFD For Use with ECPM03

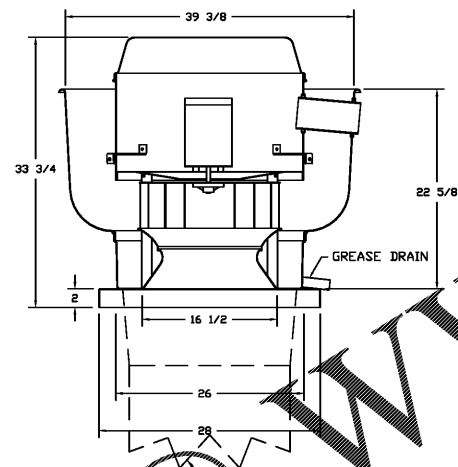
**FAN ACCESSORIES**

FAN UNIT NO.	TAG	EXHAUST				SUPPLY		
		GREASE CUP	GRAVITY DAMPER	WALL MOUNT	SIDE DISCHARGE	GRAVITY DAMPER	MOTORIZED DAMPER	WALL MOUNT
1	Left	YES						
2	Middle	YES						
3	Right	YES						
4	Fryer	YES						
5	Dish							
6	Toilet		YES					
7	Make-up Air						YES	

**CURB ASSEMBLIES**

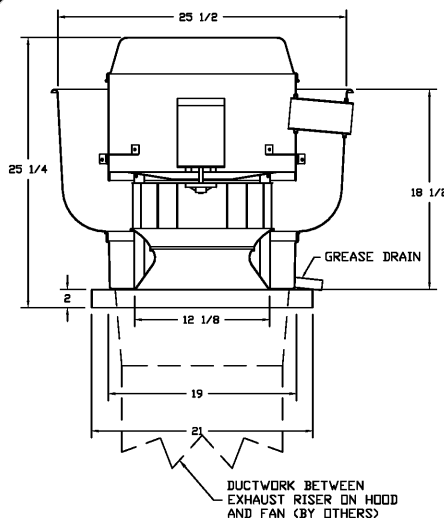
NO.	DN FAN	TAG	WEIGHT	ITEM	SIZE
1	# 1	Left	34 LBS	Curb	26.500"W x 26.500"L x 24.000"H Vented Hinged
2	# 2	Middle	34 LBS	Curb	26.500"W x 26.500"L x 24.000"H Vented Hinged
3	# 3	Right	34 LBS	Curb	26.500"W x 26.500"L x 24.000"H Vented Hinged
4	# 4	Fryer	34 LBS	Curb	19.500"W x 19.500"L x 24.000"H Vented Hinged
5	# 5	Dish	30 LBS	Curb	19.500"W x 19.500"L x 24.000"H
6	# 6	Toilet	31 LBS	Curb	17.500"W x 17.500"L x 24.000"H
7	# 7	Make-up Air	107 LBS	Curb	31.000"W x 79.000"L x 20.000"H Insulated

FANS #1 (LEFT), #2 (MIDDLE), #3 (RIGHT) - DUI80HFA EXHAUST FAN



DUCTWORK BETWEEN EXHAUST RISER ON HOOD AND FAN (BY OTHERS)

FAN #4 (DJ33HFA - EXHAUST FAN FRYER)



DUCTWORK BETWEEN EXHAUST RISER ON HOOD AND FAN (BY OTHERS)

**FEATURES:**

- DIRECT DRIVE CONSTRUCTION (NO BELTS/PULLEYS)
- ROOF MOUNTED FANS
- RESTAURANT MODEL
- UL705 AND UL762 AND ULC-S645
- VARIABLE SPEED CONTROL
- INTERNAL WIRING
- WEATHERPROOF DISCONNECT
- THERMAL OVERLOAD PROTECTION (SINGLE PHASE)
- HIGH HEAT OPERATION 300°F (149°C)
- GREASE CLASSIFICATION TESTING

**NORMAL TEMPERATURE TEST**  
EXHAUST FAN MUST OPERATE CONTINUOUSLY WHILE EXHAUSTING AIR AT 300°F (149°C) UNTIL ALL FAN PARTS HAVE REACHED THERMAL EQUILIBRIUM, AND WITHOUT ANY DETRIMENTAL EFFECTS TO THE FAN WHICH WOULD CAUSE UNSAFE OPERATION.

**ABNORMAL FLARE-UP TEST**  
EXHAUST FAN MUST OPERATE CONTINUOUSLY WHILE EXHAUSTING BURNING GREASE VAPORS AT 600°F (316°C) FOR A PERIOD OF 15 MINUTES WITHOUT THE FAN BECOMING DAMAGED TO ANY EXTENT THAT COULD CAUSE AN UNSAFE CONDITION.

- OPTIONS**
- GREASE BOX.

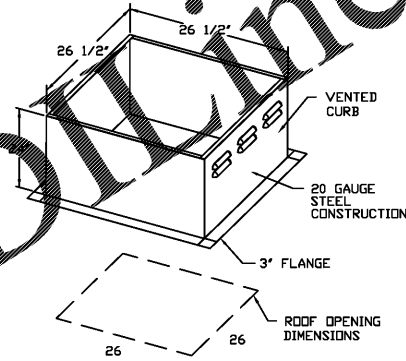
**FEATURES:**

- DIRECT DRIVE CONSTRUCTION (NO BELTS/PULLEYS)
- ROOF MOUNTED FANS
- RESTAURANT MODEL
- UL705 AND UL762 AND ULC-S645
- VARIABLE SPEED CONTROL
- INTERNAL WIRING
- WEATHERPROOF DISCONNECT
- THERMAL OVERLOAD PROTECTION (SINGLE PHASE)
- HIGH HEAT OPERATION 300°F (149°C)
- GREASE CLASSIFICATION TESTING

**NORMAL TEMPERATURE TEST**  
EXHAUST FAN MUST OPERATE CONTINUOUSLY WHILE EXHAUSTING AIR AT 300°F (149°C) UNTIL ALL FAN PARTS HAVE REACHED THERMAL EQUILIBRIUM, AND WITHOUT ANY DETRIMENTAL EFFECTS TO THE FAN WHICH WOULD CAUSE UNSAFE OPERATION.

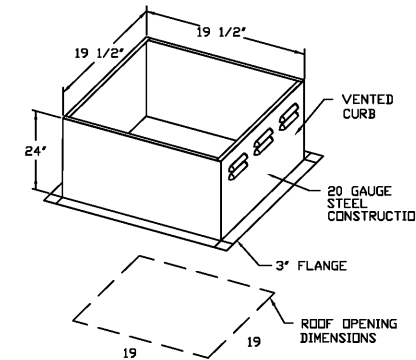
**ABNORMAL FLARE-UP TEST**  
EXHAUST FAN MUST OPERATE CONTINUOUSLY WHILE EXHAUSTING BURNING GREASE VAPORS AT 600°F (316°C) FOR A PERIOD OF 15 MINUTES WITHOUT THE FAN BECOMING DAMAGED TO ANY EXTENT THAT COULD CAUSE AN UNSAFE CONDITION.

- OPTIONS**
- GREASE BOX.



PITCHED CURBS ARE AVAILABLE FOR PITCHED ROOFS.

SPECIFY PITCH  
EXAMPLE: 7/12 PITCH = 30° SLOPE



PITCHED CURBS ARE AVAILABLE FOR PITCHED ROOFS.

SPECIFY PITCH  
EXAMPLE: 7/12 PITCH = 30° SLOPE

REVISIONS	
DESCRIPTION	DATE

Dallas Office  
1901 Royal Lane Suite 101, DALLAS, TX, 75228 PHONE: (214) 220-3669 FAX: (214) 220-0669 EMAIL: reg45@captiveair.com

CAPTIVE

IHOP Owensboro KY  
DALLAS, TX, 75229

DATE: 4/1/2019  
DWG.#: 3767192  
DRAWN BY: CJP-REG45  
SCALE: 3/4" = 1'-0"  
MASTER DRAWING

SHEET NO.  
5