

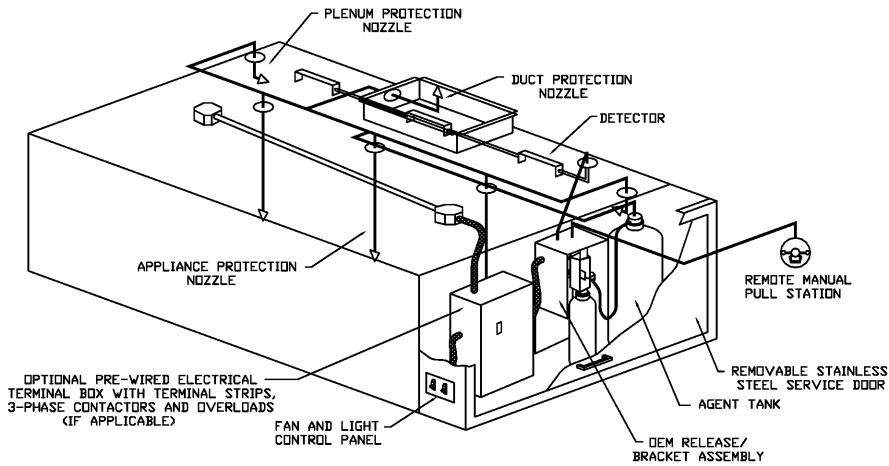
**Fire System Information - Job#3767192**

FIRE SYSTEM NO.	Tag	TYPE	SIZE	FLOW POINTS	INSTALLATION	
					SYSTEM	LOCATION ON HOOD
1		Ansul R102	3.0/3.0/3.0	26	Fire Cabinet Right	Right

INCLUDES: FIELD INSTALLATION AND HOOKUP DURING NORMAL BUSINESS HOURS BY CERTIFIED INSTALLERS ONLY IN THE LOCATION NOTED ABOVE. TWO SITE VISITS ONLY (ONE VISIT TO SET PULL STATION & SYSTEM HOOKUP AND ONE VISIT FOR ONE TEST); ADDITIONAL VISITS WILL RESULT IN ADDITIONAL CHARGES). ONE MECHANICAL GAS VALVE PER SYSTEM AT A MAXIMUM SIZE OF 2" PERMIT, AND SYSTEM TEST.  
EXCLUDES: UNION LABOR & PREVAILING WAGE (LABOR & WAGES WILL BE ADDED IF APPLICABLE), GAS VALVE INSTALLATION, ELECTRICAL HOOKUP AND CONNECTIONS, HANGING OF FIRE CABINET, SHUNT TRIP, HANDHELD EXTINGUISHER(S), ON-SITE RE-PIPING DUE TO EQUIPMENT LAYOUT CHANGES.

**NOTES**

- FIELD PIPE DROPS AS SHOWN
- SLEEVING, ELBOWS, TEES, AND NOZZLES SUPPLIED BY CAS
- RELOCATE NOZZLES IF FLOW PATTERN IS BLOCKED BY SHELVING, SALAMANDERS, ETC.
- MAXIMUM 9 ELBOWS IN SUPPLY LINE.
- MINIMUM 72 INCHES OF AGENT LINE FROM TANK TO FIRST NOZZLE.
- IF APPLICABLE, PRE-PIPED CHARBROILER DROPS ARE SHIPPED LOOSE.
- FACTORY PIPING EXTENDS A MAXIMUM OF 6" ABOVE THE TOP OF THE HOOD.
- APPLIANCE DIMENSIONS LISTED REPRESENT THE COOKING SURFACE SIZE, NOT THE OVERALL APPLIANCE SIZE.
- THIS FIRE SYSTEM COMPLIES WITH U.L. 300 REQUIREMENTS



**LEGEND - FIRE CABINET ANSUL SYSTEM**

- 1A 1.5 GALLON TANK
- 1B 3 GALLON TANK
- 2 DEM AUTOMAN RELEASE
- 3 DEM REGULATED RELEASE
- 4 DEM REGULATED ACTUATOR
- 5 ANSULEX LIQUID AGENT (3 GAL)
- 6 ANSULEX LIQUID AGENT (5 GAL)
- 7 CARTRIDGE (101-20)
- 8 CARTRIDGE (101-30)
- 9 CARTRIDGE (101-30)
- 9A CARTRIDGE (101-30)
- 9B DOUBLE TANK CARTRIDGE
- 10 TEST LINK
- 11 DOUBLE MICROSWITCH
- 12 HOSE ASSEMBLY
- 1100 DUCT NOZZLE (430913)
- 2W DUCT NOZZLE (419337)
- NOZZLE ASSEMBLY (419336)
- 1F NOZZLE ASSEMBLY (419333)
- 1N NOZZLE ASSEMBLY (419335)
- 1/2N NOZZLE ASSEMBLY (419334)
- 3N NOZZLE ASSEMBLY (419338)
- 245 NOZZLE ASSEMBLY (419340)
- 230 NOZZLE ASSEMBLY (419339)
- 2120 NOZZLE ASSEMBLY (419343)
- 290 NOZZLE ASSEMBLY (419342)
- 260 NOZZLE ASSEMBLY (419341)
- 28 DETECTOR BRACKET
- 29 LOW TEMP FUSIBLE LINK
- 30 HIGH TEMP FUSIBLE LINK
- MGV MECHANICAL GAS VALVE
- EGV ELECTRICAL GAS VALVE
- 34 REMOTE MANUAL PULL STATION
- S SWIVEL ADAPTOR

**SPECIFICATIONS**

THE RESTAURANT FIRE SUPPRESSION SYSTEM SHALL BE THE PRE-ENGINEERED TYPE WITH A FIXED NOZZLE AGENT DISTRIBUTION NETWORK. IT SHALL BE LISTED WITH UNDERWRITERS LABORATORIES, INC. (UL)

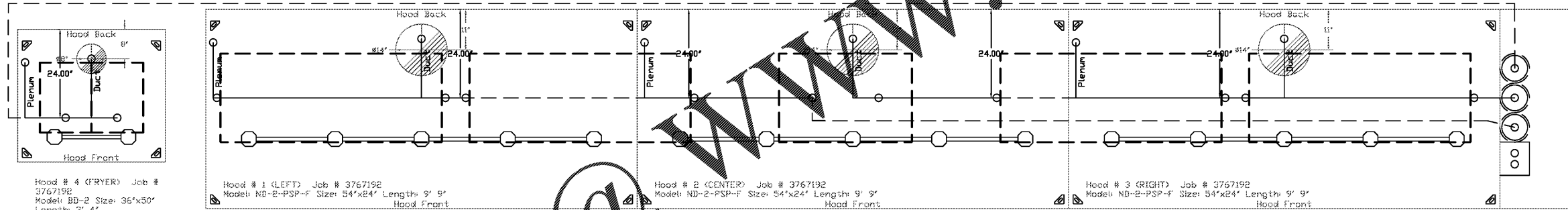
THE SYSTEM SHALL BE CAPABLE OF AUTOMATIC DETECTION AND ACTUATION WITH LOCAL OR REMOTE MANUAL ACTUATION. ACCESSORIES SHALL BE AVAILABLE FOR MECHANICAL OR ELECTRICAL GAS LINE SHUT-OFF APPLICATIONS.

THE EXTINGUISHING AGENT SHALL BE A POTASSIUM CARBONATE, POTASSIUM ACETATE-BASED FORMULATION DESIGNED FOR FLAME KNOCKDOWN AND SECUREMENT OF GREASE RELATED FIRES. IT SHALL BE AVAILABLE IN PLASTIC CONTAINERS WITH INSTRUCTIONS FOR LIQUID AGENT HANDLING AND USAGE.

THE REGULATED RELEASE MECHANISM SHALL BE COMPATIBLE WITH A FUSIBLE LINK DETECTION SYSTEM. THE FUSIBLE LINK SHALL BE SELECTED AND INSTALLED ACCORDING TO THE OPERATING TEMPERATURE IN THE VENTILATING SYSTEM. THE FUSIBLE LINK SHALL BE SUPPORTED BY A DETECTOR BRACKET/LINKAGE ASSEMBLY.

**TYPICAL ANSUL R-102 SYSTEM LAYOUT**

- Job #: 3767192  
Job Name: IHOP Owensboro KY
- System Size: ANSUL-3.0/3.0/3.0 Total Flow Required: 26  
 Hood # 1 9' 9.00" Long x 14" Wide x 24" High  
 Riser # 1 Size: 1/4" Dia.  
 Hood # 1 Metal Blow-Off Caps Included.  
 Hood # 2 9' 9.00" Long x 54" Wide x 24" High  
 Riser # 1 Size: 1/4" Dia.  
 Hood # 2 Metal Blow-Off Caps Included.  
 Hood # 3 9' 9.00" Long x 54" Wide x 24" High  
 Riser # 1 Size: 1/4" Dia.  
 Hood # 3 Metal Blow-Off Caps Included.  
 Hood # 4 3' 9.00" Long x 36" Wide x 50" High  
 Riser # 1 Size: 1/4" Dia.  
 Hood # 4 Metal Blow-Off Caps Included.

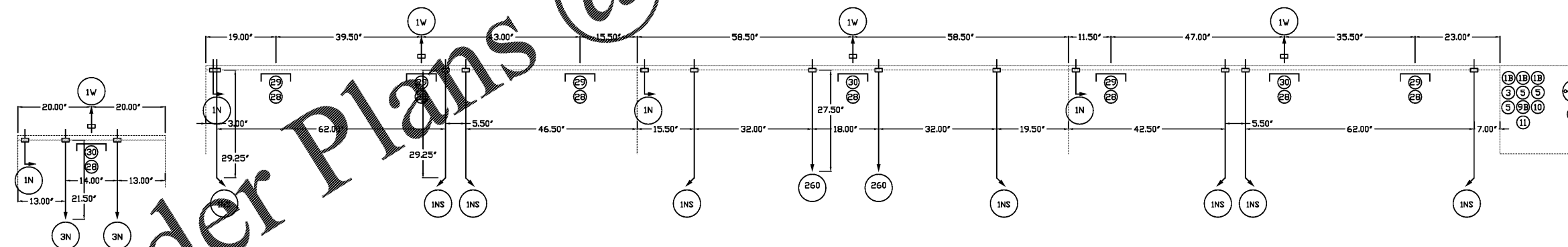


Hood # 4 (FRYER) Job # 3767192  
Model: BB-2 Size: 36"x50"  
Length: 3' 4"

Hood # 1 (LEFT) Job # 3767192  
Model: ND-2-PSP-F Size: 54"x24" Length: 9' 9"

Hood # 2 (CENTER) Job # 3767192  
Model: ND-2-PSP-F Size: 54"x24" Length: 9' 9"

Hood # 3 (RIGHT) Job # 3767192  
Model: ND-2-PSP-F Size: 54"x24" Length: 9' 9"



Fryer-H w/Drp Box  
High Priority  
14.00' L x 19.00' D

Fryer-H w/Drp Board  
High Priority  
14.00' L x 19.00' D

Griddle  
High Priority  
60.00' L x 24.00' D

Griddle  
High Priority  
60.00' L x 24.00' D

Range-Hed  
Medium Priority  
36.00' L x 24.00' D

Griddle  
High Priority  
60.00' L x 24.00' D

Griddle  
High Priority  
60.00' L x 24.00' D

**REVISIONS**

NO.	DESCRIPTION	DATE

**CAPTIVE**

Dallas Office

1901 Royal Lane Suite 101, DALLAS, TX, 75229 PHONE: (214) 220-3668 FAX: (214) 220-3669 EMAIL: reg45@captiveware.com

IHOP Owensboro KY  
DALLAS, TX, 75229

DATE: 4/1/2019  
DWG.#: 3767192  
DRAWN BY: CJP-REG45  
SCALE: 3/4" = 1'-0"  
MASTER DRAWING

SHEET NO. 4