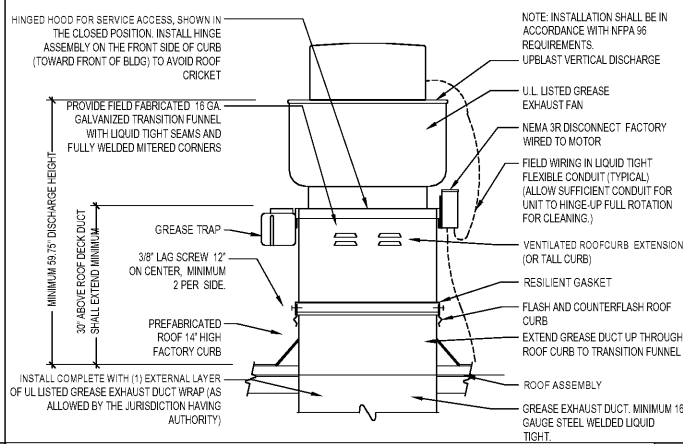
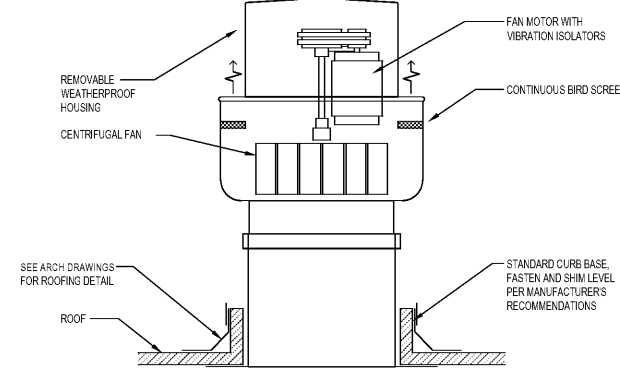


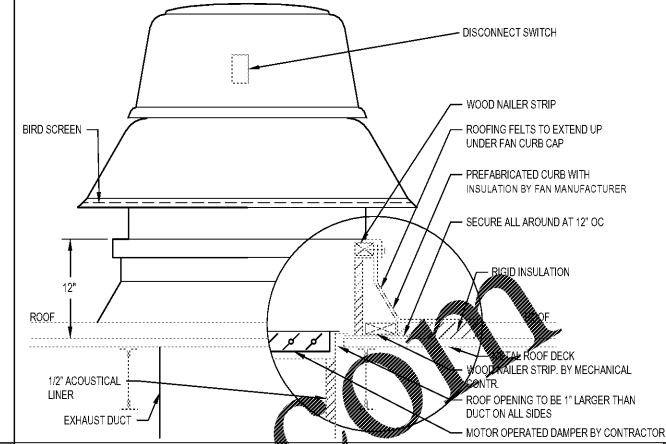
ROOFTOP UNIT DETAIL
SCALE: NONE 1



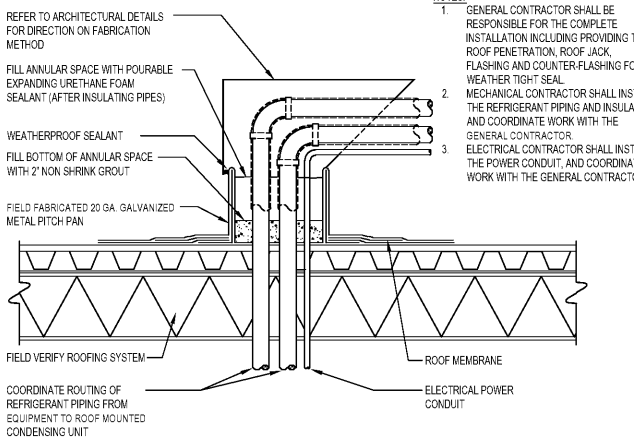
KITCHEN UPBLAST GREASE EXHAUST FAN DETAIL
SCALE: NONE 2



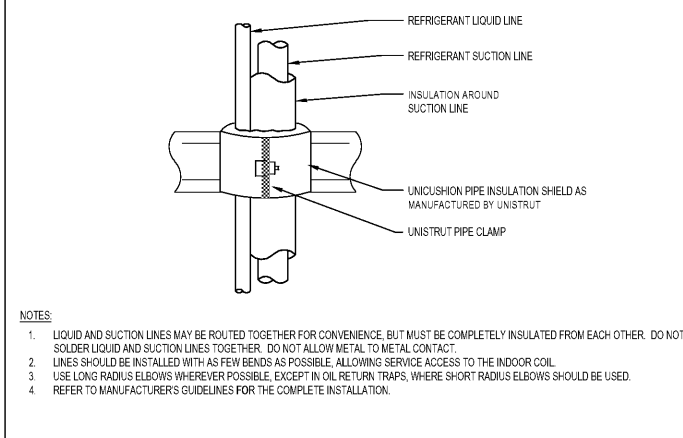
DISHMACHINE UPBLAST EXHAUST FAN DETAIL
SCALE: NONE 3



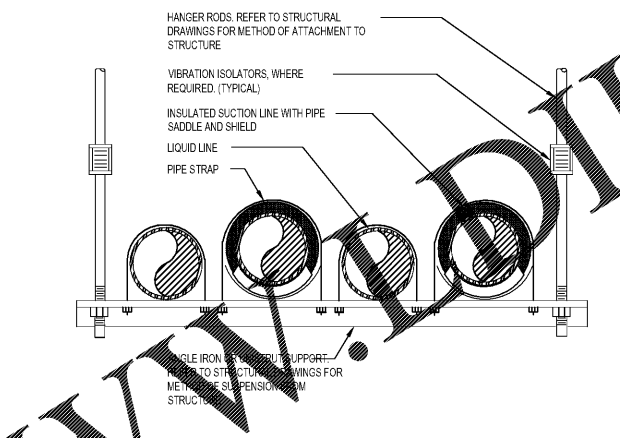
EXHAUST FAN DETAIL
SCALE: NONE 4



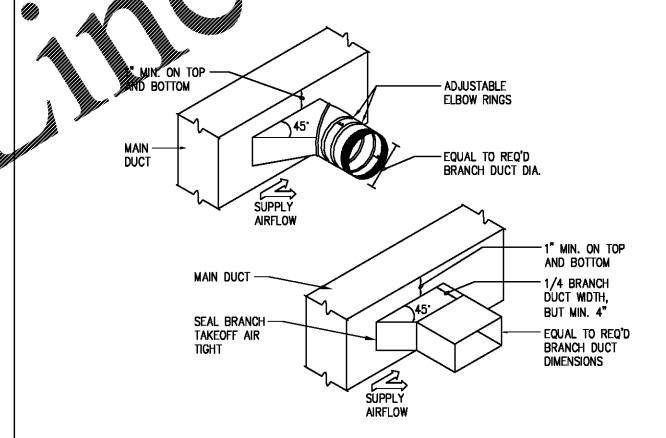
PIPING AND CONDUIT ROOF PENETRATION DETAIL
SCALE: NONE 5



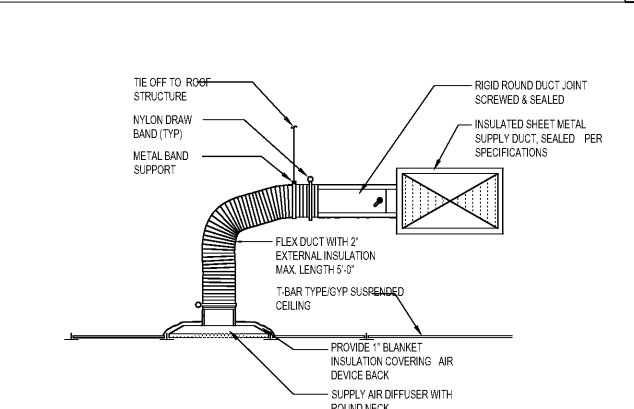
VERTICAL REFRIGERANT PIPE SUPPORT DETAIL
SCALE: NONE 6



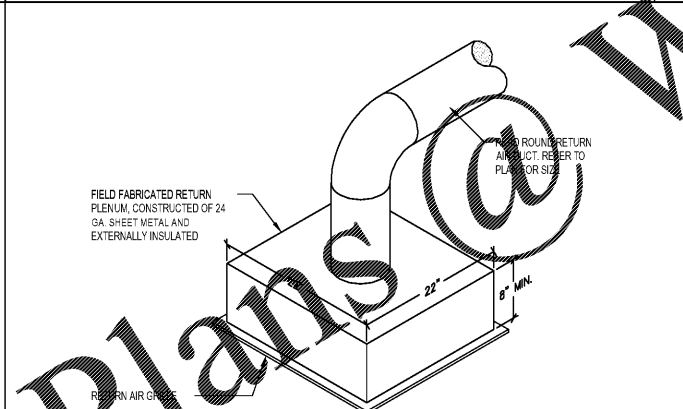
HORIZONTAL REFRIGERANT PIPE SUPPORT DETAIL
SCALE: NONE 7



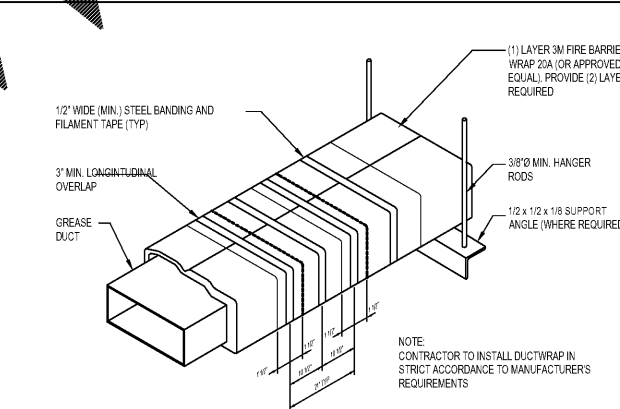
BRANCH TAKE-OFF FITTING DETAIL
SCALE: NONE 8



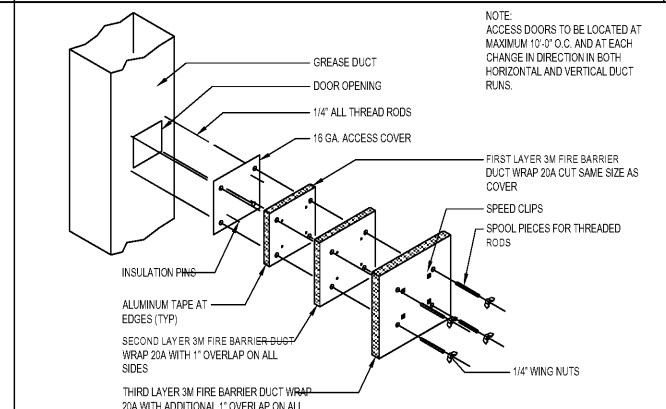
CEILING MOUNTED SUPPLY AIR DIFFUSER DETAIL
SCALE: NONE 9



CEILING MNTD. RETURN AIR GRILLE DETAIL
SCALE: NONE 10



UL LISTED GREASE EXHAUST DUCT WRAP DETAIL
SCALE: NONE 11



UL LISTED GREASE EXHAUST DUCT ACCESS DOOR DETAIL
SCALE: NONE 12

NOT USED
SCALE: NONE 13

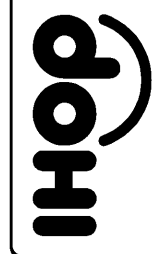
NOT USED
SCALE: NONE 14

NOT USED
SCALE: NONE 15

NOT USED
SCALE: NONE 16



LIP Architecture
2200 N. Cleveland Mountain Rd.
Akron, Ohio 44328
1.800.688.8662
www.liparchitecture.com



PROJECT NO.:
DRAWN BY: TBA
CHECKED BY: TBA
ISSUED DATE: 05.07.19

ISSUED REVISIONS:

Owensboro, KY 42303
Rise and Shine Prototype
IHOP
MECHANICAL DETAILS



M3.1