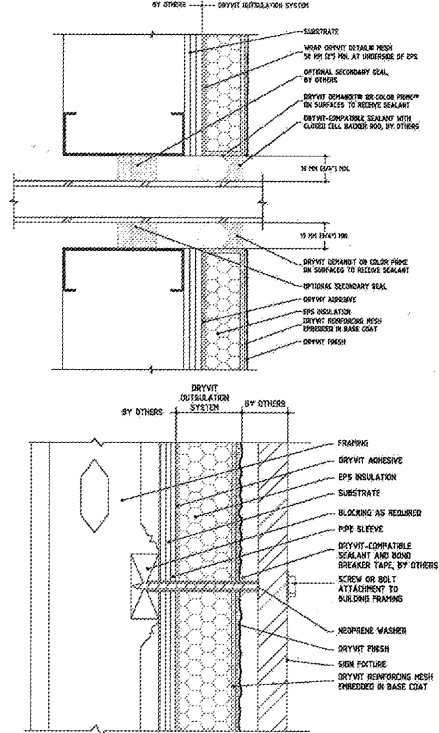


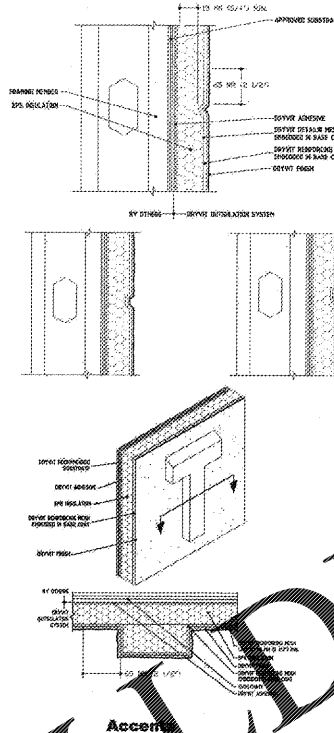
Deck Flashing

FIGURE 1 (Continued)



Penetrations

FIGURE 1 (Continued)



Accents

FIGURE 1 (Continued)

Design No. U305

February 04, 2015

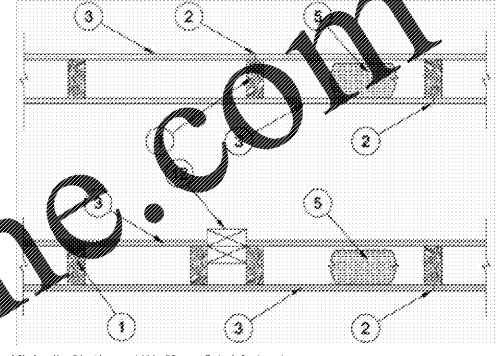
Bearing Wall Rating — 1 Hr

Finish Rating — See Items 3, 3A, 3B, 3E, 3F, 3G, 3H, 3I and 3L

ETC Rating — 86 (See Item B)

This design was evaluated using a load design method other than the Limit States Design Method (i.e., Working Stress Design Method). For jurisdictions employing the Limit States Design Method, such as Canada, a load restriction factor shall be used — See Guide S305 or S300Z.

* Indicate such products shall bear the UL or cUL Certification Mark for jurisdictions employing the UL or cUL Certification (such as Canada), respectively.



1. Wood Studs — Nom 2 by 4 in. spaced 16 in. OC max, effectively fire-treated.

2. Joints and Nail-Heads — Joints covered with joint compound and paper tape. Joint compound and paper tape may be omitted when square edge boards are used. As an alternative, non 3/32 in. thick gypsum veneer plaster may be applied to the entire surface of classified veneer baseboard with the joints reinforced with paper tape, nailheads recessed or covered with joint compound.

3. Gypsum Board* — 5/8 in. thick paper or vinyl surfaced, with beveled, square, or tapered edges, scalled either horizontally or vertically. Gypsum panels nailed 7 in. OC with 6d cement coated nails 1-7/8 in. long, 0.0915 in. shank diam and 15/64 in. diam heads. When used in walls other than 40 in., gypsum panels are to be installed non-parallel. For an alternate method of attachment of gypsum panels, refer to Item 3, 3A or 3L, Steel Framing Members*.

EIFS DETAIL
NTS 1

EIFS DETAIL
NTS 2

EIFS DETAIL
NTS 3

U305 - UL RATED 1-HR INTERIOR WALL
NTS 4



2138 N Cleveland Mansfield Rd
Akron, Ohio 44333
1 330.609.3361
www.lokanpartners.com

LIP Architecture
USE OF DOCUMENTS: Drawings, specifications and other documents prepared by the architect are instruments of the contract. They shall be used only in accordance with the original Project. They shall not be used for any other purpose without the written consent of the architect.



PROJECT NO:
DRAWN BY: L+P
CHECKED BY: L+P
ISSUED DATE: 05.07.19
ISSUED REVISIONS:
A
A
A
A
A
A

3070 Highland Pte. Dr.
Owensboro, KY 42303
IHOP
Rise and Shine Prototype
ICC Details EIFS System

A5.1

Order Plans @ WWW.LIDILINE.COM