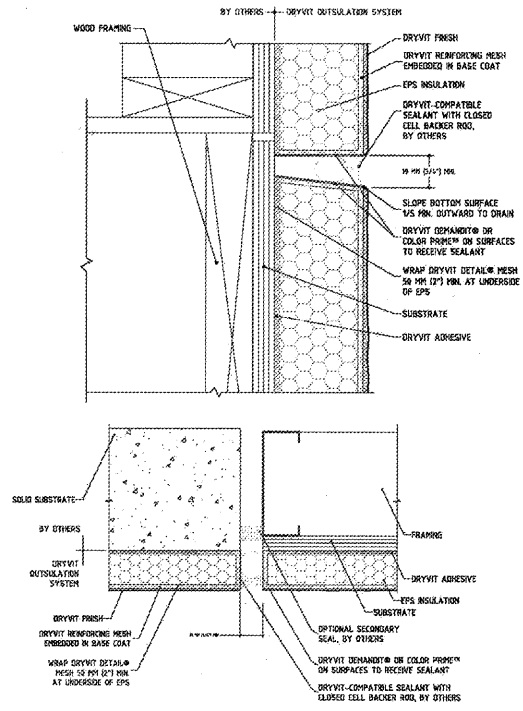


FIGURE 2—TYPICAL DETAILS

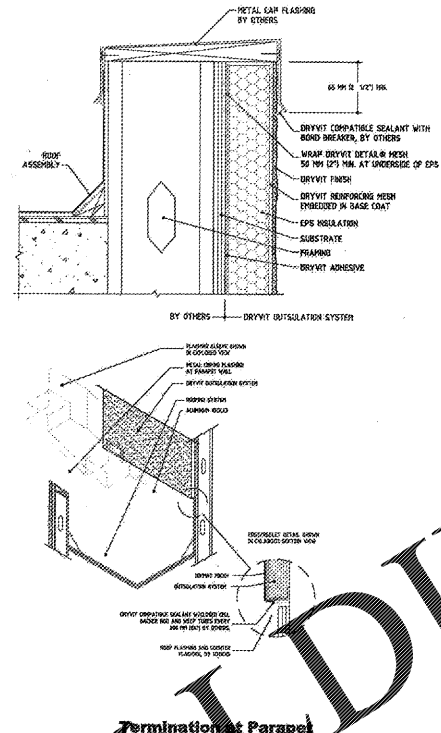
EIFS DETAIL NTS 1



Expansion Joints

FIGURE 1 (Continued)

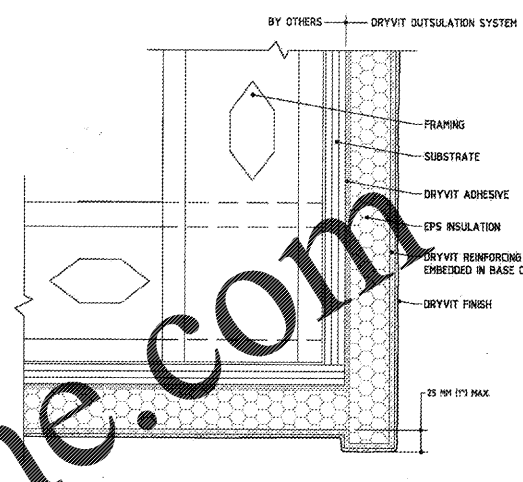
EIFS DETAIL NTS 2



Termination at Parapet

FIGURE 1 (Continued)

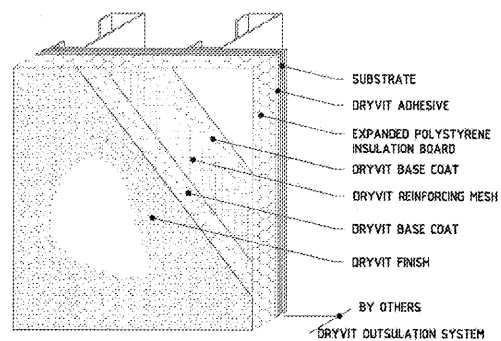
EIFS DETAIL NTS 3



Soffit Layout

FIGURE 1 (Continued)

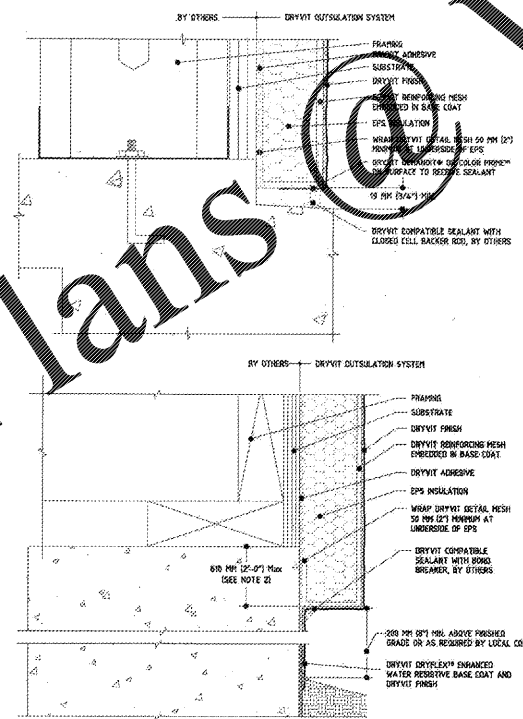
EIFS DETAIL NTS 4



System Layout

FIGURE 1—TYPICAL INSTALLATION DETAILS

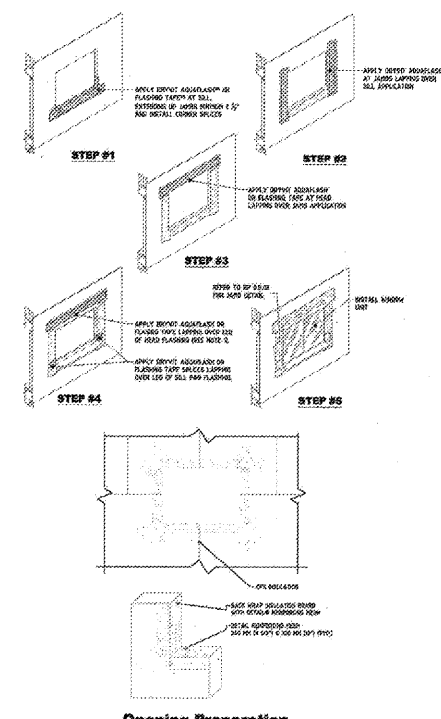
EIFS DETAIL NTS 5



System Termination

FIGURE 1 (Continued)

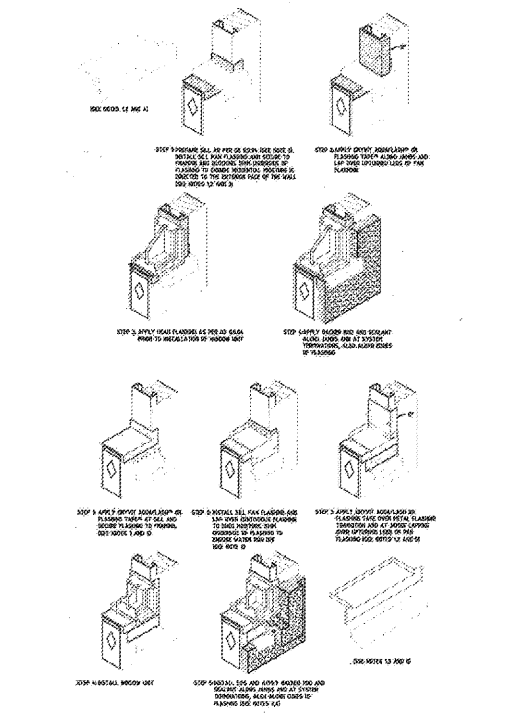
EIFS DETAIL NTS 6



Opening Preparation

FIGURE 1 (Continued)

EIFS DETAIL NTS 7



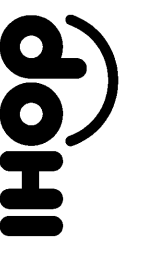
Window Preparation

FIGURE 1 (Continued)

EIFS DETAIL NTS 8



**LIP Architecture**  
 USE OF DOCUMENTS: Drawings, specifications and other documents prepared by the architect are instruments of the contract. They are to be used only with respect to the Project. The architect and its firms may not be held liable for any and other omissions, errors, or mistakes, including copyright.



PROJECT NO.:  
DRAWN BY: L+P  
CHECKED BY: L+P  
ISSUED DATE: 05.07.19  
ISSUED REVISIONS:

3070 Highland Pte. Dr.  
Owensboro, KY 42303  
IHOP Rise and Shine Prototype  
ICC Details EIFS System

A5.0