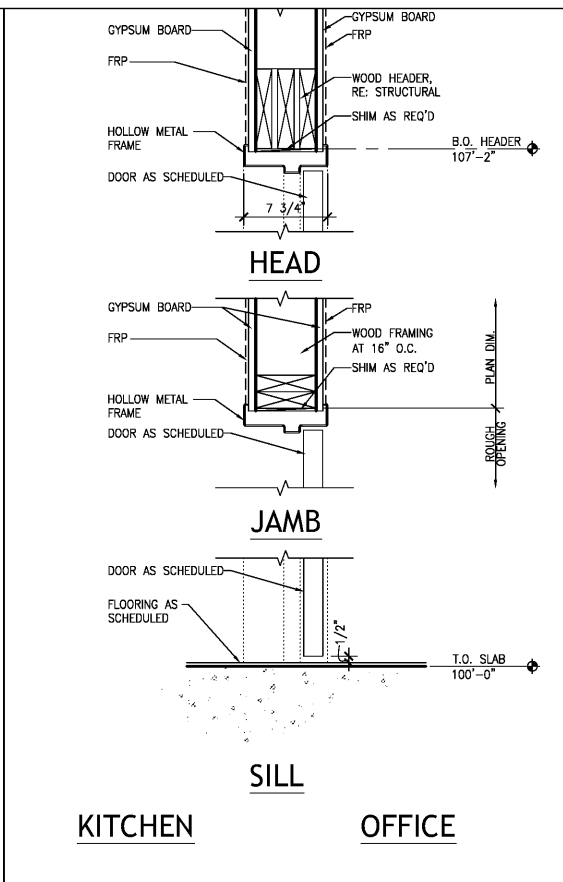
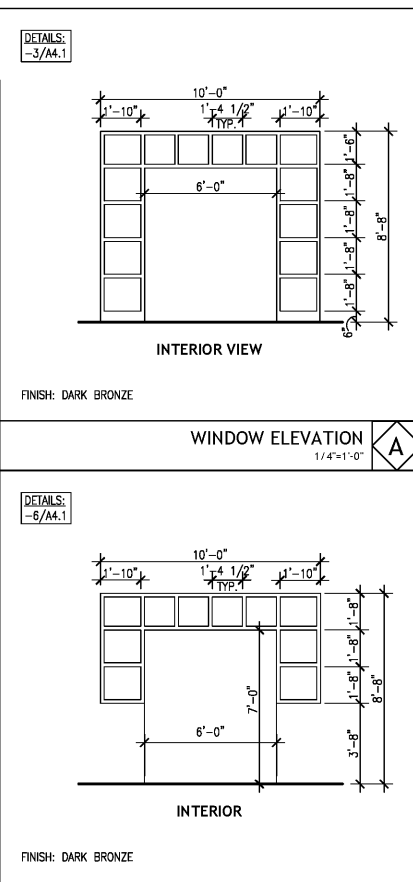


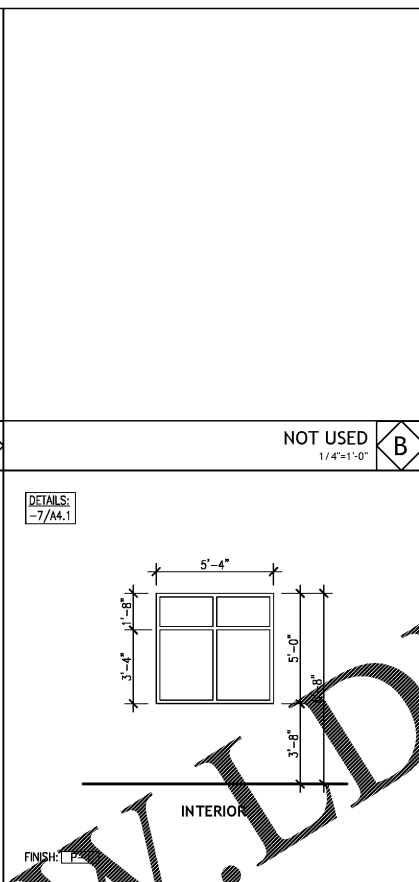
STORAGE RESTROOM VESTIBULE
DOOR #6 DETAILS
1 1/2"x1'-0"



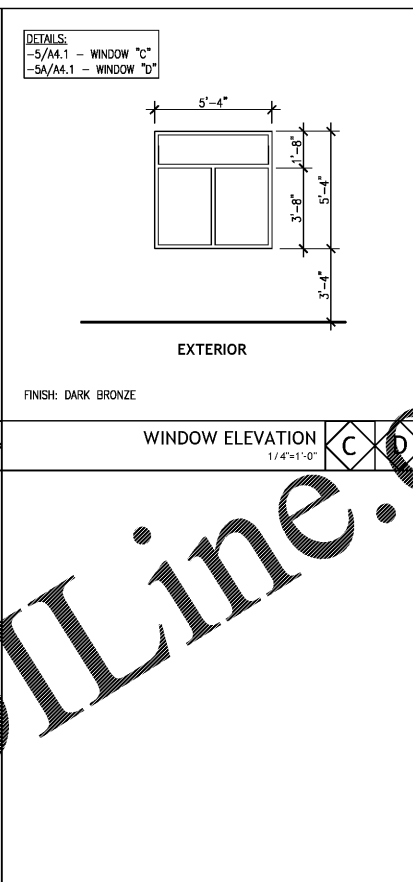
KITCHEN OFFICE
DOOR #9 DETAILS
1 1/2"x1'-0"



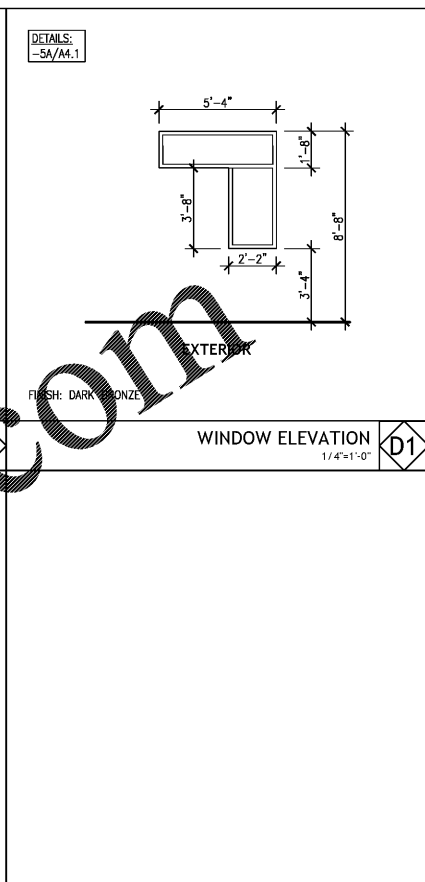
WINDOW ELEVATION A
1/4"x1'-0"



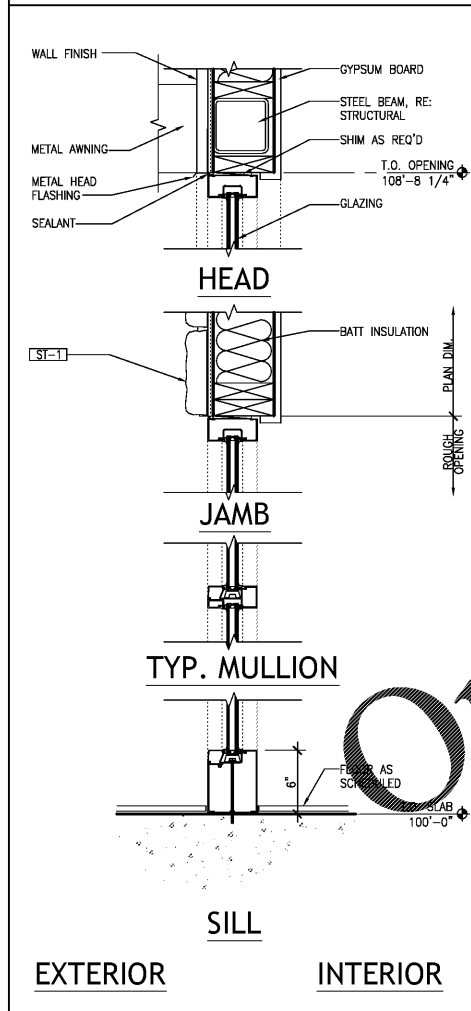
WINDOW ELEVATION B
1/4"x1'-0"



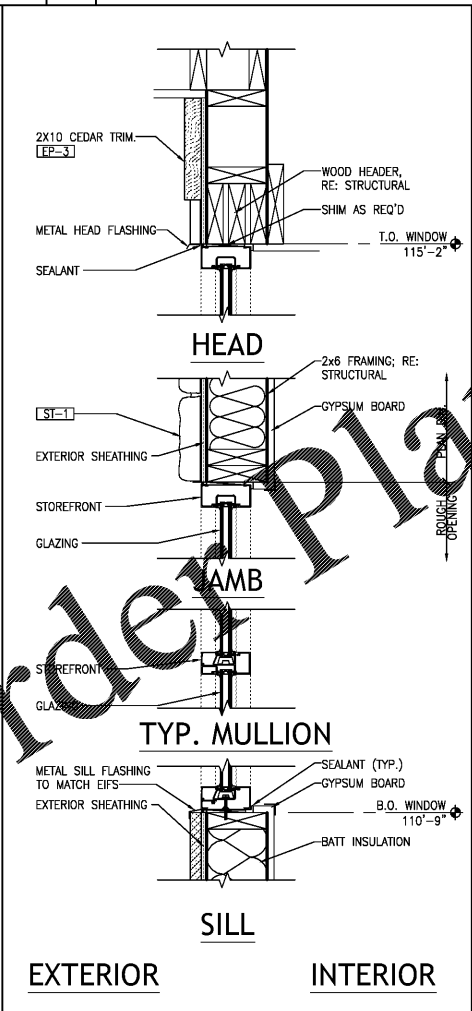
WINDOW ELEVATION C
1/4"x1'-0"



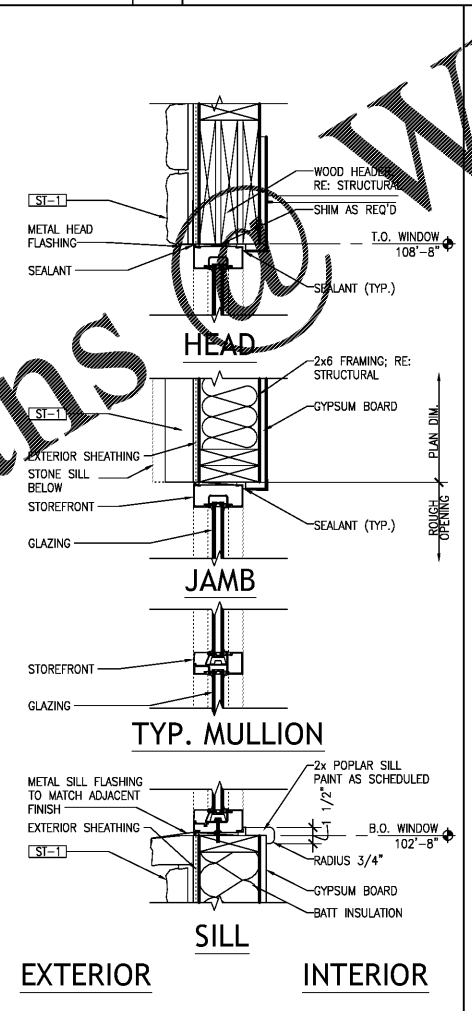
WINDOW ELEVATION D1
1/4"x1'-0"



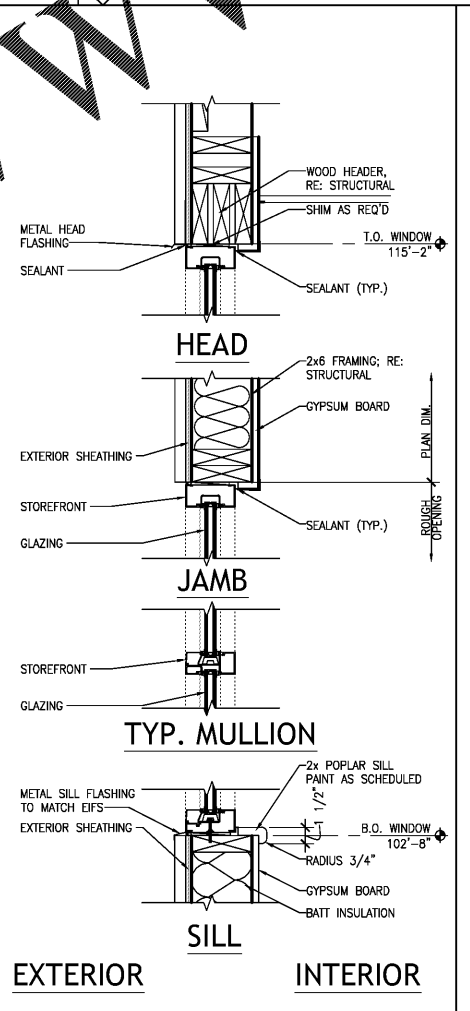
WINDOW 'A' DETAIL
1 1/2"x1'-0"



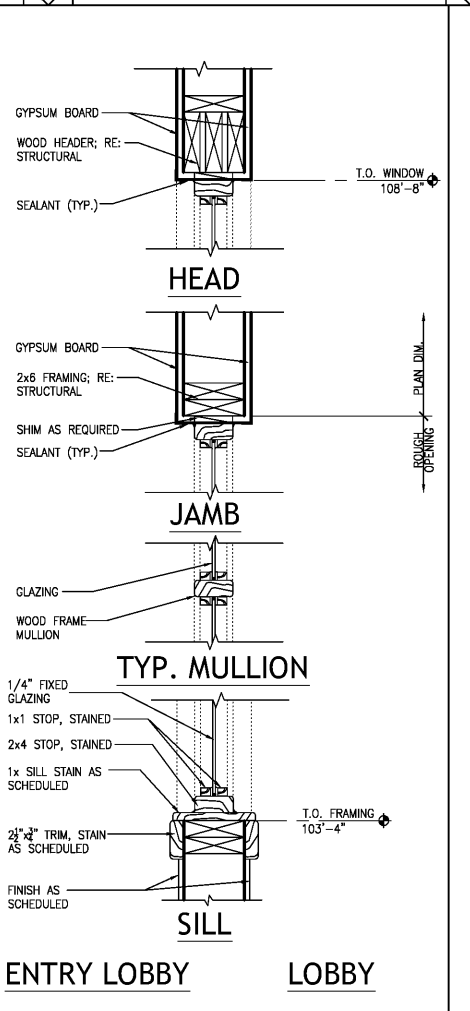
WINDOW 'B' DETAIL
1 1/2"x1'-0"



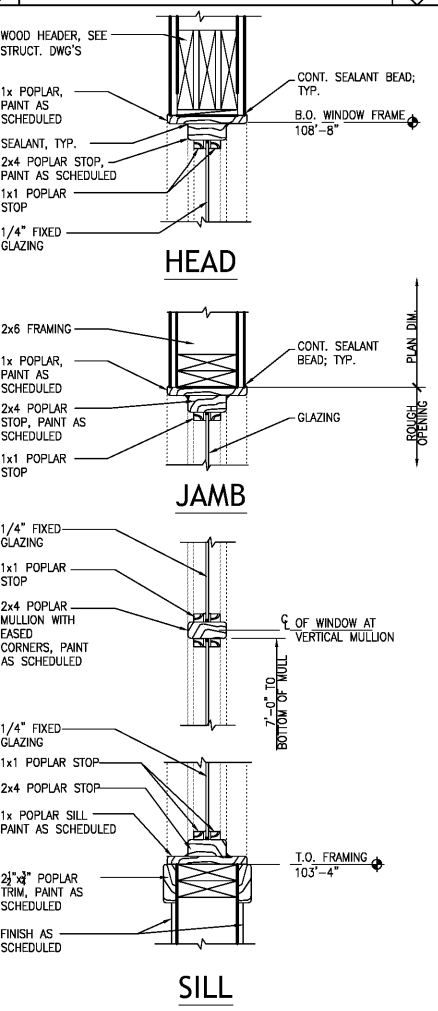
WINDOW 'C' DETAIL
1 1/2"x1'-0"



WINDOW 'D' & 'D1' DETAIL
1 1/2"x1'-0"



WINDOW 'E' DETAIL
1 1/2"x1'-0"



WINDOW 'F' AND 'G' DETAIL
1 1/2"x1'-0"