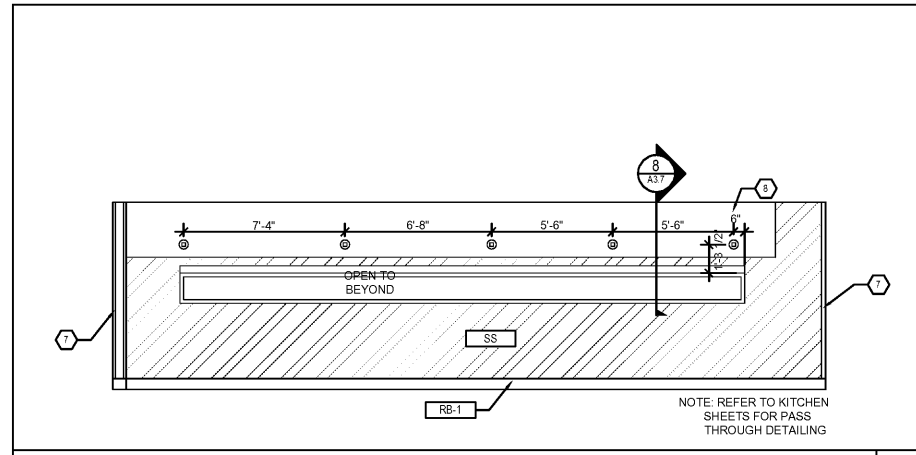
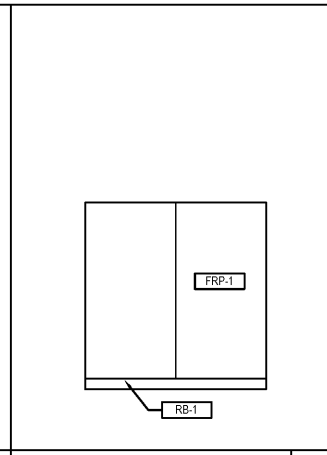


KEY NOTES	
1	LIGHT FIXTURES, RE: ELECTRICAL
2	HATCHED AREA INDICATES AREA TO BE PREPPED FOR WALL COVERING
3	BOOTHS AND SEATING, RE: MILLWORK
4	WOOD SLAT DIVIDER / BUBBLE SCREEN, RE: MILLWORK
5	1"x2" WOOD TRIM, PAINTED P-3
6	PANEL INFILL, RE: 18/A3.7
7	CORNER GUARDS BY K.E.C.
8	HOOD, RE: MECHANICAL
9	ELECTRICAL PANELS, RE: ELECTRICAL
10	MOP SINK, RE: 01/A3.7
11	WOOD TRIM, RE: 3/A3.7, (19/A3.7 AT JAMB), STAIN WS-1
12	1X WOOD ACCENT, PTD, PER SCHEDULE
13	HOSTESS CABINET BY MILLWORK
14	LINE OF WINDOWS AS WALL BEHIND BULKHEAD
15	FIRE EXTINGUISHER CABINET, RE: 9/A3.7
16	SAFE BY KEC
17	CEILING SOUND
18	STIFF STAIR, RE: 02/A3.7 SIM
19	ADJUSTABLE BRACKETS & SHELVING
20	2"x2" ACCESS PANEL, PAINT TO MATCH ADJACENT CEILING
21	"HOP" LOGO GRAPHIC BY GC
22	TRIPP LITE MODEL SRW26US DATA CABINET
23	ARTWORK PROVIDED BY GC, HUNG BY GC
24	2"x2" ACCESS PANEL, PAINT TO MATCH ADJACENT WALL
25	WOOD CHAIR RAIL STAINED TO MATCH WALL PANEL, RE: 9/A3.7

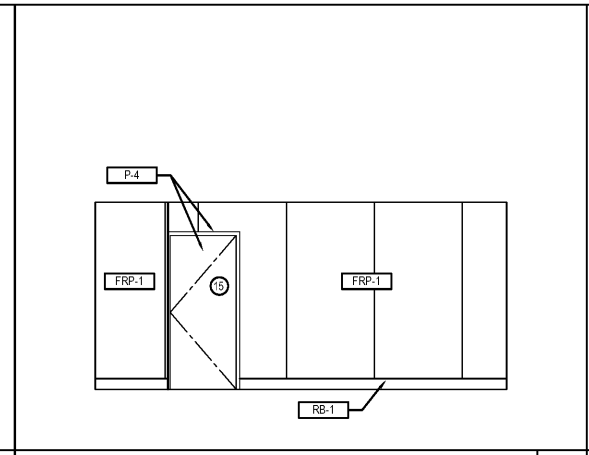
FR-1	6" x 24" PORCELAIN TILE, WALL OW BEHND CROWN, WE-03 DASH BROWN
FR-2	ECCO GRIP SELF RESISTANT SAFETY FLOORINGS
RB-2	12" x 24" RUBBER BASE W/ TICE
WS-1	CUSTOM SOFELL WALLBOARD
LVT-1	VINYL WALL ACCENT
WT-1	BUBBLE WALL TILE, SIZE: 12X24
GMT-1	GLASS MOSAIC TILE (ELUSE-0LA33, SIZE: 12X12)
SS	STAINLESS STEEL PANELS
FRPA-1	POLAR WHITE FRP
CT-1	WHITE 2"x2" CEILING PANELS
CT-2	WHITE 2"x4" CEILING PANELS (NON PERFORATED)
P-1	PURE WHITE (LATEX MATTE)
P-2	MEGA GRADE (LATEX MATTE)
P-4	SORTBROUGH DOOR TRIM (MATCH P-3)
P-5	CORPER MOUNTAIN (LATEX MATTE)
P-6	DYNAMIC BLUE (LATEX MATTE)
P-7	BLUE CHIP (LATEX MATTE)
P-8	SORTBROUGH DOOR TRIM FOLKSTONE
P-9	FIREWEED (RED) SATIN
WS-1	WOOD STAIN
WC-1	SHEET WALL COVERING RED
WC-2	SHEET WALL COVERING BLUE
SPP-1	POWDER COATED BAKED ENAMEL STEEL PARTITIONS
SPP-1	SATIN STAINLESS PARTITION SUPPORT
WSP-1	WINDOW SPACE
SSM-1	COUNTER TOP-DG/DAL, DEEP SINK



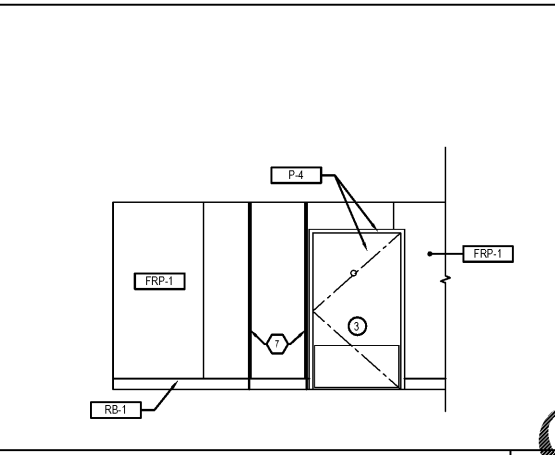
KITCHEN ELEVATION 1
1/4"=1'-0"



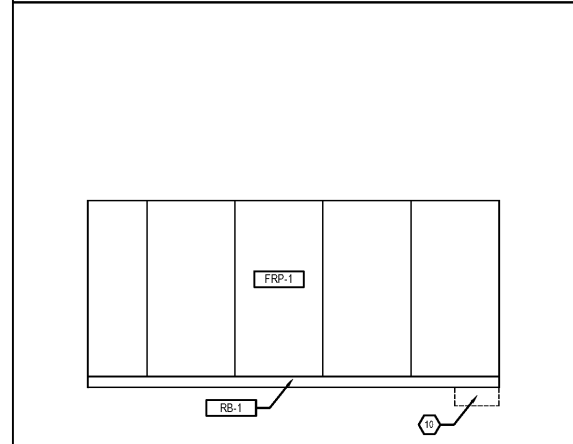
KITCHEN ELEVATION 2
1/4"=1'-0"



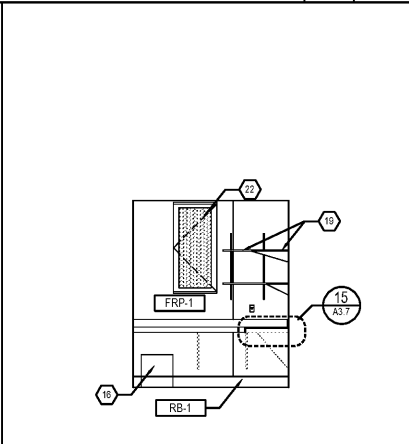
KITCHEN ELEVATION 3
1/4"=1'-0"



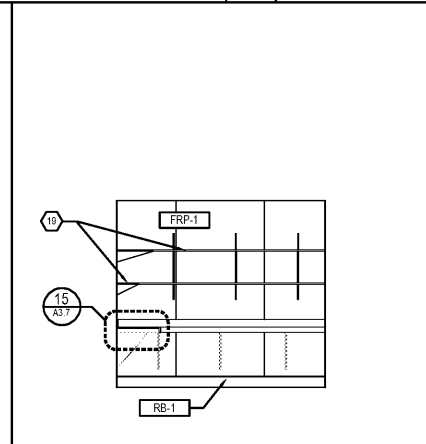
KITCHEN ELEVATION 4
1/4"=1'-0"



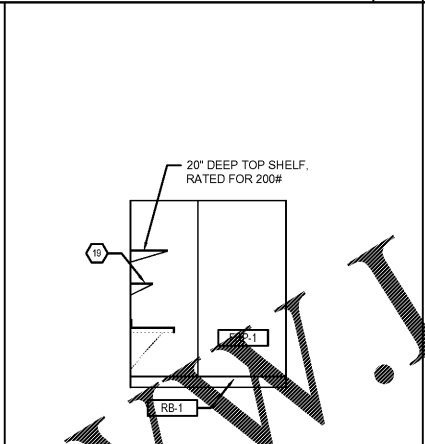
KITCHEN ELEVATION 5
1/4"=1'-0"



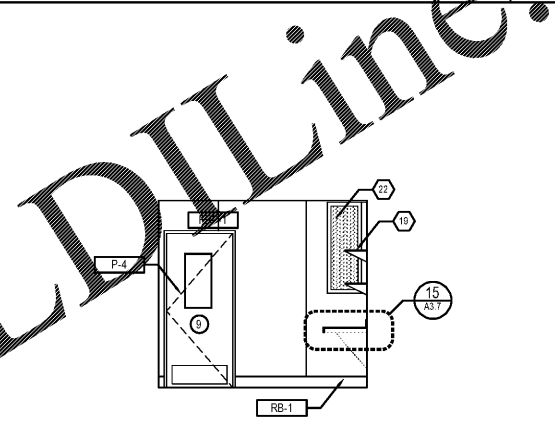
OFFICE ELEVATION 6
1/4"=1'-0"



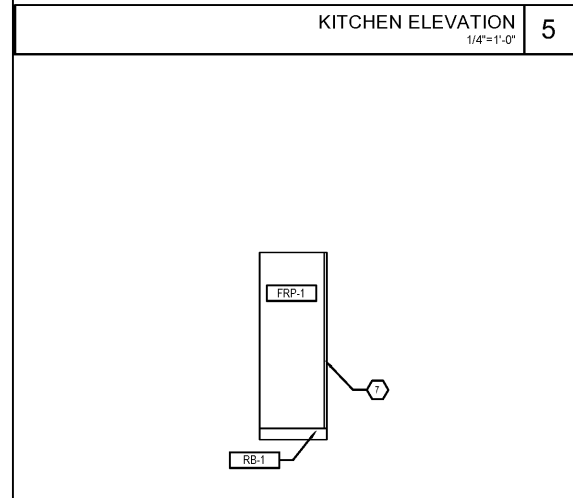
OFFICE ELEVATION 7
1/4"=1'-0"



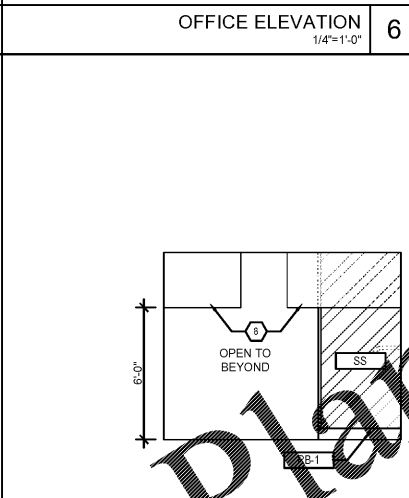
OFFICE ELEVATION 8
1/4"=1'-0"



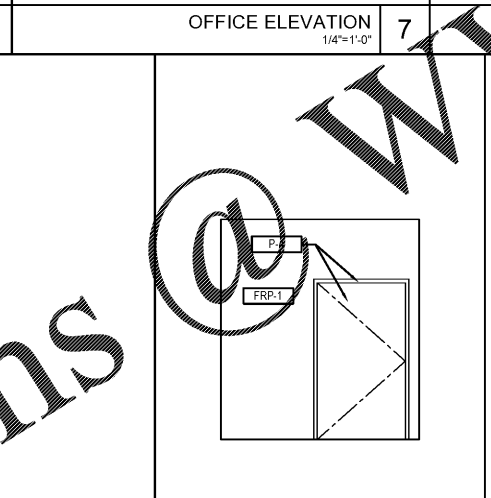
OFFICE ELEVATION 9
1/4"=1'-0"



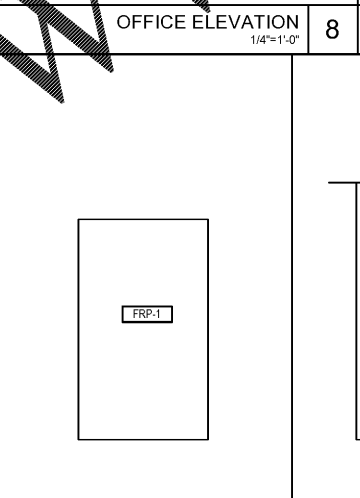
STAFF STATION ELEVATION 10
1/4"=1'-0"



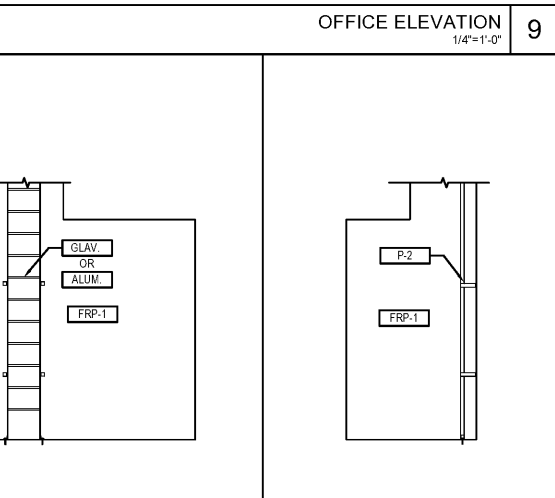
KITCHEN ELEVATION 11
1/4"=1'-0"



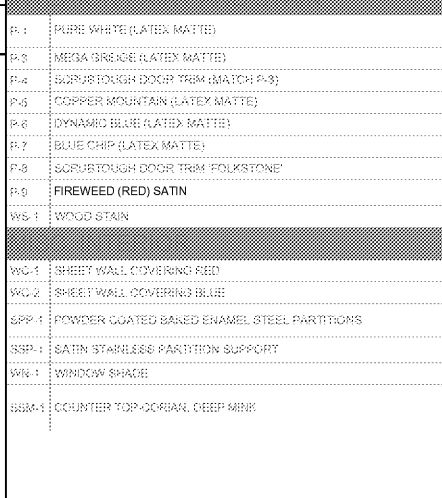
MECH. ROOM ELEVATION 12
1/4"=1'-0"



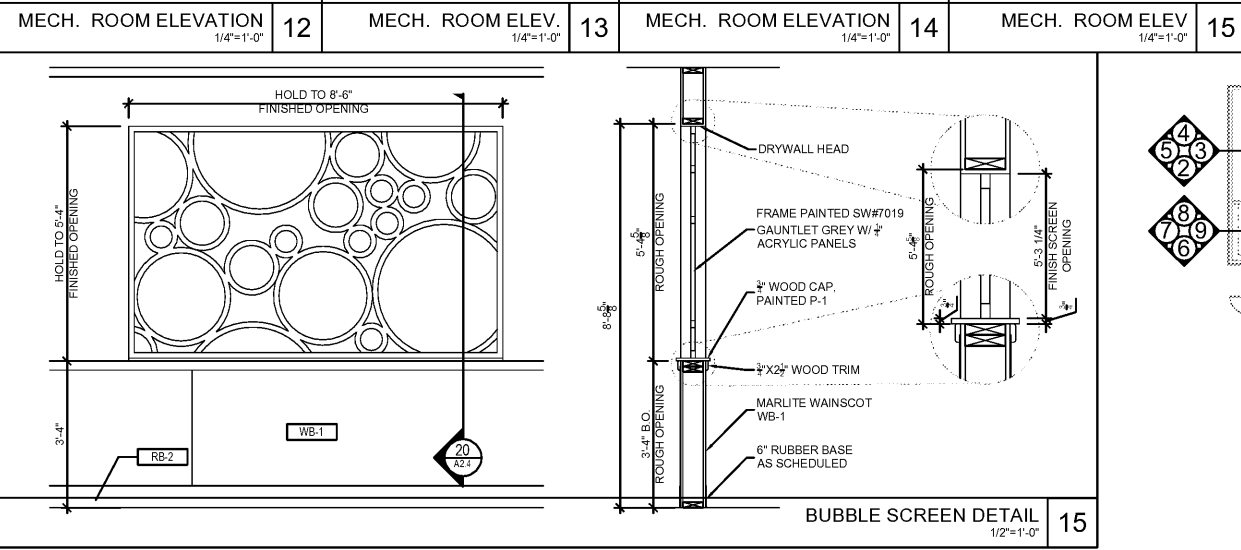
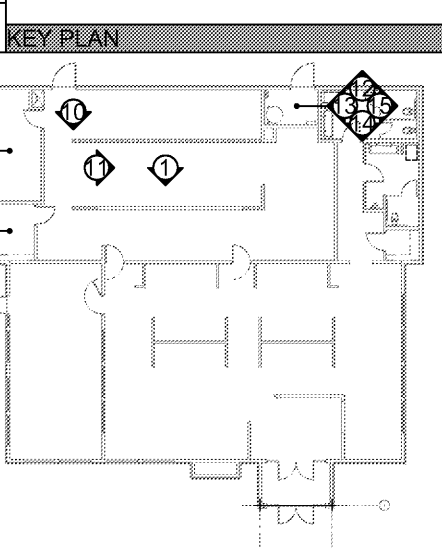
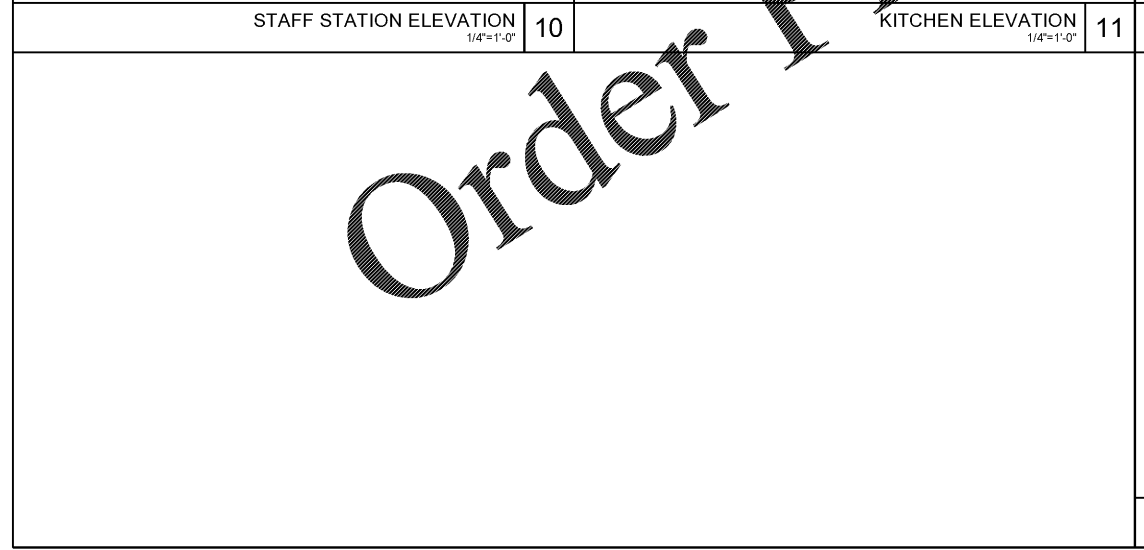
MECH. ROOM ELEV. 13
1/4"=1'-0"



MECH. ROOM ELEVATION 14
1/4"=1'-0"



MECH. ROOM ELEV 15
1/4"=1'-0"



BUBBLE SCREEN DETAIL 15
1/2"=1'-0"

Order Plans

WWW.LDILine.com

05/07/2019

PROJECT NO.	
DRAWN BY:	L+P
CHECKED BY:	L+P
ISSUED DATE:	05.07.19
ISSUED REVISIONS:	

Owensboro, KY 42303
3070 Highland Pte. Dr.
IHOPE
Rise and Shine Prototype
Interior Elevations