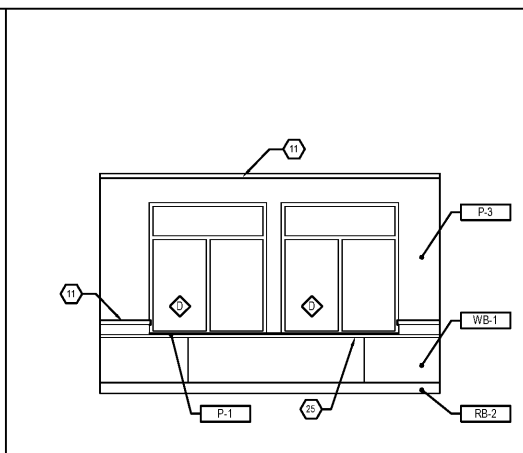
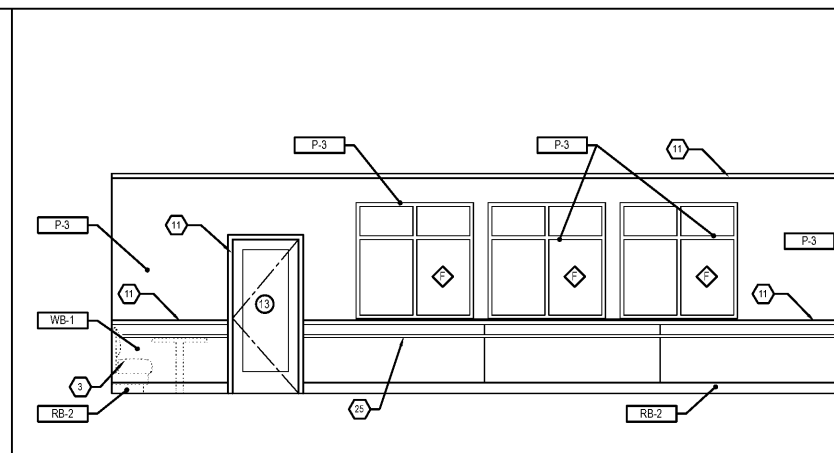


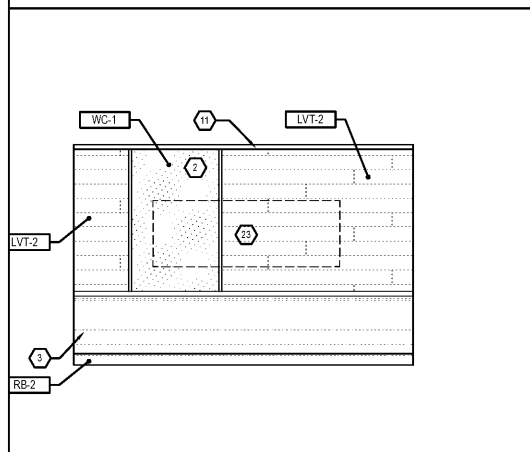
DINING ELEVATION 1  
1/4"=1'-0"



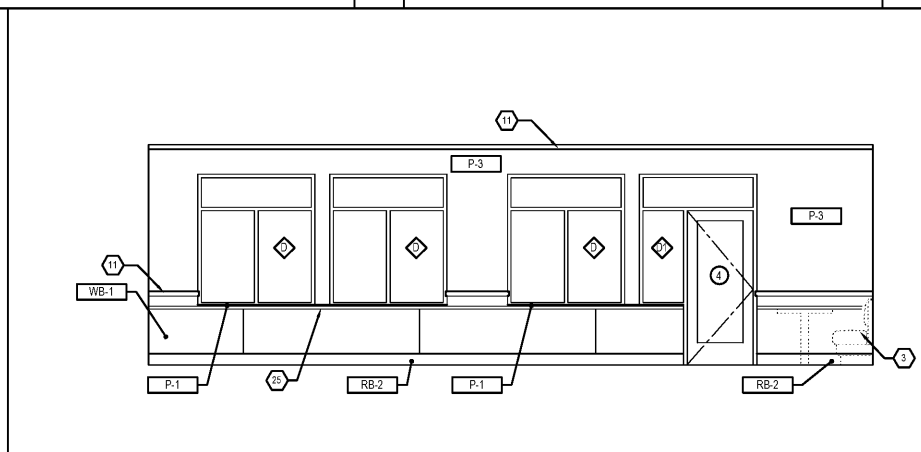
DINING ELEVATION 2  
1/4"=1'-0"



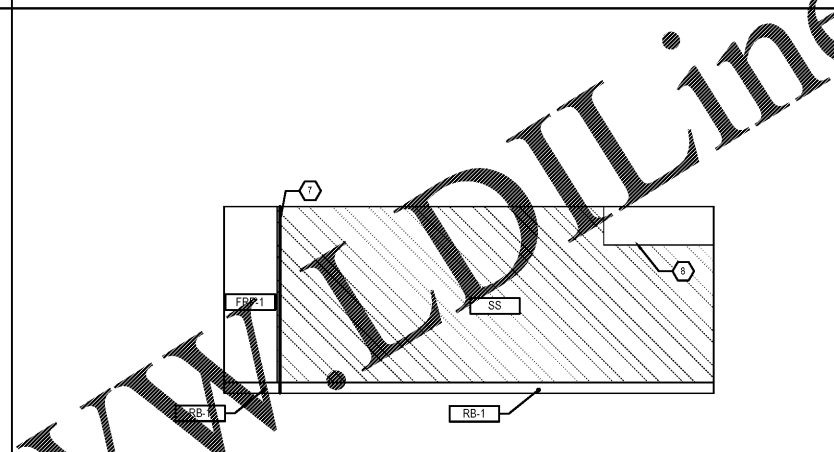
DINING ELEVATION 3  
1/4"=1'-0"



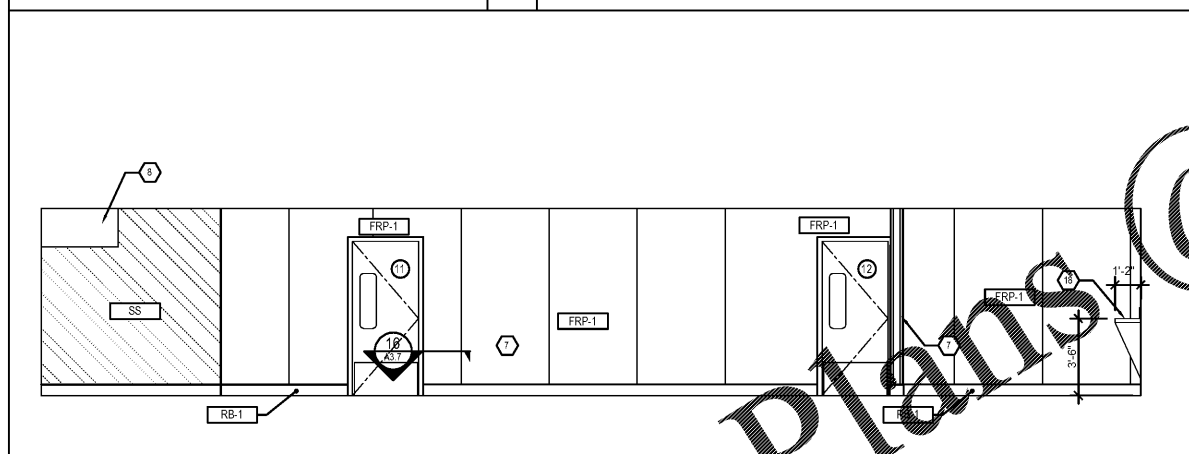
DINING ELEVATION 4  
1/4"=1'-0"



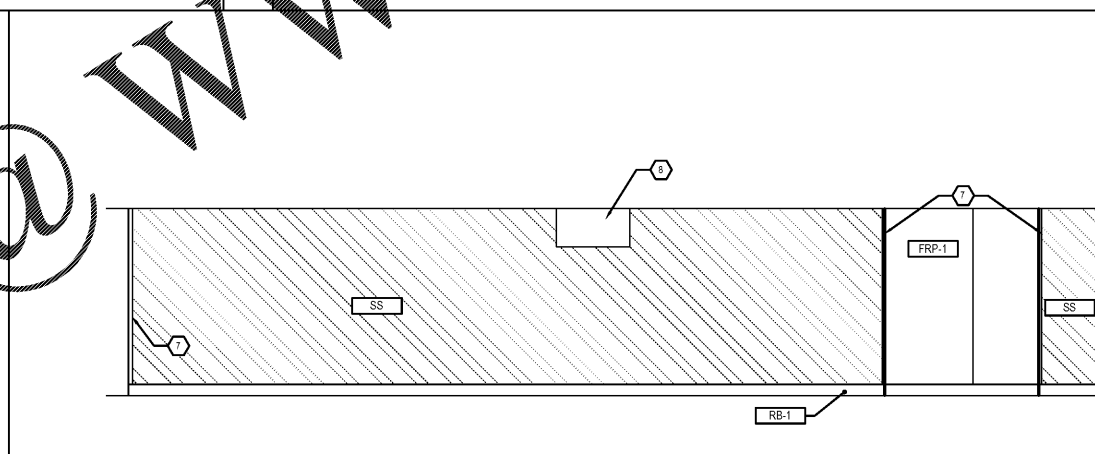
DINING ELEVATION 5  
1/4"=1'-0"



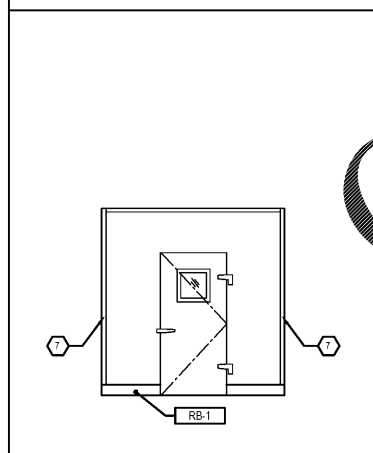
KITCHEN ELEVATION 6  
1/4"=1'-0"



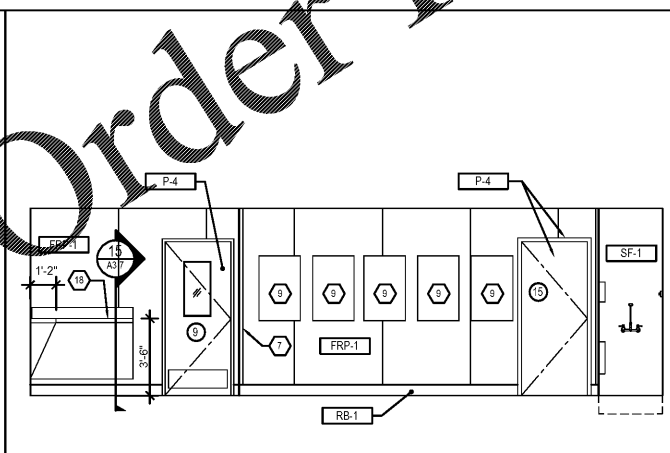
KITCHEN ELEVATION 7  
1/4"=1'-0"



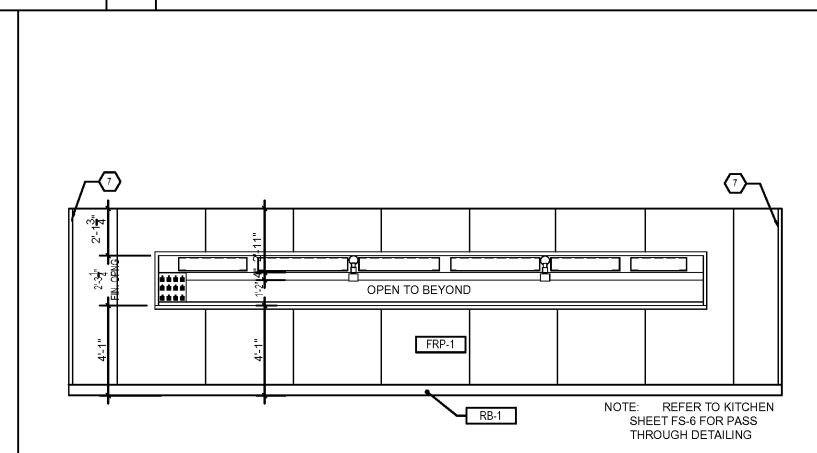
KITCHEN ELEVATION 8  
1/4"=1'-0"



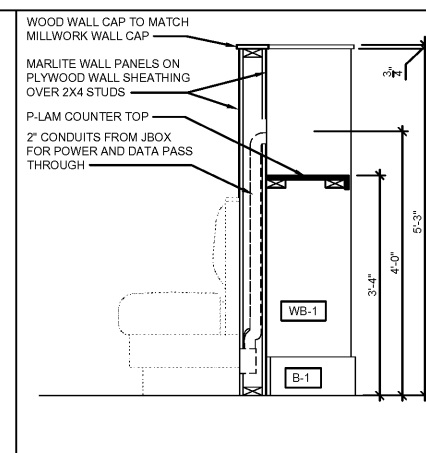
KITCHEN ELEVATION 9  
1/4"=1'-0"



KITCHEN ELEVATION 10  
1/4"=1'-0"



KITCHEN ELEVATION 11  
1/4"=1'-0"



POS SECTION 12  
3/4"=1'-0"

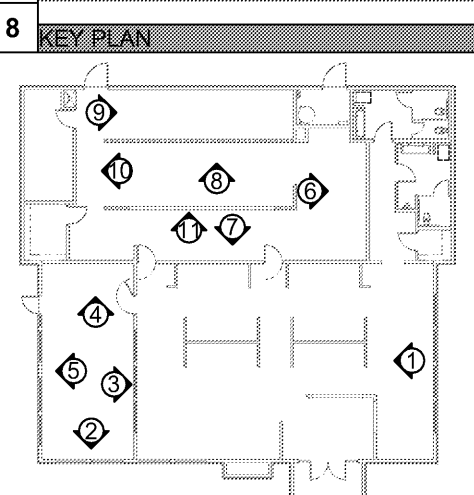
KEY NOTES	
1	LIGHT FIXTURES, RE: ELECTRICAL
2	HATCHED AREA INDICATES AREA TO BE PREPPED FOR WALL COVERING
3	BOOTHS AND SEATING, RE: MILLWORK
4	WOOD SLAT DIVIDER / BUBBLE SCREEN, RE: MILLWORK
5	1"x2" WOOD TRIM, PAINTED P-3
6	PANEL INFILL, RE: 18/A3.7
7	CORNER GUARDS BY K.E.C.
8	HOOD, RE: MECHANICAL
9	ELECTRICAL PANELS, RE: ELECTRICAL
10	MOP SINK, RE: 01/A3.7
11	WOOD TRIM, RE: 3/A3.7, (19/A3.7 AT JAMB), STAIN WS-1
12	1"x WOOD ACCENT, PTD. PER SCHEDULE
13	HOSTESS CABINET BY MILLWORK
14	LINE OF WINDOWS AS WALL BEYOND BULKHEAD
15	FIRE EXTINGUISHER CABINET, RE: 9/A3.7
16	SAFE BY KEC
17	CEILING SOUND
18	STIFF STAIR, RE: 02/A3.7 SIM
19	ADJUSTABLE BRACKETS & SHELVING
20	2"x2" ACCESS PANEL, PAINT TO MATCH ADJACENT CEILING
21	"IHOP" LOGO GRAPHIC BY GC
22	TRIP LITE MODEL SRW26US DATA CABINET
23	MILLWORK PROVIDED BY GC, HUNG BY GC
24	2"x2" ACCESS PANEL, PAINT TO MATCH ADJACENT WALL
25	WOOD CHAIR RAIL STAINED TO MATCH WALL PANEL, RE: 9/A3.7

WB-1	CUSTOM SOFELL WALLBOARD
LVT-2	VINYL WALL ACCENT
WT-1	BUBBLE WALL TILE, SIZE: 120/24
CMNT-1	GLASS MOSAIC TILE (ELUSE-DLA33, SIZE: 12X12)
SS	STAINLESS STEEL PANELS
FRP-1	POLAR WHITE FRP
CT-1	WHITE 2"x2" CEILING PANELS
CT-2	WHITE 2"x4" CEILING PANELS (NON PERFORATED)

P-1	PURE WHITE (LATEX MATTE)
P-2	MEGA GRADE (LATEX MATTE)
P-4	SOURBROUGH DOOR TRIM (MATCH P-3)
P-5	CORNER MOUNTAIN (LATEX MATTE)
P-6	DYNAMIC BLUE (LATEX MATTE)
P-7	BLUE CHIP (LATEX MATTE)
P-8	SOURBROUGH DOOR TRIM FOLKSTONE
P-9	FIREWEED (RED) SATIN
WS-1	WOOD STAIN
WC-1	SHEET WALL COVERING RED
WC-2	SHEET WALL COVERING BLUE
SPP-1	POWDER COATED BAKED ENAMEL STEEL PARTITIONS
SSP-1	SATIN STAINLESS PARTITION SUPPORT
WB-1	WINDOW SPACE
SSM-1	COUNTER TOP-DG/DAL, DEEP MIB
PL-1	CHOCOLATE WARP PLASTIC LAMINATE
PL-2	BAILEY PLASTIC LAMINATE
GM-1	GLASS MOSAIC TILE



KEY PLAN