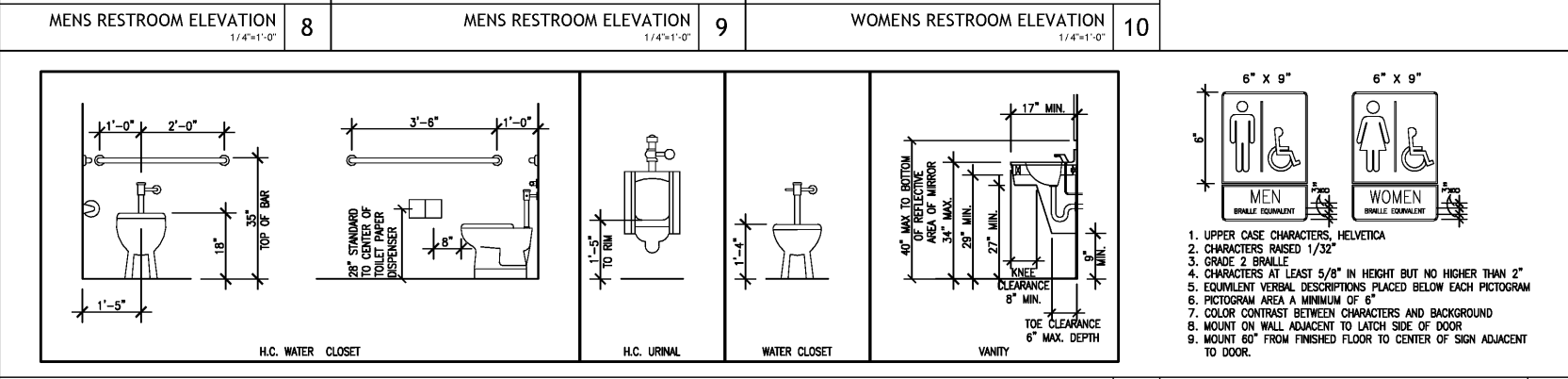
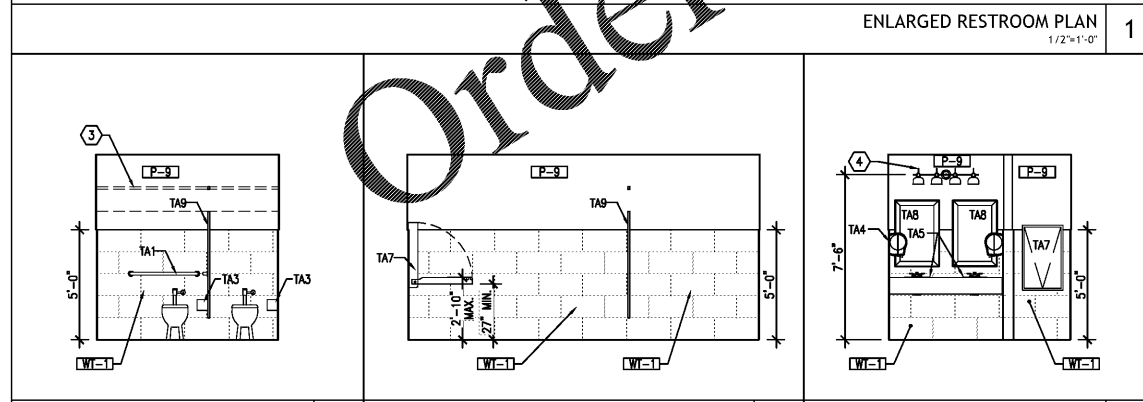
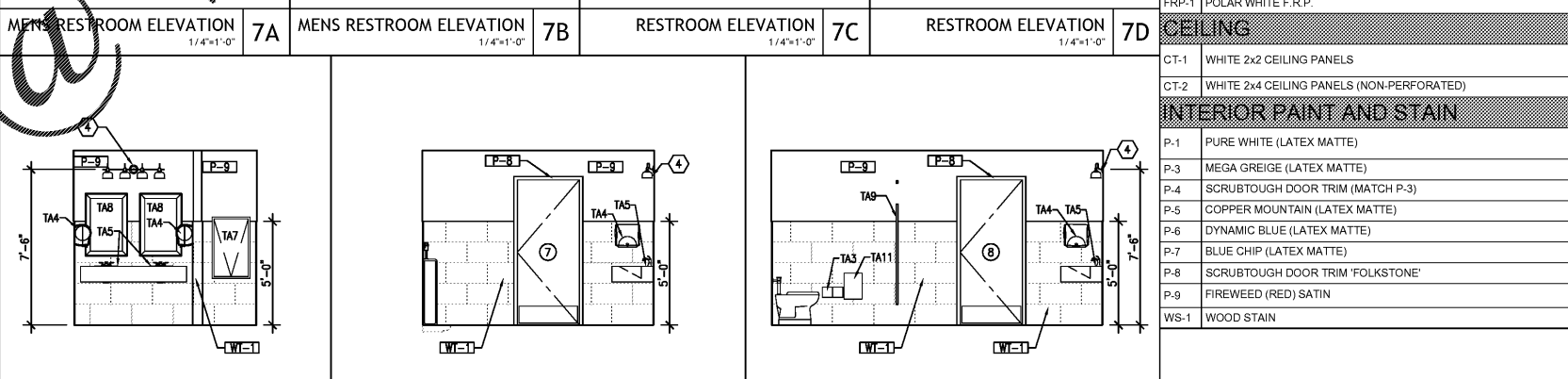
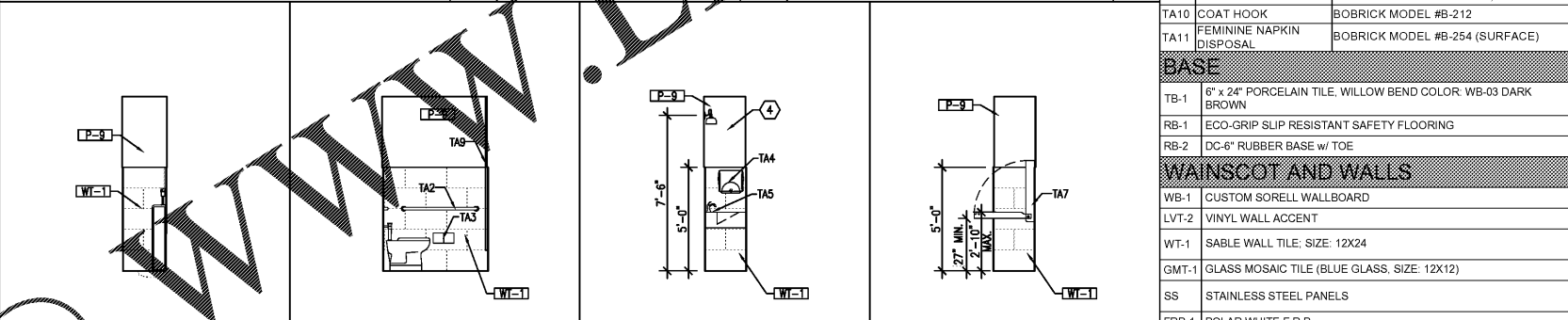
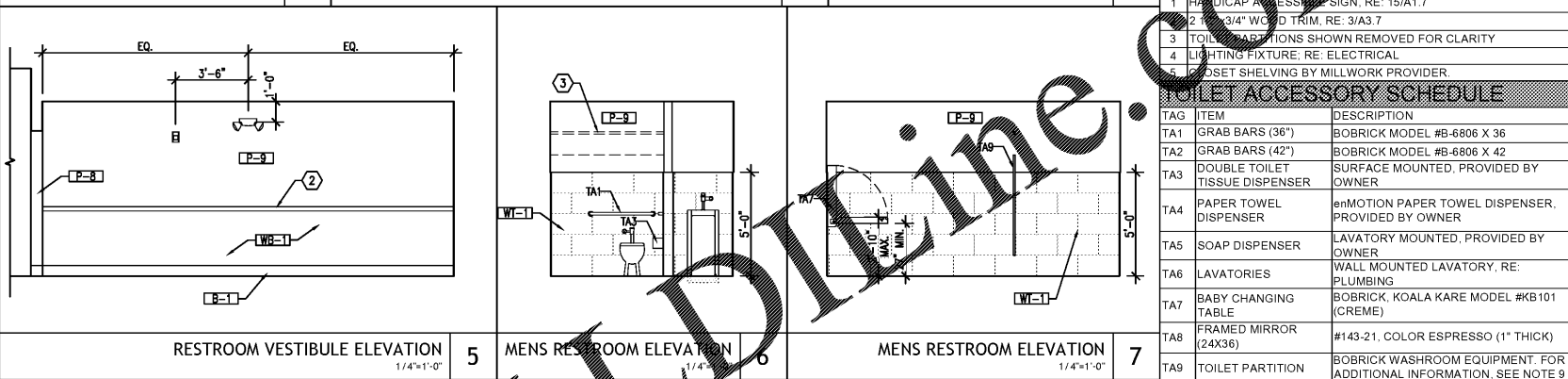
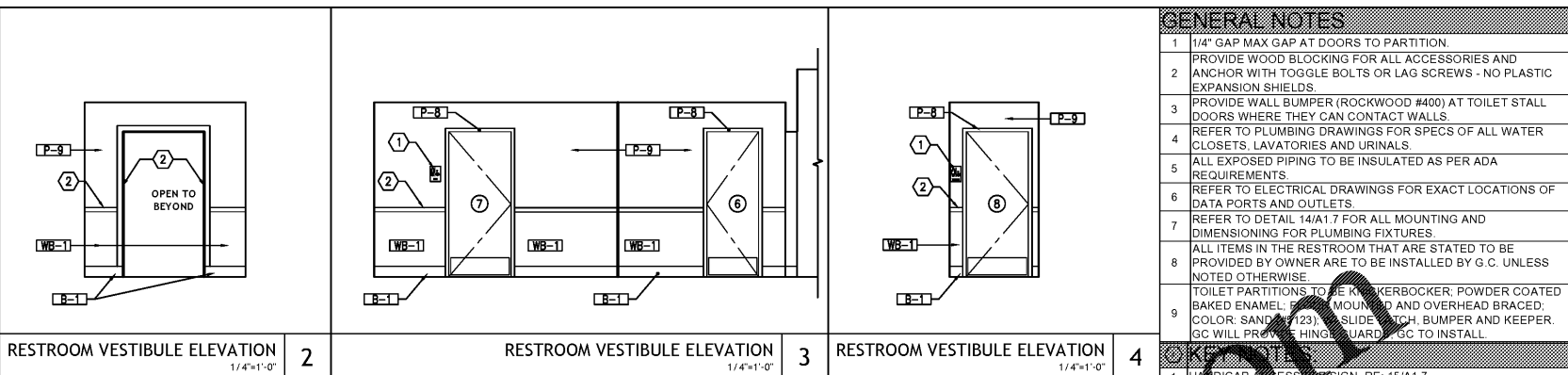


NOTE: ALL DIMENSIONS ARE FROM FINISH FACE



**GENERAL NOTES**

- 1/4" GAP MAX GAP AT DOORS TO PARTITION.
- PROVIDE WOOD BLOCKING FOR ALL ACCESSORIES AND ANCHOR WITH TOGGLE BOLTS OR LAG SCREWS - NO PLASTIC EXPANSION SHIELDS.
- PROVIDE WALL BUMPER (ROCKWOOD #400) AT TOILET STALL DOORS WHERE THEY CAN CONTACT WALLS.
- REFER TO PLUMBING DRAWINGS FOR SPECS OF ALL WATER CLOSETS, LAVATORIES AND URINALS.
- ALL EXPOSED PIPING TO BE INSULATED AS PER ADA REQUIREMENTS.
- REFER TO ELECTRICAL DRAWINGS FOR EXACT LOCATIONS OF DATA PORTS AND OUTLETS.
- REFER TO DETAIL 14/A1.7 FOR ALL MOUNTING AND DIMENSIONING FOR PLUMBING FIXTURES.
- ALL ITEMS IN THE RESTROOM THAT ARE STATED TO BE PROVIDED BY OWNER ARE TO BE INSTALLED BY G.C. UNLESS NOTED OTHERWISE.
- TOILET PARTITIONS TO BE KNOXBOCKER, POWDER COATED BAKED ENAMEL, MOUNTED AND OVERHEAD BRACED. COLOR: SAND (#123). SLIDE LATCH, BUMPER AND KEEPER. GC WILL PROVIDE HINGE GUARD. GC TO INSTALL.

**TOILET ACCESSORY SCHEDULE**

TAG	ITEM	DESCRIPTION
TA1	GRAB BARS (36")	BOBRICK MODEL #B-6806 X 36
TA2	GRAB BARS (42")	BOBRICK MODEL #B-6806 X 42
TA3	DOUBLE TOILET TISSUE DISPENSER	SURFACE MOUNTED, PROVIDED BY OWNER
TA4	PAPER TOWEL DISPENSER	emOTION PAPER TOWEL DISPENSER. PROVIDED BY OWNER
TA5	SOAP DISPENSER	LAVATORY MOUNTED, PROVIDED BY OWNER
TA6	LAVATORIES	WALL MOUNTED LAVATORY, RE: PLUMBING
TA7	BABY CHANGING TABLE	BOBRICK KOALA KARE MODEL #KB101 (CREME)
TA8	FRAMED MIRROR (24X36)	#143-21, COLOR ESPRESSO (1" THICK)
TA9	TOILET PARTITION	BOBRICK WASHROOM EQUIPMENT. FOR ADDITIONAL INFORMATION, SEE NOTE 9
TA10	COAT HOOK	BOBRICK MODEL #B-212
TA11	FEMININE NAPKIN DISPOSAL	BOBRICK MODEL #B-254 (SURFACE)

**BASE**

TB-1	6" x 24" PORCELAIN TILE, WILLOW BEND COLOR, WB-03 DARK BROWN
RB-1	ECO-GRIP SLIP RESISTANT SAFETY FLOORING
RB-2	DC-8" RUBBER BASE w/ TOE

**WAINSCOT AND WALLS**

WB-1	CUSTOM SORELL WALLBOARD
LVT-2	VINYL WALL ACCENT
WT-1	SABLE WALL TILE, SIZE: 12X24
GMT-1	GLASS MOSAIC TILE (BLUE GLASS, SIZE: 12X12)
SS	STAINLESS STEEL PANELS
FRP-1	POLAR WHITE F.R.P.

**CEILING**

CT-1	WHITE 2x2 CEILING PANELS
CT-2	WHITE 2x4 CEILING PANELS (NON-PERFORATED)

**INTERIOR PAINT AND STAIN**

P-1	PURE WHITE (LATEX MATTE)
P-3	MEGA GREIGE (LATEX MATTE)
P-4	SCRUBTOUGH DOOR TRIM (MATCH P-3)
P-5	COPPER MOUNTAIN (LATEX MATTE)
P-6	DYNAMIC BLUE (LATEX MATTE)
P-7	BLUE CHIP (LATEX MATTE)
P-8	SCRUBTOUGH DOOR TRIM 'FOLKSTONE'
P-9	FIREWEED (RED) SATIN
WS-1	WOOD STAIN