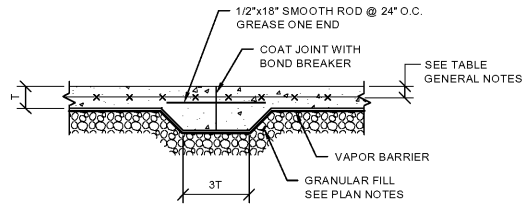
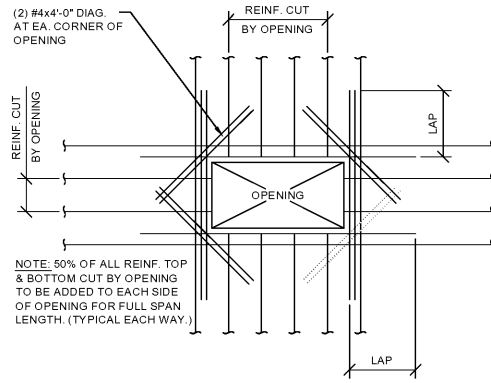


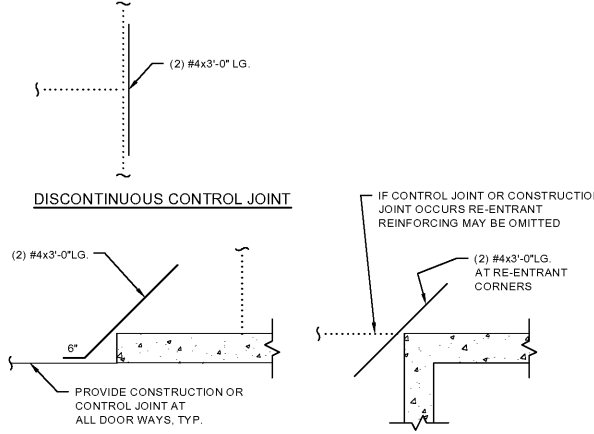
CONTROL JOINT
(SEE PLAN FOR LOCATIONS)



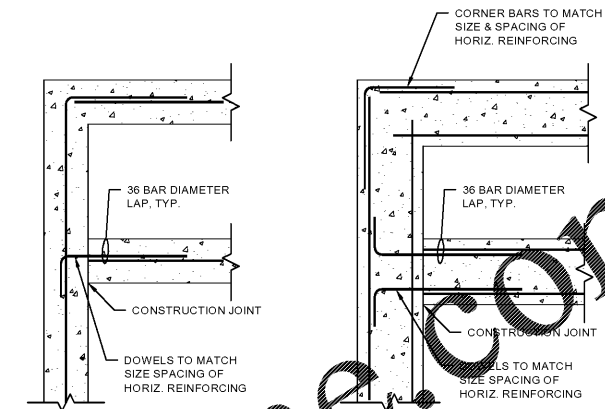
CONSTRUCTION JOINT



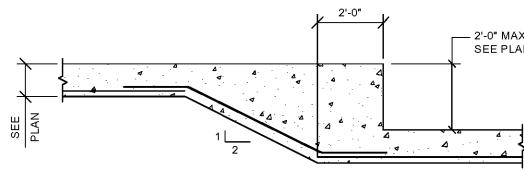
TYPICAL REINFORCING AT SLAB OR WALL OPENING DETAIL



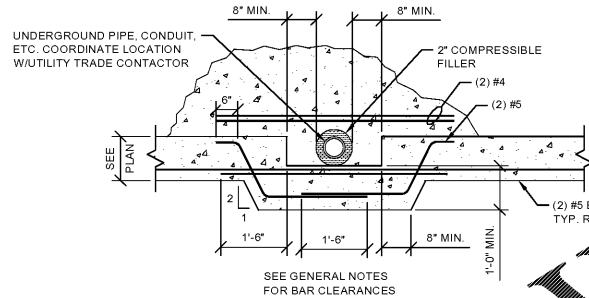
TYPICAL RE-ENTRANT AND DISCONTINUOUS CONTROL JOINT SLAB REINFORCING



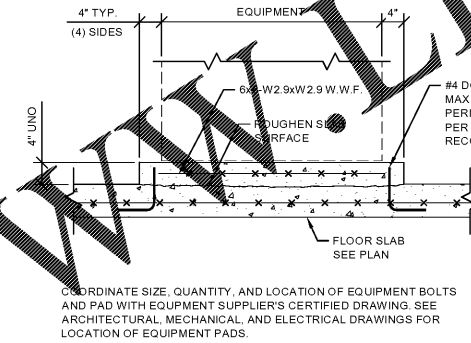
CONCRETE WALL HORIZONTAL REINFORCING DETAILS



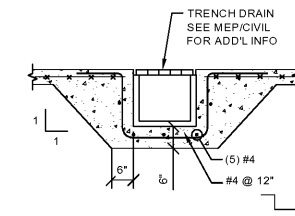
FOOTING STEP DETAIL



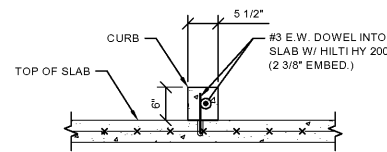
TYPICAL DETAIL AT UNDERGROUND UTILITY PENETRATION



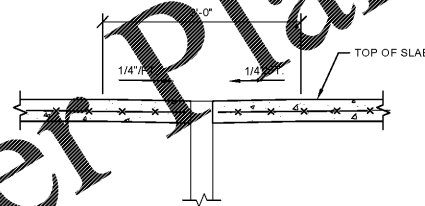
TYPICAL EQUIPMENT PAD DETAIL



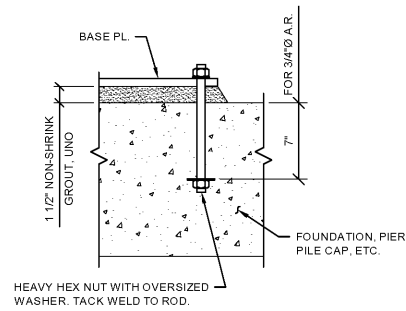
TYPICAL TRENCH DRAIN DETAIL



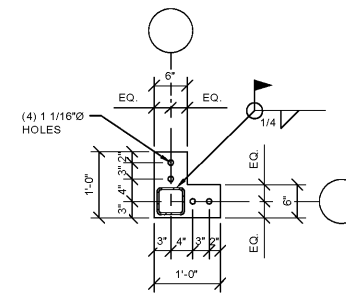
TYPICAL WALL CURB DETAIL



TYPICAL FLOOR DRAIN DETAIL



TYPICAL ANCHOR ROD DETAIL
(ASTM F1554 GR. 36)



TYPICAL BASE PLATE DETAIL

- CONTRACTOR MAY USE LEVELING NUTS OR LEVELING PLATES AT CONTRACTOR'S OPTION.
- AN INCREASE IN GROUT THICKNESS FOR LARGE BASE PLATES IS PERMISSIBLE IF APPROVED BY THE ENGINEER. COORDINATION DUE TO INCREASE IN GROUT THICKNESS FOR OTHER TRADES IS THE RESPONSIBILITY OF THE CONTRACTOR.

Order Plans @ WWW.IHOP.com

PROJECT NO.:	
DRAWN BY:	TBA
CHECKED BY:	TBA
ISSUED DATE:	05/02/19
ISSUED REVISIONS:	

3070 Highland Pte. Dr. Owensboro, KY 42303
IHOP Rise and Shine Prototype
TYPICAL DETAILS