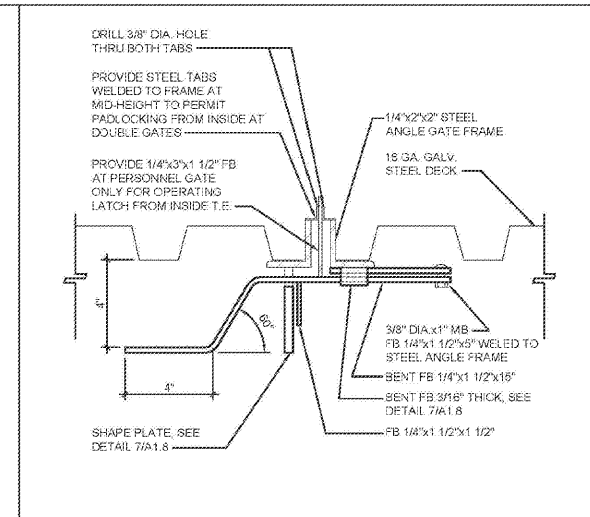
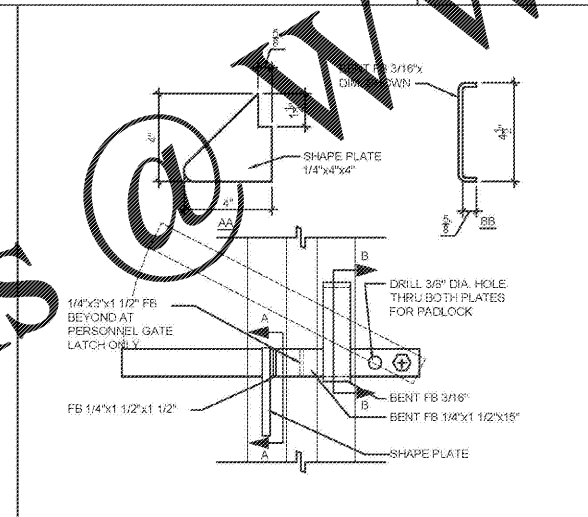
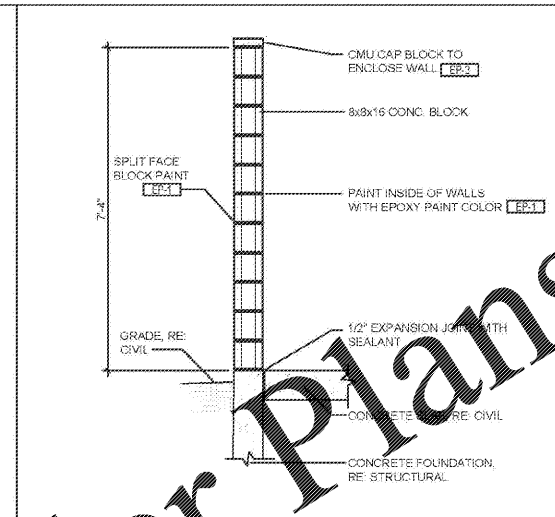
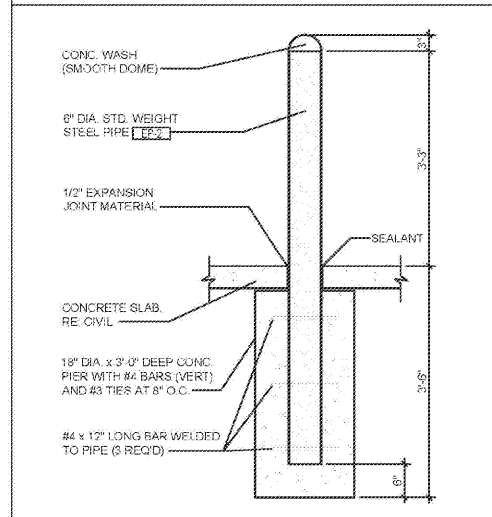
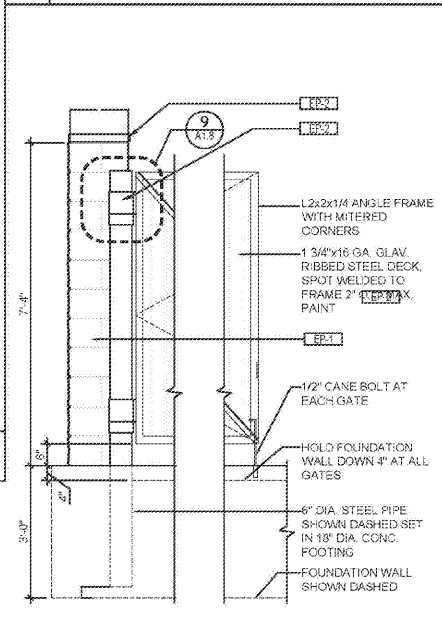


EXTERIOR PAINT	
EP-1	BALANCED BEIGE (LIGHT TAN)
EP-2	SYCAMORE TAN (MEDIUM TAN)
EP-3	FIREWORKS (RED)
EXTERIOR WALL FINISHES	
EFS-1	BALANCED BEIGE EIFS
EFS-2	SYCAMORE TAN EIFS
EFS-3	FIREWORKS RED EIFS
ST-1	GOLDEN BUCKEYE CULTURED STONE
ROOFING	
R-1	STANDING SEAM METAL ROOFING - AWARD BLUE
R-2	DUROLAST ROOFING
R-3	METAL COPING - BRONZE
MISC. EXTERIOR	
WP-1	WOOD FINISH WOOD SYSTEM
TR-1	TRIM REVEAL (MATCH EP-2)
FC-1	FABRIC AWNING "REGATTA"
SC-1	STAMPED CONCRETE
ASF-1	ALUMINUM STOREFRONT DK BRONZE

ENLARGED DUMPSTER ENCLOSURE PLAN 1/4"=1'-0" 2

FRONT ELEVATION 1/2"=1'-0" 3



GATE POST ELEVATION 1/2"=1'-0" 4

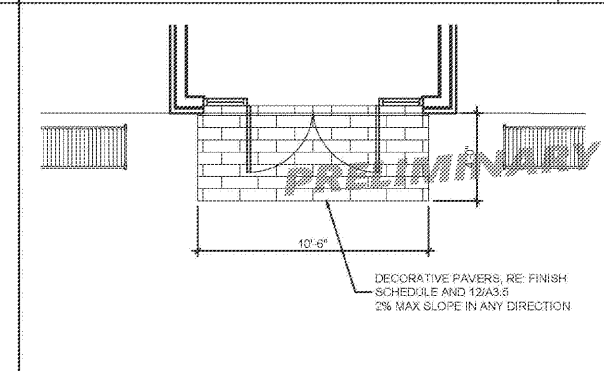
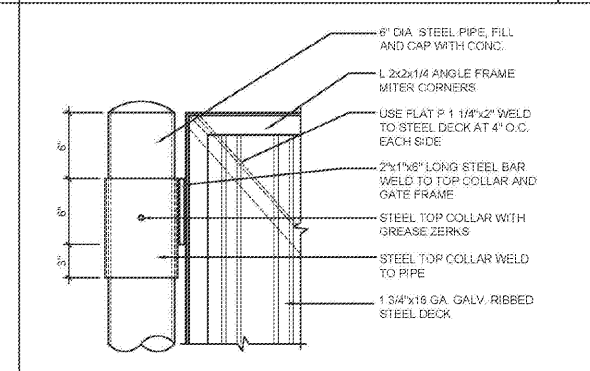
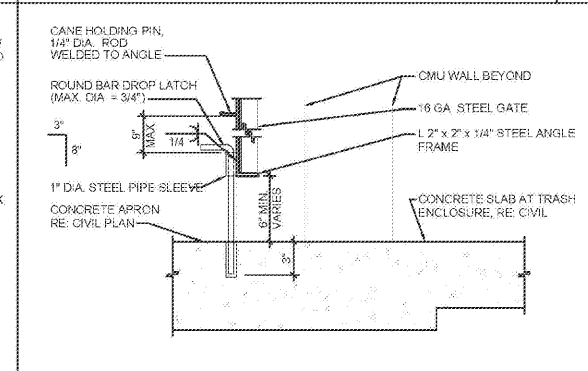
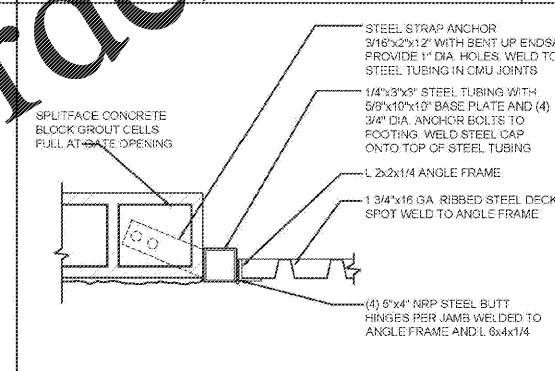
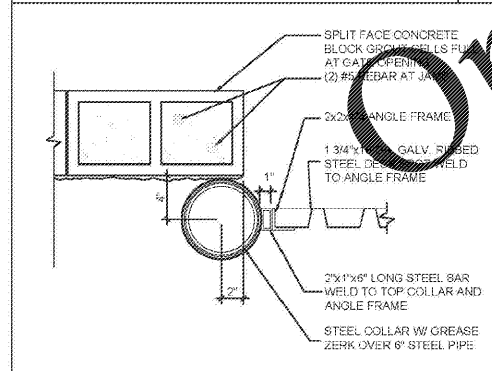
BOLLARD DETAIL 3/4"=1'-0" 5

WALL SECTION 1/2"=1'-0" 6

BAR LATCH ELEVATION 3"=1'-0" 7

BAR LATCH PLAN 3"=1'-0" 8

NOT USED 1/2"=1'-0" 9



GATE JAMB 1 1/2"=1'-0" 10

GATE JAMB 1 1/2"=1'-0" 11

DROP LATCH DETAIL 1 1/2"=1'-0" 12

GATE HINGE DETAIL 1 1/2"=1'-0" 13

FRONT ENTRY WALK PLAN NTS 14

WWW.LDOnline.com

Order Plans

Enlarged Dumpster and Details