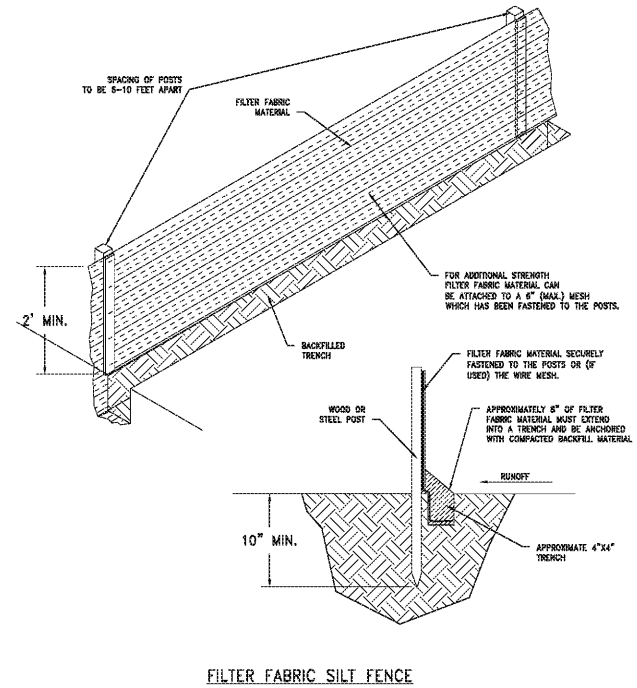
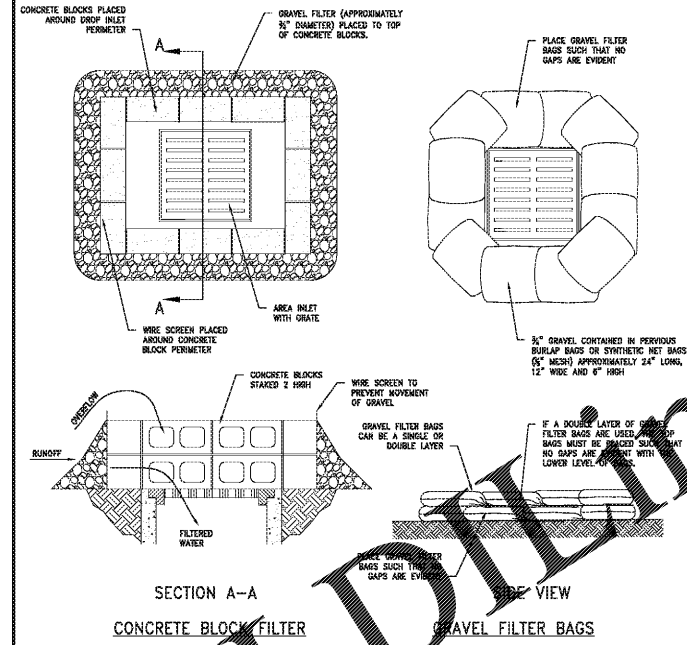


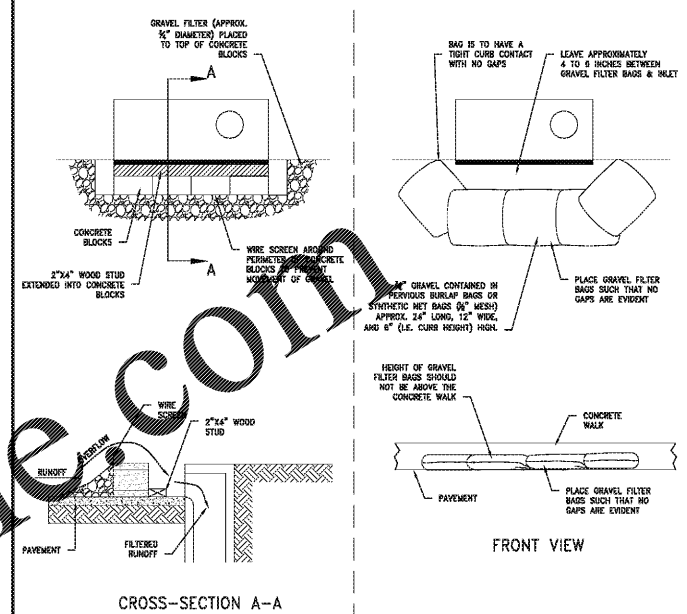
OWENSBORO METROPOLITAN
PUBLIC IMPROVEMENT SPECIFICATIONS
CHAPTER 11
EROSION PREVENTION AND
SEDIMENT CONTROL
DROP INLET PROTECTION
USING SILT FENCE
EXHIBIT NO. 11-3
NOT TO SCALE



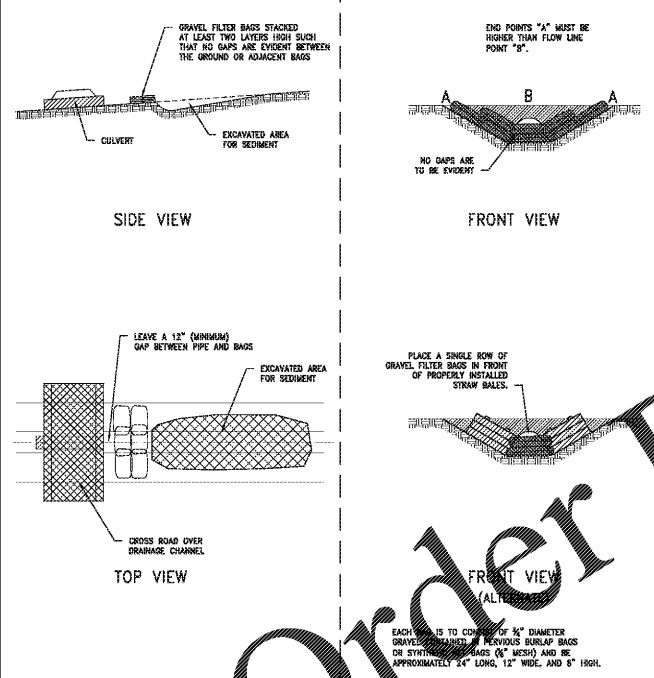
OWENSBORO METROPOLITAN
PUBLIC IMPROVEMENT SPECIFICATIONS
CHAPTER 11
EROSION PREVENTION AND
SEDIMENT CONTROL
INSTALLING A FILTER
FABRIC SILT FENCE
EXHIBIT NO. 11-5
NOT TO SCALE



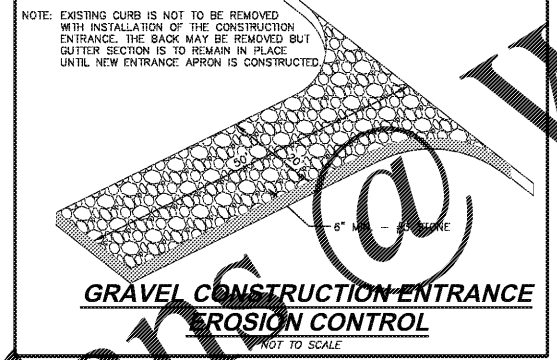
OWENSBORO METROPOLITAN
PUBLIC IMPROVEMENT SPECIFICATIONS
CHAPTER 11
EROSION PREVENTION AND
SEDIMENT CONTROL
GRAVEL FILTER
FOR AREA INLET
EXHIBIT NO. 11-6
NOTE: GRAVEL FILTERS MAY BE USED ON PAVEMENT OR BASE GROUND



OWENSBORO METROPOLITAN
PUBLIC IMPROVEMENT SPECIFICATIONS
CHAPTER 11
EROSION PREVENTION AND
SEDIMENT CONTROL
CURB INLET
GRAVEL FILTER
EXHIBIT NO. 11-7
NOT TO SCALE
NOTE: GRAVEL FILTERS MAY BE USED ON PAVEMENT OR BASE GROUND



OWENSBORO METROPOLITAN
PUBLIC IMPROVEMENT SPECIFICATIONS
CHAPTER 11
EROSION PREVENTION AND
SEDIMENT CONTROL
SMALL SEDIMENT TRAP LOCATED
WITHIN DRAINAGE CHANNEL
EXHIBIT NO. 11-9
NOT TO SCALE



Order Plans @

OWNER/DEVELOPER
RIVER ROAD RESTAURANT, LLC
417 MAIN STREET
NATCHEZ, MS 39120

REVISIONS			
NO.	DATE	DESCRIPTION	BY

EROSION CONTROL DETAILS

IHOP
3080 HIGHLAND POINTE DRIVE

DATE: MM-DD-YYYY
SCALE: N.T.S.
JOB NO.: 19-5953
SHEET
C8.1



PRELIMINARY