

FLEXSTORM PURE FILTERS FOR PERMANENT INLET PROTECTION
 PRODUCT SELECTION AND SPECIFICATION DRAWING

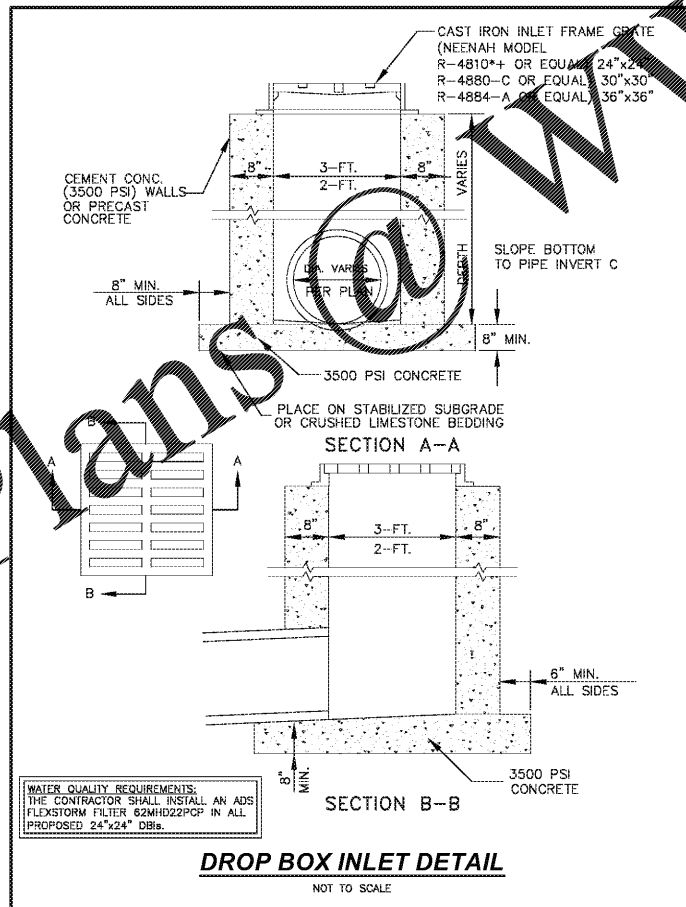
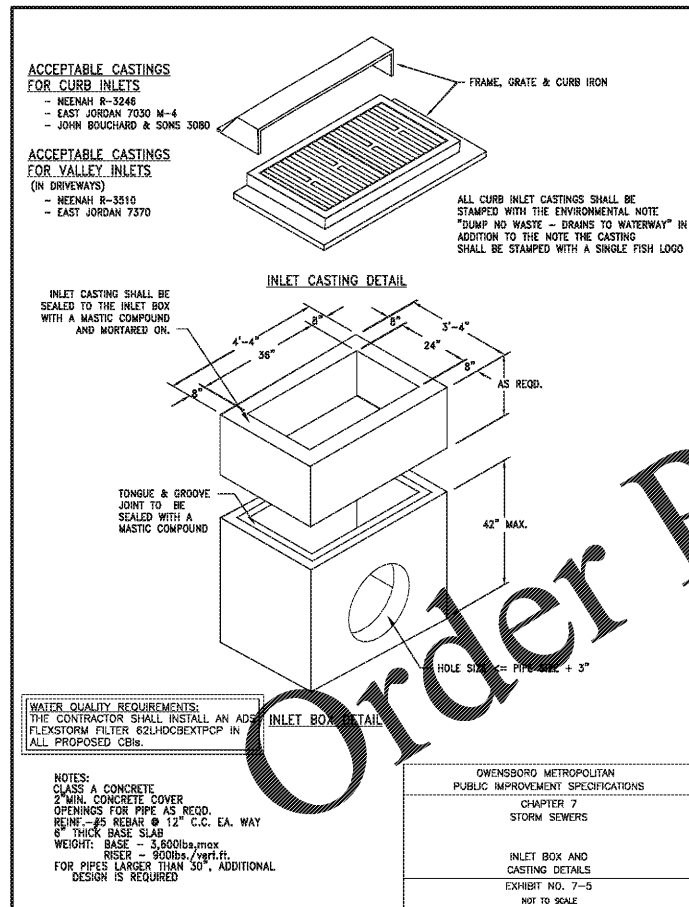
Product Selection for FLEXSTORM PURE Filters (Permanent Inlet Protection)

CASTING	Inlet Type	Grate Size	Opening Size	Flow Rate (GPM)	Flow Rate (CFS)	Contractor Price
Neenah 3246	Curb Box (CB)	35.5 x 40.0	33.0 x 16.0	3.8	1.9	5.3
Neenah 4810	Concrete Box (HD)	24 x 24	22 x 22	3.2	0.8	5.60
Neenah 4880	Square (SQ)	28 x 28	26 x 26	5.0	2.0	6.0
Neenah 4880-C	Concrete Box (HD)	30 x 30	28 x 28	5.0	1.8	5.0
Neenah 4880-C	Concrete Box (HD)	32 x 32	30 x 30	5.7	2.2	6.5
Neenah 4884	Square (SQ)	36 x 36	34 x 34	7.2	3.2	9.6

INSTALLATION:
 1. REMOVE GRATE
 2. DROP FLEXSTORM PURE FILTER INTO LOW POINT OF CASTING OR CONCRETE STRUCTURE
 3. REPLACE GRATE

NOTES:
 1. THIS IS CONSTRUCTED FOR 25 YEAR SERVICE LIFE.
 2. TOTAL CAPACITY SHOULD BE DETERMINED TO MEET DESIRED FLOW OF PARTICULATES.
 3. UPON ORDERING AND CONSTRUCTION OF THE DOT CALICUT FLEXSTORM PURE FILTER, CHECK FOR DIMENSIONS. THE FILTER DIMENSIONS SHOULD BE PROVIDED.
 4. MAINTENANCE SPECIFICATIONS AND MAINTENANCE GUIDELINES VISIT WWW.FLEXSTORM.COM

ALL PRODUCTS MANUFACTURED BY INLET & PIPE PROTECTION, INC. A DIVISION OF IPI, INC. WWW.IPI-TPS.COM
 (800) 355-5177 FAX (800) 355-5177 FAX INFO@IPI-TPS.COM



FLEXSTORM OPERATION & MAINTENANCE PLAN

Installation Instructions:

- Remove the grate from the casting or concrete drainage structure.
- Clean the ledge (lip) of the casting frame or drainage structure to ensure it is free of stone and dirt.
- Drop in the FLEXSTORM Inlet Filter through the clear opening and be sure the suspension hangers rest firmly on the inside ledge (lip) of the casting.
- Replace the grate and confirm it is elevated no more than 1/8", which is the thickness of the steel hangers.

Frequency of Inspections:

- Construction site inspection should occur following each 1/2" or more rain event.
- Post Construction inspections should occur three times per year (every four months) in areas with mild year round rainfall and four times per year (every three months Feb-Nov) in areas with summer rains before and after the winter snowfall season.
- Industrial application site inspections (loading ramps, wash racks, maintenance facilities) should occur on a regularly scheduled basis no less than three times per year.

Maintenance Guidelines:

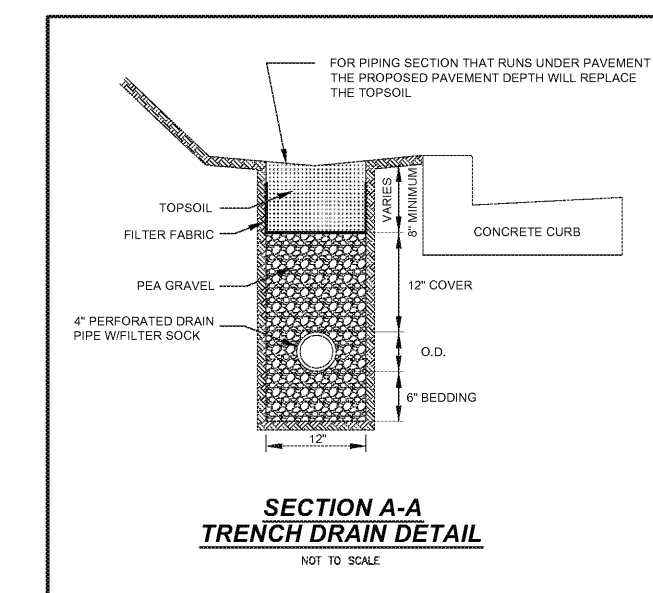
- Empty the sediment bag if more than half filled with sediment and debris, or as directed by the Engineer.
- Remove the gate, engage the lifting bars or handles with the FLEXSTORM Removal Tool, and lift from the drainage structure.
- Dispose of the sediment or debris as directed by the Engineer or Maintenance Contract in accordance with EPA guidelines.
- As an alternative, an industrial vacuum may be used to collect the accumulated sediment.
- Remove any caked on silt from the sediment bag and reverse flush the bag with medium spray for optimal filtration.
- Replace the bag if torn or punctured to 1/2" diameter or greater on the lower half of the bag.
- Post Construction PC Bags maint: At 50% saturation, the average 2' x 2' Absorbent lined PC filter will retain approx 75 oz (4.7 lbs) of oil and should be reworked or replaced. It can be centrifuged or passed through a wringer to recover the oil, and the fabric reused with 85% to 90% efficiency. It may also be recycled for its fuel value through waste to energy incineration.
- MyCox Skimmer Pouches: The skimmers start yellow in color and will gradually turn brown as they become saturated, indicating time for replacement. Each MyCox skimmer pouch will absorb approximately 88 oz (5 lbs) of oil before requiring replacement.
- Dispose of all oil contaminated products in accordance with EPA guidelines.

Sediment Bag Replacement:

- Remove the bag by loosening or cutting off the damping band.
- Take the new sediment bag, which is equipped with a stainless steel worm drive clamping band, and use a screw driver to tighten the bag around the frame channel.
- Ensure the bag is secure and that there is no slack around the perimeter of the band.

STRUCTURE ID#/LOCATION:

DATE	TASK PERFORMED	INSPECTOR



OWNER/DEVELOPER
RIVER ROAD RESTAURANT, LLC
 417 MAIN STREET
 NATCHEZ, MS 39120

REVISIONS

NO.	DATE	DESCRIPTION	BY

MISCELLANEOUS DETAILS

IHOP
 3080 HIGHLAND POINTE DRIVE

DATE: MM-DD-YYYY
 SCALE: N.T.S.
 JOB NO.: 19-5953
 SHEET **C8.0**

