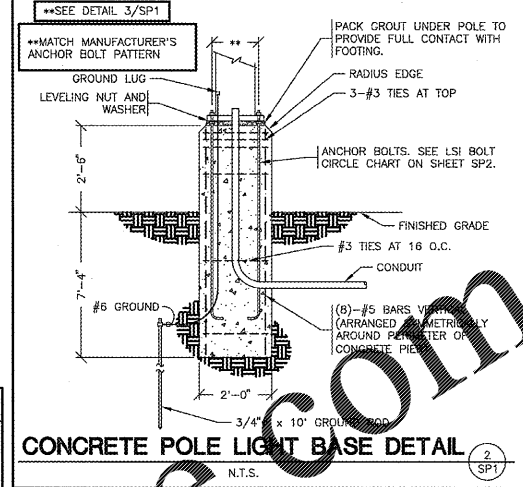
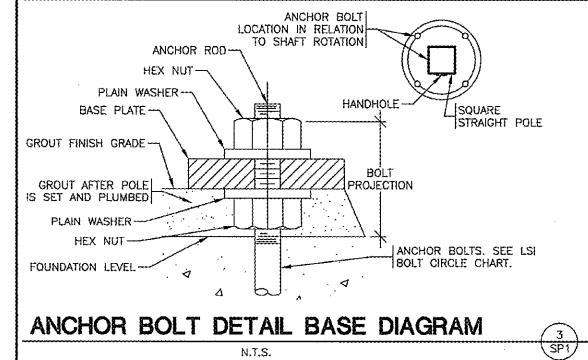
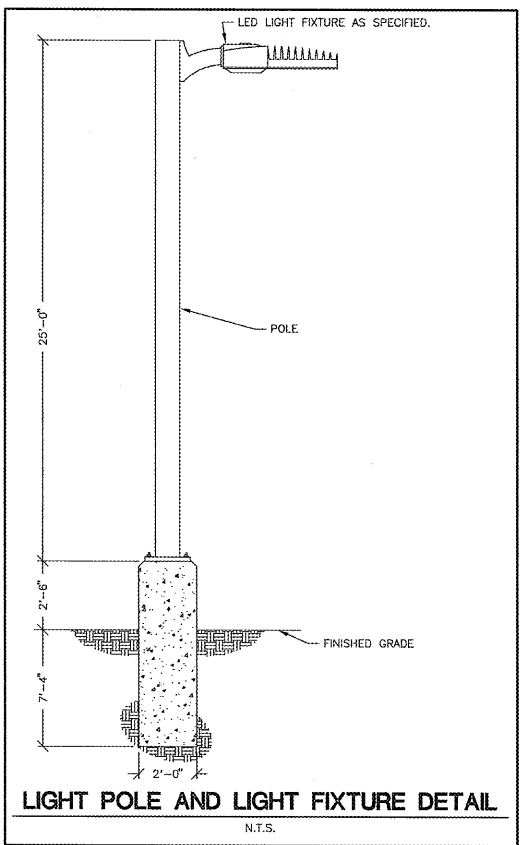


RECEIVED
NOV 01 2018
17336 EAST SPRINGFIELD, MISSOURI 65802



EXTERIOR LIGHT FIXTURE SCHEDULE

ALL ITEMS LISTED ON THE "LIGHT FIXTURE SCHEDULE" WILL BE SUPPLIED BY THE OWNER (O'REILLY). ITEMS SHALL BE DIRECT ORDERED AND/OR RELEASED FROM THE LISTED ELECTRICAL EQUIPMENT DISTRIBUTOR.

GRAYBAR ELECTRIC CO. INC.
11885 LACKLAND ROAD
ST. LOUIS, MO 63146

GRAYBAR O'REILLY TEAM
EMAIL: oreilly@graybar.com
TOLL FREE: (314) 573-2080

MARK	MFR.	CATALOG NUMBER	SUPPLY VOLTAGE	FINISH	MOUNTING				WATTAGE	NOTES
					SURFACE WALL	SURF. CEILING	OTHER	LAMPS TYPE		
LED EXTERIOR LIGHTS										
WS1	LSI	XWM-FT-LED-06L-50-UE-BRZ NO SUBSTITUTIONS	120	DARK BRONZE	X			X	59	ARCHITECTURAL ELEVATIONS SHOW DIMENSIONS AND LOCATIONS.
LED POLE LIGHTS										
P1	LSI	MRM-LED-1BL-SL-3-LNV-DIM-50-BOCR-BRZ-IL	120	DARK BRONZE		X		X	150	25' POLE LENGTH. FULL CUT-OFF. NO SUBSTITUTIONS. ANCHOR BOLTS W/ HARDWARE & TEMPLATE WITH INTERNAL LOUVER. BASE SIDE REFIELD.

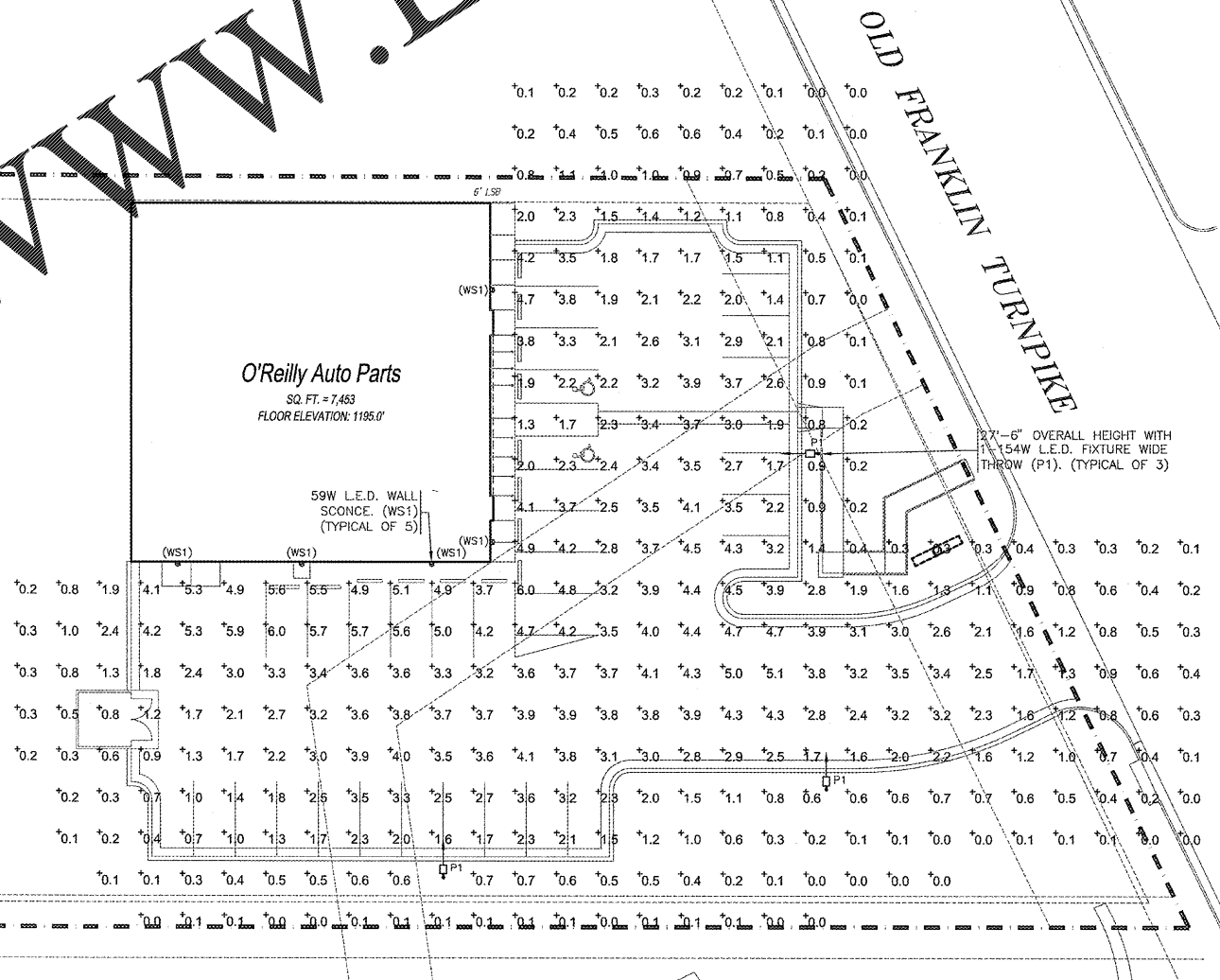
FIXTURE QUANTITY TO BE VERIFIED WITH SITE PLAN QUANTITY

Order Plans @ WWW.LDLINE.COM

AUTOMATIC LIGHTING CONTROL

COMPLIANCE WITH ENERGY CODE IS ACHIEVED BY:

- ONCE THE EMS HAS BEEN PROGRAMMED, THE INTERIOR AND EXTERIOR LIGHTS WILL TURN ON AND OFF USING THE FOLLOWING LOGIC: SEE EM SHEETS.
 - INTERIOR WORK LIGHTS WILL TURN ON WITH FIRST MOTION IN THE STORE AND WILL TURN OFF 15 MINUTES AFTER LAST MOTION ONCE THE STORE IS CLOSED.
 - INTERIOR SALES LIGHTS WILL TURN ON AT STORE OPENING AND TURN OFF 15 MINUTES AFTER STORE CLOSING.
 - EXTERIOR SIGN LIGHTS WILL TURN ON WHEN IT IS DARK ENOUGH OUTSIDE ANYTIME DURING STORE HOURS, AND WILL TURN OFF AT STORE CLOSING.
 - EXTERIOR SITE LIGHTS WILL TURN ON WHEN IT IS DARK ENOUGH OUTSIDE AND IT IS WITHIN STORE HOURS OR THERE IS MOTION IN THE STORE. THEY WILL TURN OFF 30 MINUTES AFTER LAST MOTION ONCE THE STORE IS CLOSED.
 - FOR NEW CONSTRUCTION LOCATIONS ONLY, THERE IS A TEMPORARY PROGRAM TO KEEP SIGN AND SITE LIGHTS ON UNTIL NIGHTTIME RATHER THAN THE TIMES INDICATED ABOVE. O'REILLY WILL DISABLE THIS PROGRAM ONE YEAR AFTER STORE OPENING.
- RESTROOMS AND OFFICES: ALL LIGHTING IN THESE AREAS ARE CONTROLLED BY OCCUPANT-SENSING DEVICES.



SITE PHOTOMETRIC PLAN
SCALE: 1"=20'



CRAIG A. SCHNEIDER, AIA
ARCHITECT
1736 EAST SPRINGFIELD, SUITE 417
SPRINGFIELD, MISSOURI 65804
417.962.6558
417.962.3265
E-MAIL: architect@esterlytechinc.com

PROJECT:
NEW O'REILLY AUTO PARTS STORE
OLD FRANKLIN TURNPIKE
ROCKY MOUNT, VA
SITE PHOTOMETRIC PLAN

O'Reilly AUTO PARTS
CORPORATE OFFICES
233 SOUTH PATTERSON
SPRINGFIELD, MISSOURI 65802
(417) 862-2674 TELEPHONE

COMM # 4252
DATE: 11-2-18
REVISION DATE: