



CRAIG A. SCHNEIDER, AIA
ARCHITECT
 1736 East Sunning, Suite 417
 Springfield, Missouri 65884
 e-mail: architect@esteytschneider.com

PROJECT:
NEW O'REILLY AUTO PARTS STORE
OLD FRANKLIN TURNPIKE
ROCKY MOUNT, VA
EXTERIOR ELEVATIONS

O'Reilly AUTO PARTS
 CORPORATE OFFICES
 10000 W. WILSON ROAD
 SPRINGFIELD, MISSOURI 65802
 (417) 862-2674 TELEPHONE

COMM #	
DATE:	11-2-18
REVISION	
DATE:	

A2.1

EXTERIOR FINISH SCHEDULE

EXTERIOR INSULATION AND FINISH SYSTEM (EIFS)
KEY NOTE NO. 1:
 MFG: DRYVIT SPECIFIED. EQUAL BY STO OR BASF (NO SUBSTITUTES)
 SERIES: OUTSULATION PLUS MD
 TEXTURE: SANDBLAST
 COLOR: DRYVIT "ORAP0110305" STRATOTONE HIGH PERFORMANCE
 COLOR STANDARD: SHERWIN WILLIAMS "POSITIVE RED" SW6871 (SHER-CRYL) GLOSS

UNIT MASONRY
KEY NOTE NO. 2A:
 TYPE: CONCRETE MASONRY UNIT (CMU)
 MFG: (REFER TO PROJECT MANUAL)
 SIZE: 8"X8"X16" (NOM.)
 TEXTURE: SMOOTH FACE SINGLE SCORE
 COURSING: RUNNING BOND
 FINISH: FIELD PAINT (ACCENT COLOR)
 COLOR: SHERWIN WILLIAMS "SOFTER TAN" SW6141 (SEMI-GLOSS)
COATS:
 (1) COAT SW "PREPRITE" BLOCK FILLER B25W25 (NO LESS THAN 8 MILS) AND (2) COATS SW "CONFLX XL" SMOOTH ELASTOMERIC A5-400 (NO LESS THAN 5.7 MILS EACH COAT)

COATS (COLD WEATHER APPLICATIONS):
 (1) COAT SW "LOXON BLOCK SURFACER" (NO LESS THAN 8 MILS) AND (2) COATS SW "ULTRACRETE" SOLVENT BORNE SMOOTH B46 (NO LESS THAN 8 MILS EACH COAT OR 16 MILS TOTAL)

KEY NOTE NO. 2B:
 TYPE: CONCRETE MASONRY UNIT (CMU)
 MFG: (REFER TO PROJECT MANUAL)
 SIZE: 8"X8"X16" (NOM.)
 TEXTURE: SPLIT FACE
 COURSING: RUNNING BOND
 FINISH: FIELD PAINT (FIELD COLOR)
 COLOR: SHERWIN WILLIAMS "LATTE" SW6103 (SEMI-GLOSS)
COATS:
 (1) COAT SW "PREPRITE" BLOCK FILLER B25W25 (NO LESS THAN 8 MILS) AND (2) COATS SW "CONFLX XL" SMOOTH ELASTOMERIC A5-400 (NO LESS THAN 5.7 MILS EACH COAT)

COATS (COLD WEATHER APPLICATIONS):
 (1) COAT SW "LOXON BLOCK SURFACER" (NO LESS THAN 8 MILS) AND (2) COATS SW "ULTRACRETE" SOLVENT BORNE SMOOTH B46 (NO LESS THAN 8 MILS EACH COAT OR 16 MILS TOTAL)

FLASHINGS AND SHEET METAL
KEY NOTE NO. 3:
 TYPE: STANDING SEAM ROOFING SYSTEM
 MFG: (REFER TO PRE-ENGINEERED METAL BUILDING SHOP DRAWINGS)
 COLOR: GALVALUME

KEY NOTE NO. 4:
 TYPE: CAP FLASHING AT MASONRY
 MFG: (REFER TO PRE-ENGINEERED METAL BUILDING SHOP DRAWINGS)
 FINISH: PREFINISHED
 COLOR: EQUAL TO BUTLER BUILDING "COOL BIRCH WHITE"

KEY NOTE NO. 5:
 TYPE: CAP FLASHING AT EXTERIOR INSULATION FINISH SYSTEM (EIFS)
 MFG: (REFER TO PRE-ENGINEERED METAL BUILDING SHOP DRAWINGS)
 FINISH: FACTORY PRIMED AND FIELD PAINT
 COLOR: SHERWIN WILLIAMS "POSITIVE RED" SW6871 (SHER-CRYL) GLOSS WITH SHERWIN WILLIAMS THREE COMPONENT (B65T105 / B65V105 / B65C105) CLEAR URETHANE

KEY NOTE NO. 6:
 TYPE: GUTTER AND DOWNSPOUTS
 MFG: (REFER TO PRE-ENGINEERED METAL BUILDING SHOP DRAWINGS)
 FINISH: PREFINISHED
 COLOR: EQUAL TO BUTLER BUILDING "COOL BIRCH WHITE"

DOORS AND WINDOWS
KEY NOTE NO. 12:
 TYPE: STEEL DOORS AND FRAMES (DOORS NO. 2 AND 7)
 MFG: (OWNER FURNISHED / CONTRACTOR INSTALLED)
 FINISH: FACTORY PRIMED AND FIELD PAINTED
 COLOR: SHERWIN WILLIAMS (MATCH ADJACENT MASONRY COLOR) (SEMI-GLOSS)

KEY NOTE NO. 13:
 TYPE: (REFER TO WINDOW SCHEDULE)
 MFG: EPCO, KAWNEER, OR OLD CASTLE (VISTA WALL). (NO SUBSTITUTES)
 COLOR: EPCO "IVY", KAWNEER "DARK IVY", VISTA WALL "INTERSTATE GREEN"

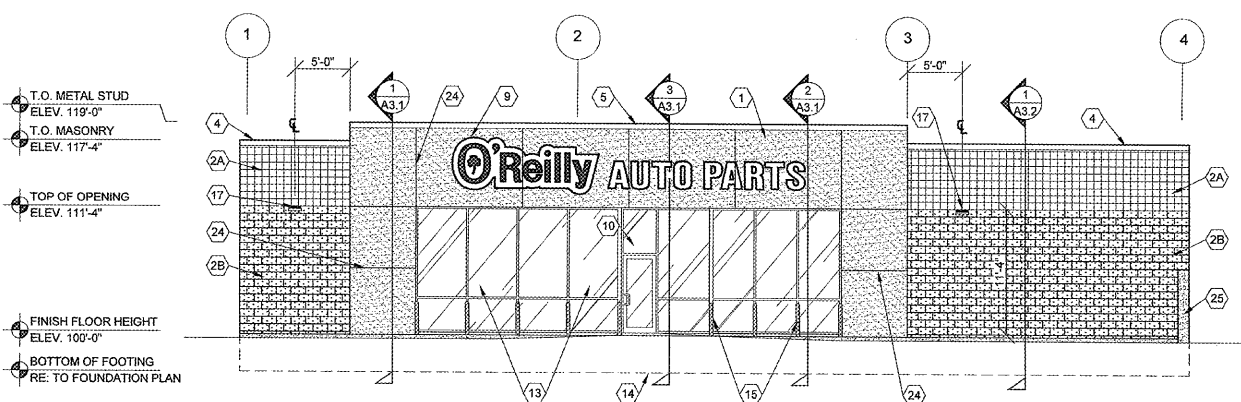
PAINTING
KEY NOTE NO. 15:
 TYPE: STEEL BOLLARDS (REFER TO CIVIL DRAWINGS)
 FINISH: FIELD PRIME AND PAINT
 COLOR: SHERWIN WILLIAMS "HUNT CLUB" SW6468 (SEMI-GLOSS)

GENERAL NOTES

- (A) REFER TO PROJECT MANUAL FOR ADDITIONAL REQUIREMENTS.
- (B) REFER TO CIVIL DRAWINGS FOR ADDITIONAL REQUIREMENTS.
- (C) REFER TO PLUMBING, MECHANICAL, AND ELECTRICAL DRAWINGS FOR SYSTEM TYPES AND ADDITIONAL REQUIREMENTS.
- (D) REFER TO EXTERIOR FINISH SCHEDULE FOR MATERIAL TYPES.
- (E) REFER TO PRE-ENGINEERED METAL BUILDING SHOP DRAWINGS FOR ADDITIONAL REQUIREMENTS.
- (F) REFER TO SCOPE OF WORK SCHEDULE FOR ADDITIONAL REQUIREMENTS.

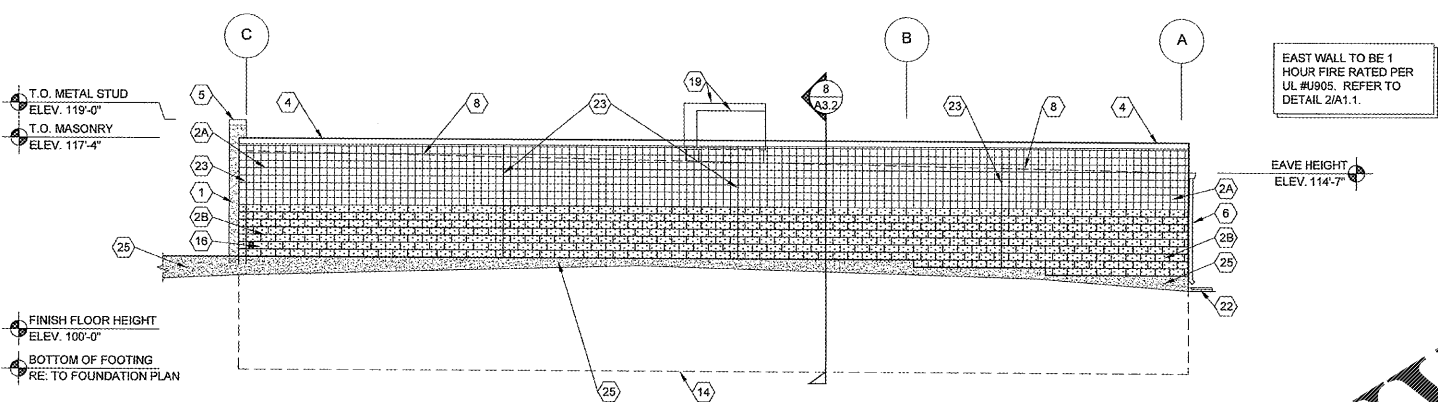
KEY NOTES

- (1) EXTERIOR INSULATION AND FINISH SYSTEM (EIFS).
- (2) CONCRETE MASONRY UNIT (CMU) EXTERIOR WALL CONSTRUCTION (ACCENT COLOR). REFER TO PLANS, SECTIONS, AND DETAILS FOR ADDITIONAL REQUIREMENTS.
- (2B) CONCRETE MASONRY UNIT (CMU) EXTERIOR WALL CONSTRUCTION (FIELD COLOR). REFER TO PLANS, SECTIONS, AND DETAILS FOR ADDITIONAL REQUIREMENTS.
- (3) PRE-ENGINEERED METAL BUILDING SHEET METAL ROOFING SYSTEM.
- (4) PRE-ENGINEERED METAL BUILDING SHEET METAL FLASHING (AT MASONRY)
- (5) PRE-ENGINEERED METAL BUILDING SHEET METAL FLASHING (AT EIFS)
- (6) PRE-ENGINEERED METAL BUILDING SHEET METAL GUTTER AND DOWNSPOUT SYSTEM.
- (7) CONCRETE MASONRY UNIT (CMU) CORNER FINISHED JAMB UNIT.
- (8) LINE OF ROOF BEYOND WITH 1/4":12" SLOPE MINIMUM.
- (9) SURFACE MOUNTED SIGN OWNER FURNISHED AND INSTALLED. PROVIDE BACKING FOR MOUNTING AND ROUGH-IN ELECTRICAL COORDINATE REQUIREMENTS WITH OWNER. REFER TO SHEET SG2.1.
- (10) BUILDING ADDRESS NUMBERS IN 6" HIGH HELVETICA WHITE VINYL ADHERED TO EXTERIOR FACE OF GLAZING.
- (11) (NOT USED).
- (12) EXTERIOR DOOR AND FRAME SYSTEM. REFER TO FLOOR PLAN AND DOOR SCHEDULE FOR TYPES.
- (13) EXTERIOR WINDOW SYSTEM. REFER TO FLOOR PLAN AND WINDOW SCHEDULE FOR TYPES.
- (14) APPROXIMATE LINE OF FOUNDATION, REFER TO STRUCTURAL DRAWINGS.
- (15) STEEL BOLLARDS, REFER TO CIVIL AND STRUCTURAL DRAWINGS.
- (16) HOSE BIB, REFER TO PLUMBING DRAWINGS.
- (17) LIGHT FIXTURE, REFER TO ELECTRICAL DRAWINGS.
- (18) (NOT USED).
- (19) MECHANICAL ROOF TOP UNIT, REFER TO MECHANICAL DRAWINGS.
- (20) MECHANICAL WALL PENETRATIONS, REFER TO MECHANICAL DRAWINGS. PROVIDE FRAMING, FLASHING, AND SEALANT AS REQUIRED. INSTALL RESTROOM EXHAUST FANS 12" MINIMUM ABOVE INTERIOR CEILING FRAMING.
- (21) PLUMBING ROOF VENT, REFER TO PLUMBING DRAWINGS AND DETAIL 11/A4.2.
- (22) DOWNSPOUT COLLECTION SYSTEM, REFER TO CIVIL GRADING PLAN.
- (23) MASONRY CONTROL JOINT. REFER TO STRUCTURAL DRAWINGS. PROVIDE SEALANT OVER 1/2" DIAMETER FOAM BACKER ROD.
- (24) RUSTICATION JOINT, REFER TO DETAIL 8/A3.2.
- (25) RETAINING WALL. REFER TO STRUCTURAL.



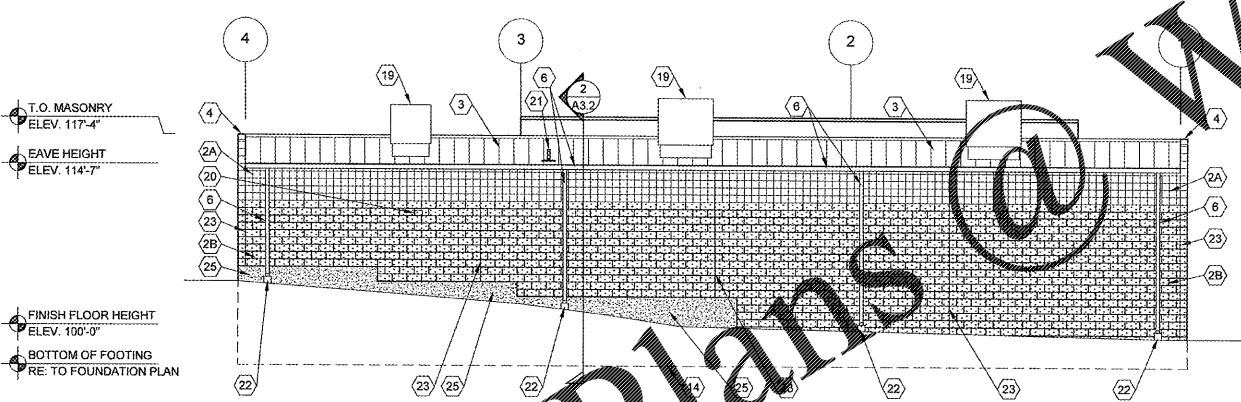
1 SOUTH EXTERIOR ELEVATION

A2.1 SCALE: 1/8" = 1'-0"



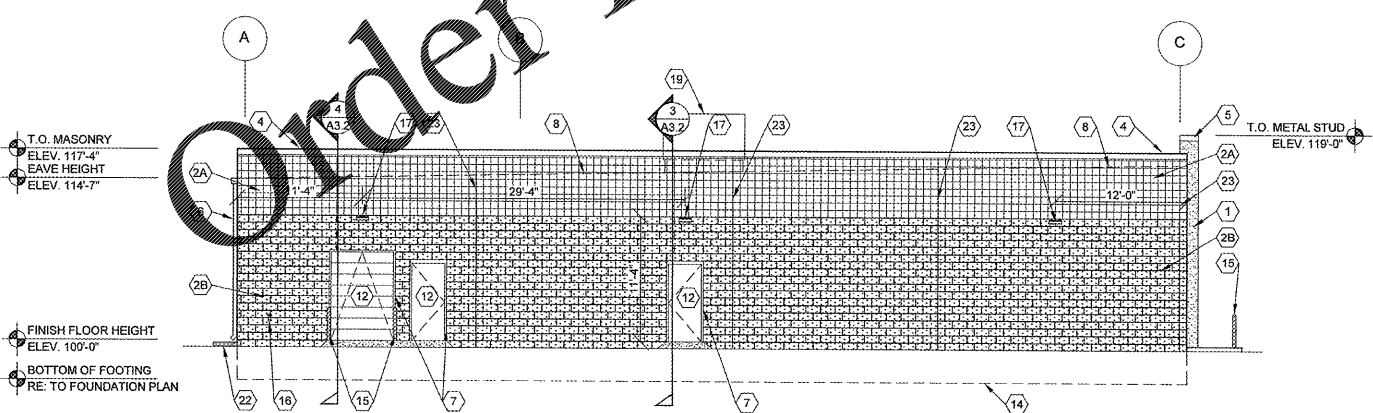
2 EAST EXTERIOR ELEVATION

A2.1 SCALE: 1/8" = 1'-0"



3 NORTH EXTERIOR ELEVATION

A2.1 SCALE: 1/8" = 1'-0"



4 WEST EXTERIOR ELEVATION

A2.1 SCALE: 1/8" = 1'-0"